



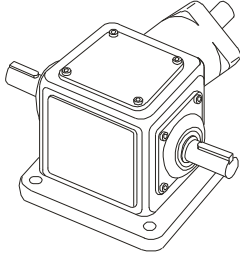
| 目录               | 页面      | Contents                              | Page    |
|------------------|---------|---------------------------------------|---------|
| <b>T系列伞齿轮转向器</b> |         | <b>T series Bevel Gear Redirector</b> |         |
| 产品外形             | 175-175 | Products Figure                       | 175-175 |
| 型号标记             | 176-176 | Designation                           | 176-176 |
| 安装位置             | 177-180 | Mounting Position                     | 177-180 |
| 技术参数             | 181-184 | Technical Data                        | 181-184 |
| 安装尺寸             | 185-189 | Mounting Dimensions                   | 185-189 |



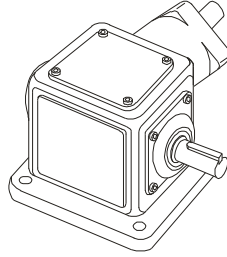
产品外形

Products Figure

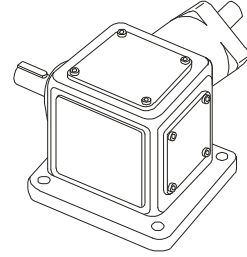
L-LR..



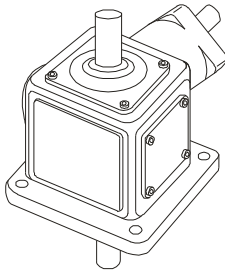
L-L..



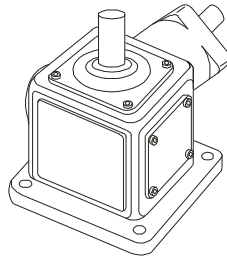
L-R..



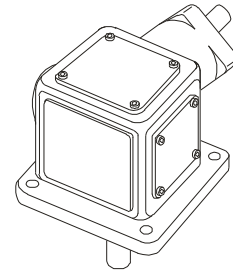
L-UD..



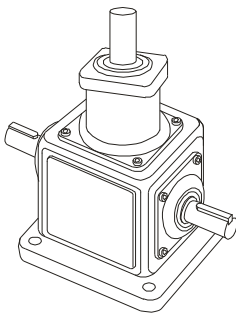
L-U..



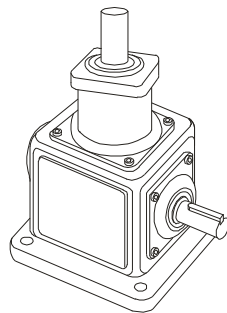
L-D..



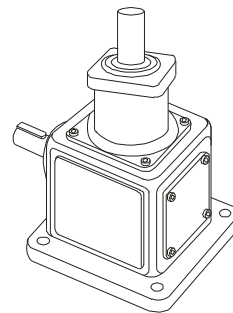
U-LR..



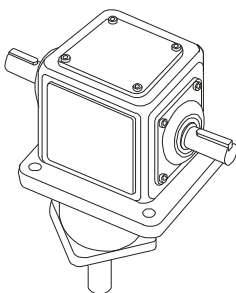
U-L..



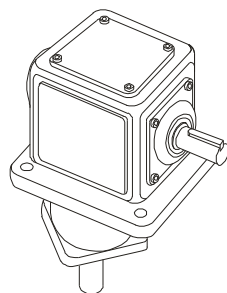
U-R..



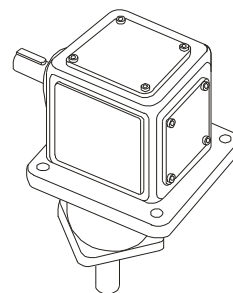
D-LR..



D-L..

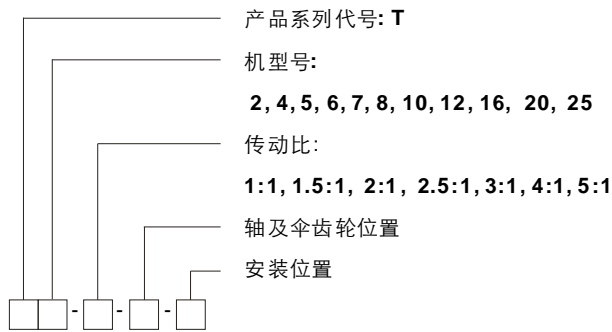


D-R..





## 型号标记



### 标记示例

- A T2-1:1-L-LR-M1**  
机型号T2, 传动比1:1, 水平输入 (L), 轴及伞齿轮位置LR, 安装位置M1
- B T4-2:1-L-U-M2**  
机型号T4, 传动比2:1, 水平输入 (L), 轴及伞齿轮位置U, 安装位置M2
- C T6-2.5:1-U-R-O-M5**  
机型号T6, 传动比2.5:1, 顶端输入 (U), 轴及伞齿轮位置R-O, 安装位置M5
- D T8-3:1-D-L-M3**  
机型号T8, 传动比3:1, 底端输入 (D), 轴及伞齿轮位置L, 安装位置M3

## Designation

Products series code  
gear unit size:  
2, 4, 5, 6, 7, 8, 10, 12, 16, 20, 25  
transmission ratio  
1:1, 1.5:1, 2:1, 2.5:1, 3:1, 4:1, 5:1  
shaft and bevel gear position  
mounting position

### Sign Example

- A T2-1:1-L-LR-M1**  
gear unit size T2, transmission ratio 1:1, horizontal input(L), shaft and bevel gear position LR, mounting position M1
- B T4-2:1-L-U-M2**  
gear unit size T4, transmission ratio 2:1, horizontal input(L), shaft and bevel gear position U, mounting position M2
- C T6-2.5:1-U-R-O-M5**  
gear unit size T6, transmission ratio 2.5:1, upperside input (U), shaft and bevel gear position R-O, mounting position M5
- D T8-3:1-D-L-M3**  
gear unit size T8, transmission ratio 3:1, underside input(D), shaft and bevel gear position L, mounting position M3

### 转向器重量(kg)

### Redirector weight(kg)

| 机型号 /Size  | T2 | T4 | T6 | T7 | T8 | T10 | T12 | T16 | T20 | T25 |
|------------|----|----|----|----|----|-----|-----|-----|-----|-----|
| 重量 /Weight | 2  | 10 | 21 | 32 | 49 | 78  | 124 | 188 | 297 | 488 |

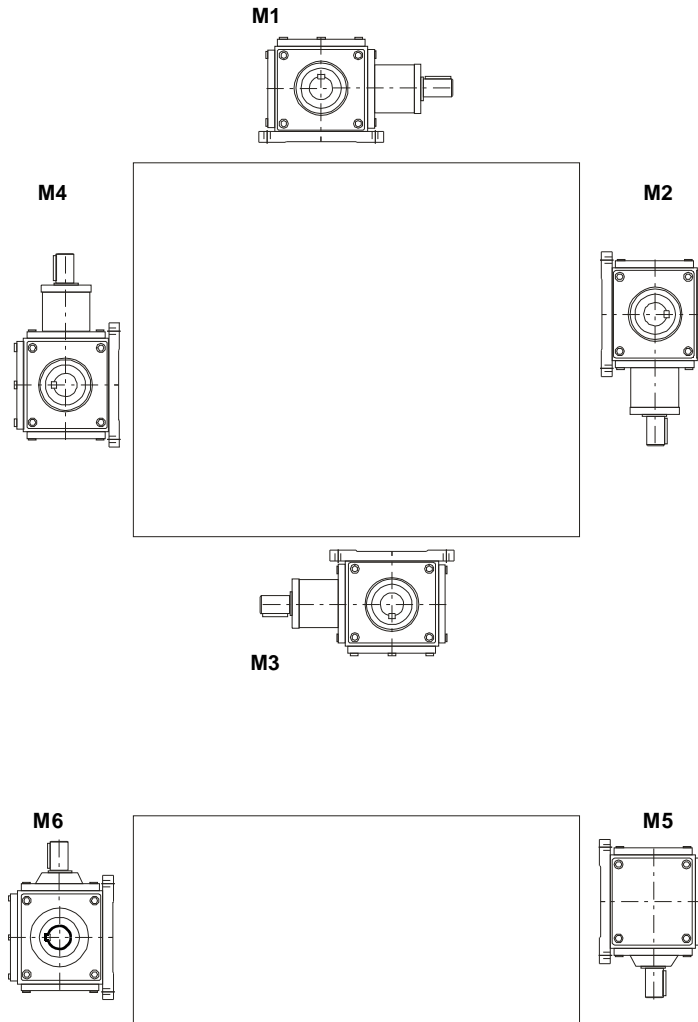


## 安装位置

## Mounting Position

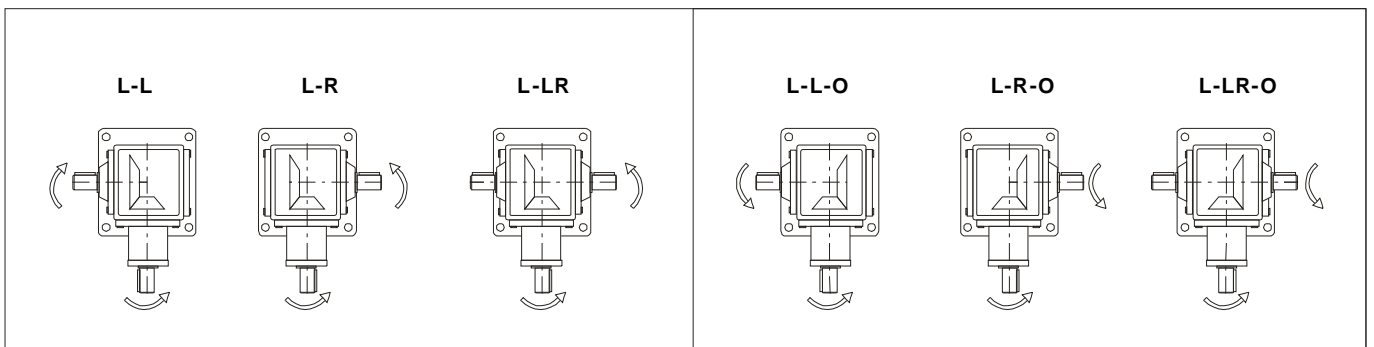
L-L..., L-R..., L-LR.. 安装位置

L-L..., L-R..., L-LR.. Redirector Mounting Position



轴及齿轮配置

Bevel gear and shaft position



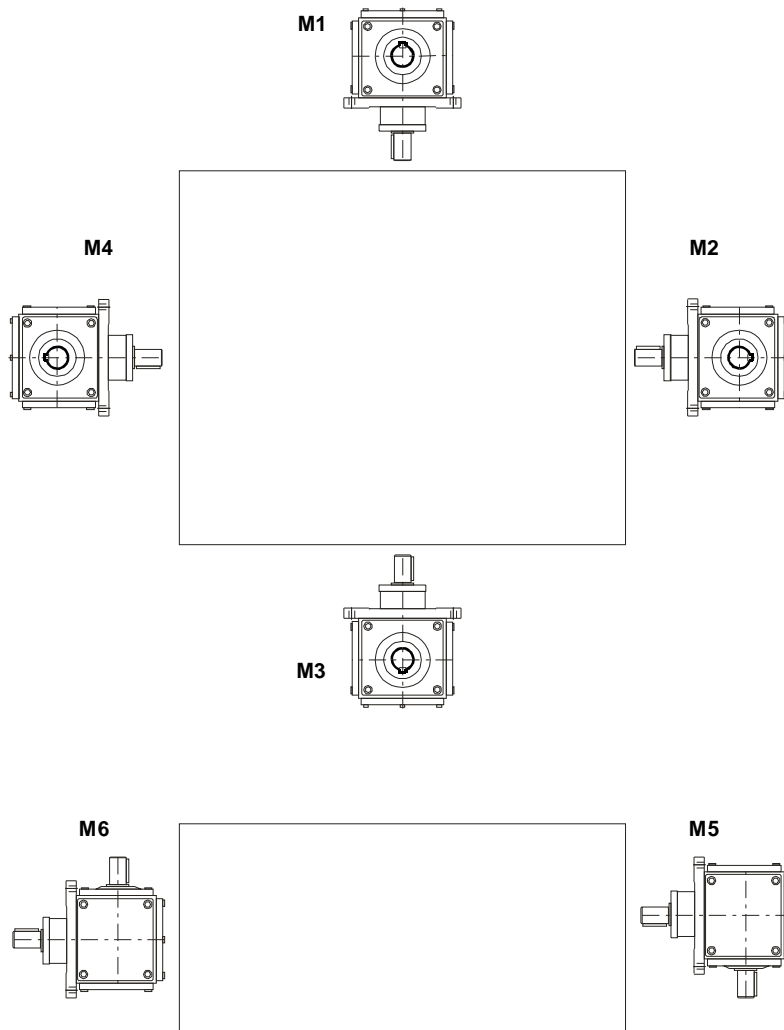


安装位置

Mounting Position

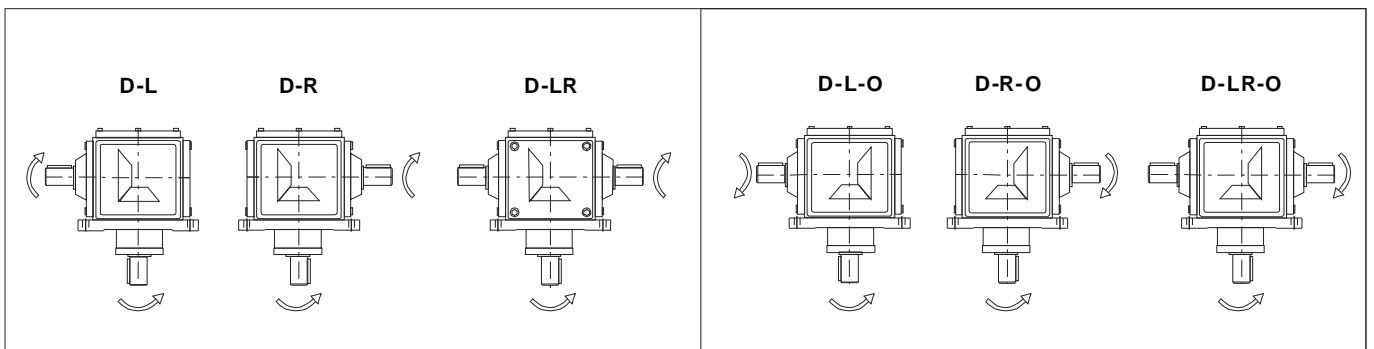
D-L..., D-R..., D-LR..减速机安装位置

D-L..., D-R..., D-LR.. Gear Unit Mounting Position



轴及齿轮配置

Bevel gear and shaft position



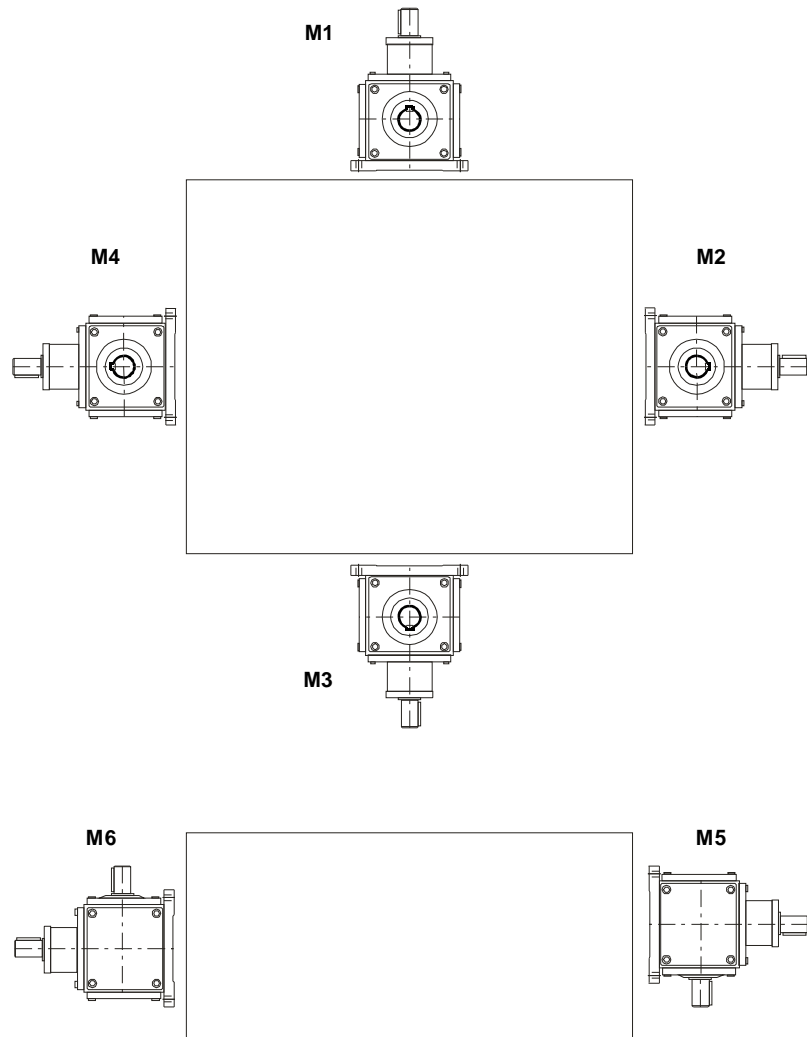


安装位置

Mounting Position

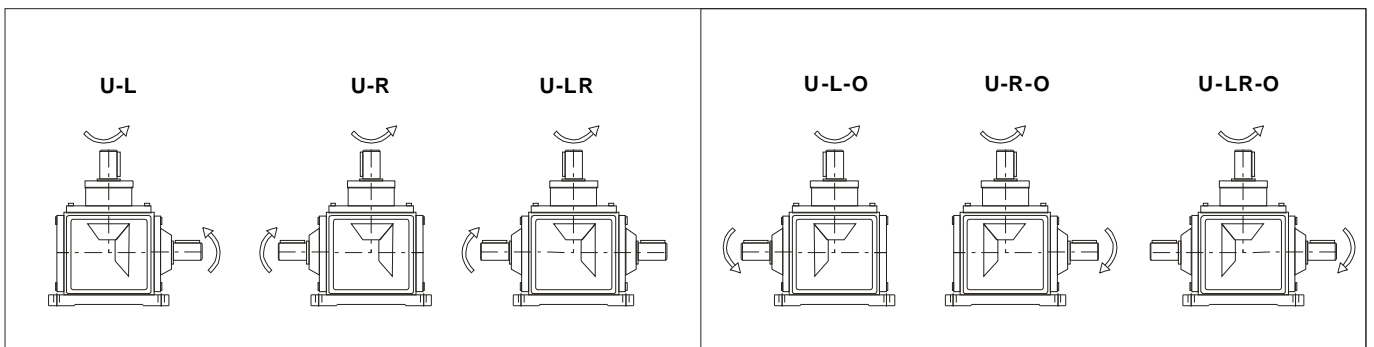
U-L..., U-R..., U-LR..转向器安装位置

U-L..., U-R..., U-LR.. Gear Unit Mounting Position



轴及齿轮配置

Bevel gear and shaft position



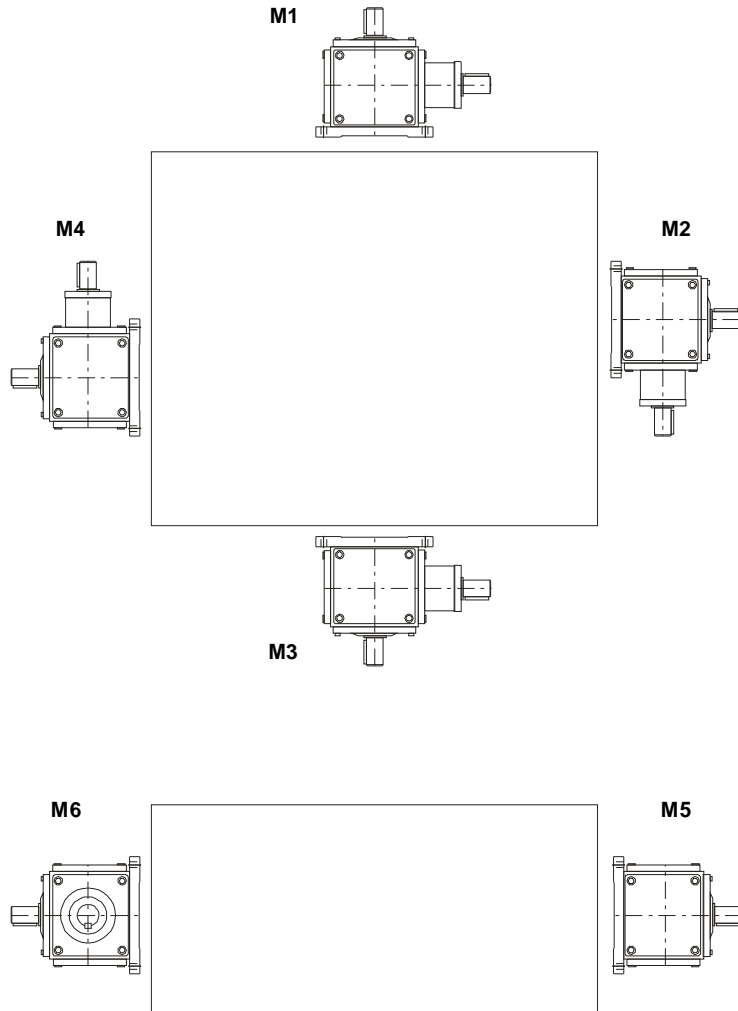


安装位置

Mounting Position

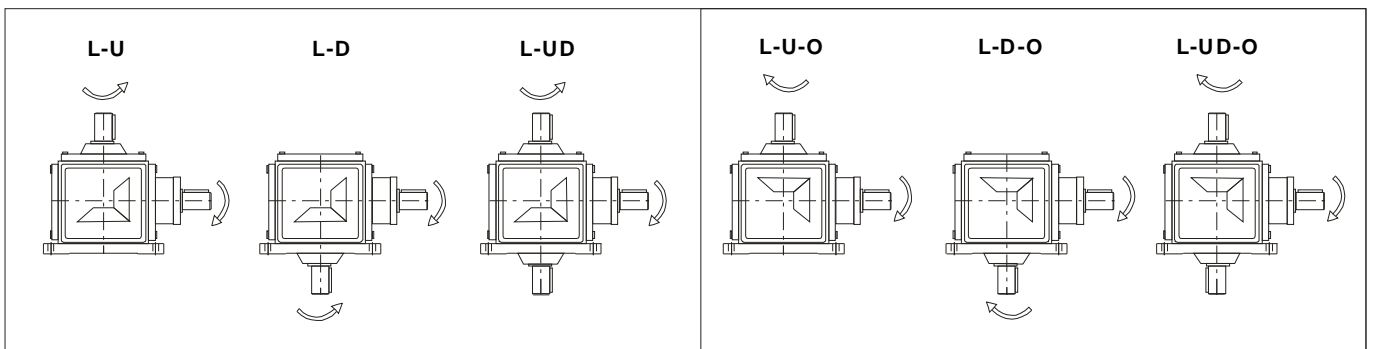
L-U...,L-D...,L-UD..转向器安装位置

L-U...,L-D...,L-UD.. Redirector Mounting Position



轴及齿轮配置

Bevel gear and shaft position





## 技术参数

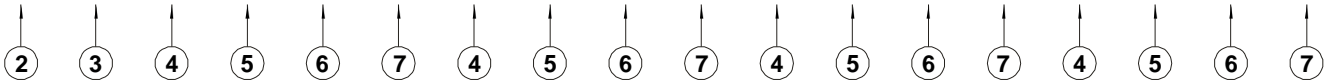
## Technical Data

符号意义

Key to Symbols



| 机型号/SIZE |           | T2         |           |          |          | T4         |           |          |          | T6         |           |          |          | T7         |           |          |          |
|----------|-----------|------------|-----------|----------|----------|------------|-----------|----------|----------|------------|-----------|----------|----------|------------|-----------|----------|----------|
| I        | n1<br>rpm | Mn2<br>N.m | Pn1<br>KW | Fr1<br>N | Fr2<br>N | Mn2<br>N.m | Pn1<br>KW | Fr1<br>N | Fr2<br>N | Mn2<br>N.m | Pn1<br>KW | Fr1<br>N | Fr2<br>N | Mn2<br>N.m | Pn1<br>KW | Fr1<br>N | Fr2<br>N |
| 1:1      | 1450      | 11.6       | 1.79      | 265      | 216      | 31.9       | 4.94      | 833      | 951      | 96         | 14.9      | 1911     | 2450     | 142        | 22.0      | 2450     | 3136     |
|          | 1150      | 11.7       | 1.43      | 323      | 235      | 34.1       | 4.19      | 882      | 1029     | 103        | 12.7      | 2058     | 2597     | 150        | 18.4      | 2744     | 3234     |
|          | 870       | 12.1       | 1.12      | 402      | 255      | 37.2       | 3.46      | 960      | 1127     | 113        | 10.5      | 2205     | 2842     | 164        | 15.2      | 2989     | 3381     |
|          | 580       | 12.1       | 0.747     | 549      | 314      | 39.5       | 2.45      | 1078     | 1323     | 119        | 7.35      | 2499     | 3185     | 184        | 11.4      | 3381     | 3822     |
|          | 400       | 12.3       | 0.524     | 637      | 353      | 40.2       | 1.72      | 1372     | 1715     | 122        | 5.20      | 3185     | 3528     | 195        | 8.34      | 4018     | 4900     |
|          | 300       | 12.3       | 0.396     | 696      | 392      | 40.5       | 1.30      | 1519     | 1960     | 123        | 3.93      | 3430     | 3528     | 198        | 6.35      | 4410     | 5537     |
|          | 200       | 12.4       | 0.226     | 784      | 441      | 41.2       | 0.88      | 1911     | 1960     | 124        | 2.66      | 3430     | 3528     | 201        | 4.30      | 5096     | 6272     |
|          | 100       | 12.7       | 0.136     | 980      | 588      | 41.9       | 0.448     | 1911     | 1960     | 127        | 1.360     | 3430     | 3528     | 206        | 2.20      | 5096     | 6272     |
|          | 10        | 13.0       | 0.014     | 980      | 588      | 43.0       | 0.046     | 1911     | 1960     | 132        | 0.141     | 3430     | 3528     | 214        | 0.228     | 5096     | 6272     |



1 机型号

2 传动比

3 输入转速

4 额定输出转矩

5 额定输入功率

6 输入轴中点最大径向力

7 输出轴中点最大径向力

1 redirector size

2 transmission ratio

3 input speed

4 rated output torque

5 rated input power

6 max radial force on the middle of input shaft

7 max radial force on the middle of output shaft





技术参数

Technical Data

| 机型号/SIZE |        | T2      |        |       |       | T4      |        |       |       | T6      |        |       |       | T7      |        |       |       |
|----------|--------|---------|--------|-------|-------|---------|--------|-------|-------|---------|--------|-------|-------|---------|--------|-------|-------|
| I        | n1 rpm | Mn2 N.m | Pn1 KW | Fr1 N | Fr2 N | Mn2 N.m | Pn1 KW | Fr1 N | Fr2 N | Mn2 N.m | Pn1 KW | Fr1 N | Fr2 N | Mn2 N.m | Pn1 KW | Fr1 N | Fr2 N |
| 1:1      | 1450   | 11.6    | 1.79   | 265   | 216   | 31.9    | 4.94   | 833   | 951   | 96      | 14.9   | 1911  | 2450  | 142     | 22.0   | 2450  | 3136  |
|          | 1150   | 11.7    | 1.43   | 323   | 235   | 34.1    | 4.19   | 882   | 1029  | 103     | 12.7   | 2058  | 2597  | 150     | 18.4   | 2744  | 3234  |
|          | 870    | 12.1    | 1.12   | 402   | 255   | 37.2    | 3.46   | 960   | 1127  | 113     | 10.5   | 2205  | 2842  | 164     | 15.2   | 2989  | 3381  |
|          | 580    | 12.1    | 0.747  | 549   | 314   | 39.5    | 2.45   | 1078  | 1323  | 119     | 7.35   | 2499  | 3185  | 184     | 11.4   | 3381  | 3822  |
|          | 400    | 12.3    | 0.524  | 637   | 353   | 40.2    | 1.72   | 1372  | 1715  | 122     | 5.20   | 3185  | 3528  | 195     | 8.34   | 4018  | 4900  |
|          | 300    | 12.3    | 0.396  | 696   | 392   | 40.5    | 1.30   | 1519  | 1960  | 123     | 3.93   | 3430  | 3528  | 198     | 6.35   | 4410  | 5537  |
|          | 200    | 12.4    | 0.226  | 784   | 441   | 41.2    | 0.88   | 1911  | 1960  | 124     | 2.66   | 3430  | 3528  | 201     | 4.30   | 5096  | 6272  |
|          | 100    | 12.7    | 0.136  | 980   | 588   | 41.9    | 0.448  | 1911  | 1960  | 127     | 1.360  | 3430  | 3528  | 206     | 2.20   | 5096  | 6272  |
|          | 10     | 13.0    | 0.014  | 980   | 588   | 43.0    | 0.046  | 1911  | 1960  | 132     | 0.141  | 3430  | 3528  | 214     | 0.228  | 5096  | 6272  |
|          | 1.5:1  | 1450    |        |       |       |         |        |       |       |         | 117    | 12.1  | 2548  | 2842    | 142    | 22.0  | 2450  |
| 1150     |        |         |        |       |       |         |        |       |       | 122     | 9.96   | 3038  | 3087  | 150     | 18.4   | 2744  | 3234  |
| 870      |        |         |        |       |       |         |        |       |       | 123     | 7.66   | 3430  | 3332  | 164     | 15.2   | 2989  | 3381  |
| 580      |        |         |        |       |       |         |        |       |       | 126     | 5.23   | 3430  | 3528  | 184     | 11.4   | 3381  | 3822  |
| 400      |        |         |        |       |       |         |        |       |       | 128     | 3.66   | 3430  | 3528  | 195     | 8.34   | 4018  | 4900  |
| 300      |        |         |        |       |       |         |        |       |       | 129     | 2.77   | 3430  | 3528  | 198     | 6.35   | 4410  | 5537  |
| 200      |        |         |        |       |       |         |        |       |       | 131     | 1.87   | 3430  | 3528  | 201     | 4.30   | 5096  | 6272  |
| 100      |        |         |        |       |       |         |        |       |       | 134     | 0.957  | 3430  | 3528  | 206     | 2.20   | 5096  | 6272  |
| 10       |        |         |        |       |       |         |        |       |       | 139     | 0.099  | 3430  | 3528  | 214     | 0.228  | 5096  | 6272  |
| 2:1      |        | 1450    | 12.1   | 0.94  | 265   | 172     | 42.8   | 3.32  | 1078  | 1960    | 102    | 7.90  | 2548  | 2842    | 137    | 10.6  | 3430  |
|          | 1150   | 12.0    | 0.74   | 323   | 211   | 43.4    | 2.67   | 1078  | 1960  | 104     | 6.39   | 3038  | 3087  | 139     | 8.55   | 4067  | 6076  |
|          | 870    | 12.0    | 0.56   | 402   | 230   | 43.8    | 2.04   | 1078  | 1960  | 105     | 4.88   | 3430  | 3332  | 141     | 6.56   | 4753  | 6174  |
|          | 580    | 11.9    | 0.37   | 549   | 283   | 44.4    | 1.38   | 1078  | 1960  | 108     | 3.34   | 3430  | 3528  | 144     | 4.47   | 5096  | 6272  |
|          | 400    | 12.2    | 0.26   | 637   | 318   | 45.1    | 0.96   | 1078  | 1960  | 109     | 2.33   | 3430  | 3528  | 146     | 3.12   | 5096  | 6272  |
|          | 300    | 11.9    | 0.19   | 696   | 353   | 45.5    | 0.73   | 1078  | 1960  | 110     | 1.76   | 3430  | 3528  | 148     | 2.37   | 5096  | 6272  |
|          | 200    | 12.2    | 0.13   | 784   | 397   | 46.1    | 0.49   | 1078  | 1960  | 111     | 1.18   | 3430  | 3528  | 149     | 1.59   | 5096  | 6272  |
|          | 100    | 11.2    | 0.06   | 980   | 530   | 46.6    | 0.25   | 1078  | 1960  | 114     | 0.608  | 3430  | 3528  | 152     | 0.812  | 5096  | 6272  |
|          | 10     | 28.1    | 0.015  | 980   | 530   | 48.5    | 0.026  | 1078  | 1960  | 116     | 0.062  | 3430  | 3528  | 157     | 0.084  | 5096  | 6272  |
|          | 2.5:1  | 1450    |        |       |       |         |        |       |       |         | 96.2   | 5.97  | 2548  | 2842    | 113    | 6.99  | 3430  |
| 1150     |        |         |        |       |       |         |        |       |       | 97.2    | 4.78   | 3038  | 3087  | 115     | 5.64   | 4067  | 6076  |
| 870      |        |         |        |       |       |         |        |       |       | 99.0    | 3.68   | 3430  | 3332  | 116     | 4.30   | 4753  | 6174  |
| 580      |        |         |        |       |       |         |        |       |       | 100.0   | 2.48   | 3430  | 3528  | 118     | 2.92   | 5096  | 6272  |
| 400      |        |         |        |       |       |         |        |       |       | 100.9   | 1.73   | 3430  | 3528  | 120     | 2.05   | 5096  | 6272  |
| 300      |        |         |        |       |       |         |        |       |       | 102.9   | 1.32   | 3430  | 3528  | 121     | 1.55   | 5096  | 6272  |
| 200      |        |         |        |       |       |         |        |       |       | 103.9   | 0.888  | 3430  | 3528  | 123     | 1.05   | 5096  | 6272  |
| 100      |        |         |        |       |       |         |        |       |       | 104.9   | 0.448  | 3430  | 3528  | 123     | 0.528  | 5096  | 6272  |
| 10       |        |         |        |       |       |         |        |       |       | 107.8   | 0.046  | 3430  | 3528  | 126     | 0.054  | 5096  | 6272  |
| 3:1      |        | 1450    |        |       |       |         |        |       |       |         | 93.6   | 4.84  | 2548  | 2842    | 105    | 5.42  | 3430  |
|          | 1150   |         |        |       |       |         |        |       |       | 94.8    | 3.88   | 3038  | 3087  | 106     | 4.34   | 4067  | 6076  |
|          | 870    |         |        |       |       |         |        |       |       | 95.9    | 2.97   | 3430  | 3332  | 108     | 3.34   | 4753  | 6174  |
|          | 580    |         |        |       |       |         |        |       |       | 97.6    | 2.02   | 3430  | 3528  | 109     | 2.25   | 5096  | 6272  |
|          | 400    |         |        |       |       |         |        |       |       | 99.0    | 1.41   | 3430  | 3528  | 111     | 1.58   | 5096  | 6272  |
|          | 300    |         |        |       |       |         |        |       |       | 100     | 1.07   | 3430  | 3528  | 111     | 1.18   | 5096  | 6272  |
|          | 200    |         |        |       |       |         |        |       |       | 100     | 0.712  | 3430  | 3528  | 113     | 0.803  | 5096  | 6272  |
|          | 100    |         |        |       |       |         |        |       |       | 102     | 0.363  | 3430  | 3528  | 115     | 0.409  | 5096  | 6272  |
|          | 10     |         |        |       |       |         |        |       |       | 104     | 0.037  | 3430  | 3528  | 118     | 0.042  | 5096  | 6272  |



技术参数

Technical Data

| 机型号/SIZE |           | T8         |           |          |          | T10        |           |          |          | T12        |           |          |          |
|----------|-----------|------------|-----------|----------|----------|------------|-----------|----------|----------|------------|-----------|----------|----------|
| I        | n1<br>rpm | Mn2<br>N.m | Pn1<br>KW | Fr1<br>N | Fr2<br>N | Mn2<br>N.m | Pn1<br>KW | Fr1<br>N | Fr2<br>N | Mn2<br>N.m | Pn1<br>KW | Fr1<br>N | Fr2<br>N |
| 1:1      | 1450      | 294        | 45.6      | 3234     | 3381     | 421        | 65.3      | 4165     | 4508     | 619        | 96.0      | 5096     | 5586     |
|          | 1150      | 305        | 37.5      | 3479     | 3626     | 453        | 55.7      | 4459     | 4851     | 665        | 81.1      | 5488     | 6076     |
|          | 870       | 312        | 29.0      | 3773     | 3969     | 479        | 44.6      | 4851     | 5292     | 726        | 67.5      | 5880     | 6566     |
|          | 580       | 319        | 19.8      | 4263     | 4459     | 493        | 30.6      | 5488     | 5880     | 802        | 49.7      | 6713     | 7301     |
|          | 400       | 326        | 14.0      | 4851     | 5978     | 504        | 21.5      | 6272     | 7056     | 821        | 35.1      | 7742     | 8134     |
|          | 300       | 331        | 10.6      | 5243     | 6958     | 513        | 16.4      | 6713     | 7987     | 835        | 26.8      | 8232     | 9065     |
|          | 200       | 338        | 7.23      | 7889     | 8820     | 521        | 11.1      | 8575     | 9604     | 852        | 18.2      | 9261     | 10290    |
|          | 100       | 346        | 3.70      | 8428     | 8820     | 535        | 5.72      | 9996     | 11760    | 875        | 9.36      | 11368    | 12593    |
|          | 10        | 361        | 0.386     | 8428     | 8820     | 561        | 0.599     | 9996     | 11760    | 919        | 0.98      | 11858    | 14504    |
| 1.5:1    | 1450      | 185        | 19.1      | 7987     | 5194     | 374        | 38.7      | 5194     | 9212     | 564        | 58.3      | 5978     | 10486    |
|          | 1150      | 188        | 15.4      | 8820     | 6174     | 380        | 31.2      | 6174     | 10486    | 601        | 49.2      | 7252     | 12152    |
|          | 870       | 191        | 11.8      | 8820     | 7448     | 389        | 24.1      | 7448     | 11760    | 656        | 40.7      | 8869     | 14504    |
|          | 580       | 197        | 8.14      | 8820     | 9555     | 396        | 16.4      | 9555     | 11760    | 699        | 28.9      | 11466    | 14504    |
|          | 400       | 200        | 5.70      | 8820     | 9996     | 406        | 11.6      | 9996     | 11760    | 711        | 20.3      | 11858    | 14504    |
|          | 300       | 203        | 4.34      | 8820     | 9996     | 411        | 8.78      | 9996     | 11760    | 724        | 15.5      | 11858    | 14504    |
|          | 200       | 204        | 2.91      | 8820     | 9996     | 417        | 5.95      | 9996     | 11760    | 736        | 10.5      | 11858    | 14504    |
|          | 100       | 210        | 1.49      | 8820     | 9996     | 426        | 3.04      | 9996     | 11760    | 754        | 5.37      | 11858    | 14504    |
|          | 10        | 218        | 0.155     | 8820     | 9996     | 443        | 0.316     | 9996     | 11760    | 785        | 0.56      | 11858    | 14504    |
| 2:1      | 1450      | 180        | 14.0      | 7987     | 5194     | 305        | 23.6      | 5194     | 9212     | 516        | 40.0      | 5978     | 10486    |
|          | 1150      | 183        | 11.3      | 8820     | 6174     | 309        | 19.0      | 6174     | 10486    | 516        | 31.7      | 7252     | 12152    |
|          | 870       | 187        | 8.70      | 8820     | 7448     | 315        | 14.6      | 7448     | 11760    | 516        | 24.0      | 8869     | 14504    |
|          | 580       | 191        | 5.92      | 8820     | 9555     | 322        | 10.0      | 9555     | 11760    | 524        | 16.3      | 11466    | 14504    |
|          | 400       | 194        | 4.15      | 8820     | 9996     | 328        | 7.02      | 9996     | 11760    | 538        | 11.5      | 11858    | 14504    |
|          | 300       | 196        | 3.14      | 8820     | 9996     | 332        | 5.33      | 9996     | 11760    | 543        | 8.71      | 11858    | 14504    |
|          | 200       | 198        | 2.12      | 8820     | 9996     | 338        | 3.61      | 9996     | 11760    | 551        | 5.89      | 11858    | 14504    |
|          | 100       | 202        | 1.08      | 8820     | 9996     | 344        | 1.84      | 9996     | 11760    | 563        | 3.01      | 11858    | 14504    |
|          | 10        | 209        | 0.112     | 8820     | 9996     | 357        | 0.191     | 9996     | 11760    | 586        | 0.313     | 11858    | 14504    |
| 2.5:1    | 1450      | 184        | 11.4      | 7987     | 5194     | 293        | 18.2      | 5194     | 9212     | 507        | 31.4      | 5978     | 10486    |
|          | 1150      | 185        | 9.11      | 8820     | 6174     | 298        | 14.7      | 6174     | 10486    | 514        | 25.3      | 7252     | 12152    |
|          | 870       | 188        | 7.00      | 8820     | 7448     | 302        | 11.2      | 7448     | 11760    | 523        | 19.5      | 8869     | 14504    |
|          | 580       | 192        | 4.76      | 8820     | 9555     | 310        | 7.68      | 9555     | 11760    | 535        | 13.3      | 11466    | 14504    |
|          | 400       | 195        | 3.34      | 8820     | 9996     | 315        | 5.38      | 9996     | 11760    | 545        | 9.32      | 11858    | 14504    |
|          | 300       | 197        | 2.53      | 8820     | 9996     | 317        | 4.06      | 9996     | 11760    | 552        | 7.08      | 11858    | 14504    |
|          | 200       | 200        | 1.71      | 8820     | 9996     | 321        | 2.75      | 9996     | 11760    | 560        | 4.79      | 11858    | 14504    |
|          | 100       | 203        | 0.867     | 8820     | 9996     | 326        | 1.40      | 9996     | 11760    | 568        | 2.43      | 11858    | 14504    |
|          | 10        | 208        | 0.089     | 8820     | 9996     | 336        | 0.144     | 9996     | 11760    | 588        | 0.251     | 11858    | 14504    |
| 3:1      | 1450      | 159        | 8.20      | 7987     | 5194     | 270        | 14.0      | 5194     | 9212     | 458        | 23.6      | 5978     | 10486    |
|          | 1150      | 160        | 6.55      | 8820     | 6174     | 275        | 11.3      | 6174     | 10486    | 464        | 19.0      | 7252     | 12152    |
|          | 870       | 163        | 5.04      | 8820     | 7448     | 279        | 8.66      | 7448     | 11760    | 469        | 14.6      | 8869     | 14504    |
|          | 580       | 166        | 3.42      | 8820     | 9555     | 285        | 5.89      | 9555     | 11760    | 480        | 9.92      | 11466    | 14504    |
|          | 400       | 168        | 2.39      | 8820     | 9996     | 288        | 4.11      | 9996     | 11760    | 490        | 6.98      | 11858    | 14504    |
|          | 300       | 169        | 1.80      | 8820     | 9996     | 291        | 3.11      | 9996     | 11760    | 495        | 5.29      | 11858    | 14504    |
|          | 200       | 171        | 1.22      | 8820     | 9996     | 294        | 2.10      | 9996     | 11760    | 501        | 3.57      | 11858    | 14504    |
|          | 100       | 173        | 0.618     | 8820     | 9996     | 300        | 1.07      | 9996     | 11760    | 510        | 1.82      | 11858    | 14504    |
|          | 10        | 179        | 0.064     | 8820     | 9996     | 308        | 0.11      | 9996     | 11760    | 527        | 0.188     | 11858    | 14504    |



技术参数

Technical Data

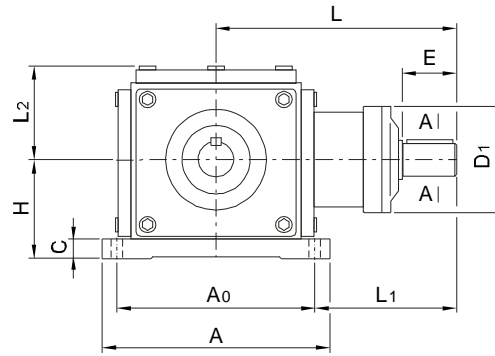
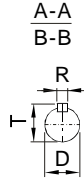
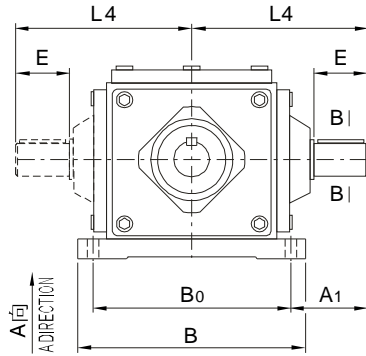
| 机型号/SIZE |           | T16        |           |          |          | T20        |           |          |          | T25        |           |          |          |
|----------|-----------|------------|-----------|----------|----------|------------|-----------|----------|----------|------------|-----------|----------|----------|
| I        | n1<br>rpm | Mn2<br>N.m | Pn1<br>KW | Fr1<br>N | Fr2<br>N | Mn2<br>N.m | Pn1<br>KW | Fr1<br>N | Fr2<br>N | Mn2<br>N.m | Pn1<br>KW | Fr1<br>N | Fr2<br>N |
| 1:1      | 1450      | 1019       | 163       | 10633    | 10976    |            |           |          |          |            |           |          |          |
|          | 1150      | 1098       | 139       | 11368    | 11760    | 1842       | 234       | 15386    | 15608    |            |           |          |          |
|          | 870       | 1186       | 114       | 12446    | 12740    | 2009       | 193       | 16660    | 17150    | 3489       | 335       | 24794    | 25480    |
|          | 580       | 1343       | 85.9      | 14014    | 14504    | 2274       | 145       | 18816    | 19404    | 3940       | 252       | 28028    | 28910    |
|          | 400       | 1499       | 66.1      | 15680    | 16170    | 2538       | 112       | 21070    | 21756    | 4410       | 195       | 31360    | 32340    |
|          | 300       | 1637       | 54.1      | 17150    | 17640    | 2744       | 90.8      | 23422    | 24108    | 4792       | 159       | 34300    | 35280    |
|          | 200       | 1784       | 39.3      | 19600    | 19894    | 3126       | 69.0      | 25970    | 26754    | 5390       | 119       | 38612    | 39788    |
|          | 100       | 1842       | 20.3      | 22540    | 22540    | 3205       | 35.3      | 28420    | 32928    | 5439       | 60.0      | 39200    | 49000    |
|          | 10        | 1940       | 2.14      | 22540    | 22540    | 3205       | 3.53      | 28420    | 33320    | 5713       | 6.30      | 39200    | 49000    |
| 2:1      | 1450      | 921        | 73.7      | 5978     | 12152    | 1578       | 126       | 7693     | 14602    |            |           |          |          |
|          | 1150      | 938        | 59.5      | 6419     | 13083    | 1607       | 102       | 8771     | 17934    | 3146       | 199       | 12985    | 24647    |
|          | 870       | 958        | 46.0      | 6958     | 14210    | 1646       | 79.0      | 9506     | 19453    | 3224       | 155       | 13573    | 29400    |
|          | 580       | 980        | 31.3      | 7840     | 16072    | 1695       | 54.2      | 10780    | 22001    | 3332       | 107       | 15680    | 33222    |
|          | 400       | 1000       | 22.0      | 8820     | 17934    | 1725       | 38.0      | 12005    | 24598    | 3420       | 75.4      | 17542    | 37142    |
|          | 300       | 1009       | 16.7      | 9604     | 19600    | 1574       | 29.0      | 13132    | 27342    | 3479       | 57.5      | 19159    | 40474    |
|          | 200       | 1029       | 11.3      | 10829    | 22148    | 1784       | 19.7      | 14798    | 30282    | 3557       | 39.2      | 21658    | 45766    |
|          | 100       | 1058       | 5.84      | 13328    | 22540    | 1833       | 10.1      | 18228    | 33320    | 3646       | 20.1      | 26656    | 49000    |
|          | 10        | 1098       | 0.605     | 22540    | 22540    | 1921       | 1.06      | 28420    | 33320    | 3822       | 2.11      | 39200    | 49000    |
| 3:1      | 1450      | 904        | 48.2      | 5978     | 12152    | 1529       | 82.3      | 7693     | 14602    | 2935       | 158       | 10300    | 19550    |
|          | 1150      | 920        | 38.9      | 6419     | 13083    | 1561       | 66.6      | 8771     | 17934    | 3045       | 130       | 12985    | 24647    |
|          | 870       | 940        | 30.1      | 6958     | 14210    | 1598       | 51.6      | 9506     | 19453    | 3135       | 101       | 13573    | 29400    |
|          | 580       | 960        | 20.4      | 7840     | 16072    | 1644       | 35.4      | 10780    | 22001    | 3246       | 69.9      | 15680    | 33222    |
|          | 400       | 978        | 14.4      | 8820     | 17934    | 1672       | 24.8      | 12005    | 24598    | 3317       | 49.3      | 17542    | 37142    |
|          | 300       | 990        | 10.9      | 9604     | 19600    | 1701       | 18.9      | 13132    | 27342    | 3372       | 37.6      | 19159    | 40474    |
|          | 200       | 1005       | 7.38      | 10829    | 22148    | 1733       | 12.9      | 14798    | 30282    | 3449       | 25.6      | 21658    | 45766    |
|          | 100       | 1038       | 3.82      | 13328    | 22540    | 1777       | 6.60      | 18228    | 33320    | 3537       | 13.1      | 26656    | 49000    |
|          | 10        | 1076       | 0.40      | 22540    | 22540    | 1865       | 0.69      | 28420    | 33320    | 3713       | 1.4       | 39200    | 49000    |



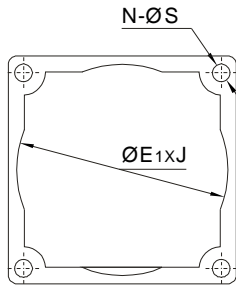
安装尺寸

Mounting Dimensions

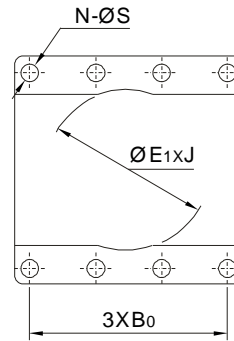
L-L(R)..



A向  
ADIRECTION **T2-T16**



A向  
ADIRECTION **T20-T25**



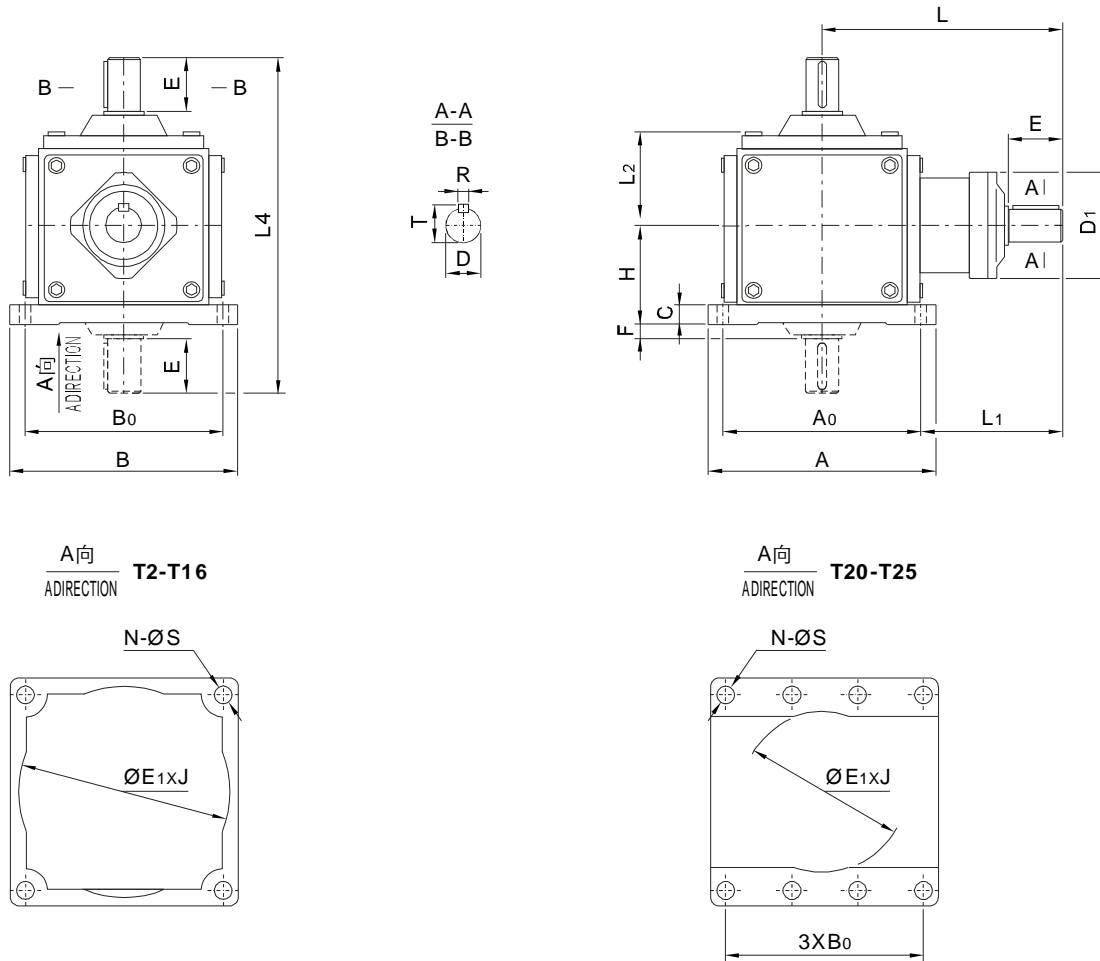
|            | A <sub>1</sub> | A   | A <sub>0</sub> | B   | B <sub>0</sub> | C  | D <sub>1</sub> | D(h7) | E   | E <sub>1</sub> | J  | H   | L   | L <sub>1</sub> | L <sub>2</sub> | L <sub>4</sub> | N | R  | S    | T    |
|------------|----------------|-----|----------------|-----|----------------|----|----------------|-------|-----|----------------|----|-----|-----|----------------|----------------|----------------|---|----|------|------|
| <b>T2</b>  | 48             | 100 | 84             | 100 | 84             | 10 | 58             | 15    | 33  | 94             | 3  | 52  | 124 | 82             | 52             | 90             | 4 | 5  | 9    | 17   |
| <b>T4</b>  | 53.5           | 155 | 125            | 155 | 125            | 17 | 76             | 19    | 38  | 155            | 5  | 76  | 180 | 117.5          | 76             | 116            | 4 | 6  | 10.5 | 21.5 |
| <b>T6</b>  | 81             | 190 | 152            | 190 | 152            | 17 | 115            | 25    | 50  | 190            | 5  | 90  | 222 | 146            | 87             | 157            | 4 | 8  | 14   | 28   |
| <b>T7</b>  | 88             | 210 | 174            | 210 | 174            | 20 | 125            | 32    | 62  | 220            | 5  | 100 | 265 | 178            | 99             | 175            | 4 | 10 | 14   | 35   |
| <b>T8</b>  | 110.5          | 235 | 195            | 235 | 195            | 23 | 159            | 40    | 75  | 250            | 5  | 115 | 308 | 210.5          | 114.5          | 208            | 4 | 12 | 14   | 43   |
| <b>T10</b> | 120            | 285 | 240            | 285 | 240            | 25 | 155            | 45    | 90  | 305            | 5  | 140 | 360 | 240            | 133            | 265            | 4 | 14 | 16   | 48.5 |
| <b>T12</b> | 130            | 340 | 290            | 340 | 290            | 32 | 168            | 50    | 100 | 370            | 5  | 175 | 415 | 270            | 160            | 275            | 4 | 14 | 21   | 53.5 |
| <b>T16</b> | 150            | 390 | 330            | 390 | 330            | 40 | 193            | 60    | 105 | 420            | 7  | 200 | 455 | 290            | 186            | 315            | 4 | 18 | 25   | 64   |
| <b>T20</b> | 195            | 490 | 430            | 410 | 110            | 32 | 220            | 72    | 105 | 360            | 10 | 245 | 545 | 330            | 217            | 360            | 8 | 20 | 21   | 76.5 |
| <b>T25</b> | 235            | 580 | 520            | 480 | 130            | 35 | 270            | 85    | 130 | 430            | 10 | 290 | 660 | 400            | 255            | 430            | 8 | 22 | 24   | 90   |



安装尺寸

Mounting Dimensions

L-U(D)..



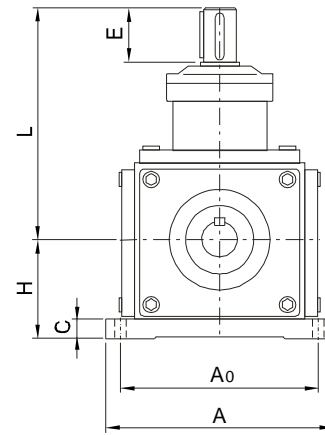
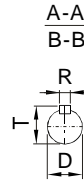
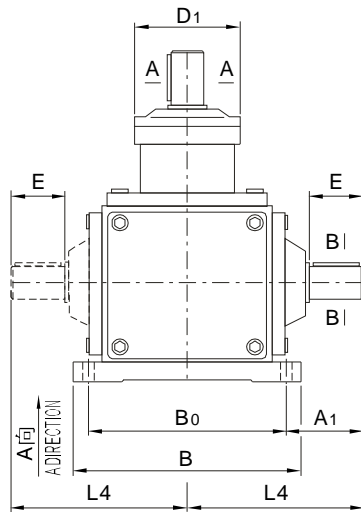
|            | A   | A <sub>0</sub> | B   | B <sub>0</sub> | C  | D <sub>1</sub> | D(h7) | E   | E <sub>1</sub> | F  | J  | H   | L   | L <sub>1</sub> | L <sub>2</sub> | L <sub>4</sub> | N | R  | S    | T    |
|------------|-----|----------------|-----|----------------|----|----------------|-------|-----|----------------|----|----|-----|-----|----------------|----------------|----------------|---|----|------|------|
| <b>T2</b>  | 100 | 84             | 100 | 84             | 10 | 58             | 15    | 33  | 94             | 5  | 3  | 52  | 124 | 82             | 52             | 180            | 4 | 5  | 9    | 17   |
| <b>T4</b>  | 155 | 125            | 155 | 125            | 17 | 76             | 19    | 38  | 155            | 2  | 5  | 76  | 180 | 117.5          | 76             | 232            | 4 | 6  | 10.5 | 21.5 |
| <b>T6</b>  | 190 | 152            | 190 | 152            | 17 | 115            | 25    | 50  | 190            | 17 | 5  | 90  | 222 | 146            | 87             | 314            | 4 | 8  | 14   | 28   |
| <b>T7</b>  | 210 | 174            | 210 | 174            | 20 | 125            | 32    | 62  | 220            | 13 | 5  | 100 | 265 | 178            | 99             | 350            | 4 | 10 | 14   | 35   |
| <b>T8</b>  | 235 | 195            | 235 | 195            | 23 | 159            | 40    | 75  | 250            | 18 | 5  | 115 | 308 | 210.5          | 114.5          | 416            | 4 | 12 | 14   | 43   |
| <b>T10</b> | 285 | 240            | 285 | 240            | 25 | 155            | 45    | 90  | 305            | 10 | 5  | 140 | 360 | 240            | 133            | 530            | 4 | 14 | 16   | 48.5 |
| <b>T12</b> | 340 | 290            | 340 | 290            | 32 | 168            | 50    | 100 | 370            | 0  | 5  | 175 | 415 | 270            | 160            | 550            | 4 | 14 | 21   | 53.5 |
| <b>T16</b> | 390 | 330            | 390 | 330            | 40 | 193            | 60    | 105 | 420            | 10 | 7  | 200 | 455 | 290            | 186            | 630            | 4 | 18 | 25   | 64   |
| <b>T20</b> | 490 | 430            | 410 | 110            | 32 | 220            | 72    | 105 | 360            | 10 | 10 | 245 | 545 | 330            | 217            | 720            | 8 | 20 | 21   | 76.5 |
| <b>T25</b> | 580 | 520            | 480 | 130            | 35 | 270            | 85    | 130 | 430            | 10 | 10 | 290 | 660 | 400            | 255            | 860            | 8 | 22 | 24   | 90   |



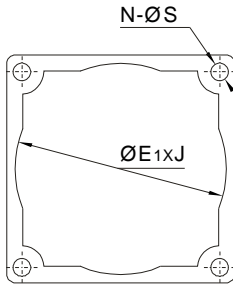
安装尺寸

Mounting Dimensions

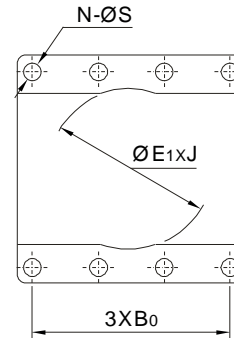
U-L(R)..



A向  
ADIRECTION **T2-T16**



A向  
ADIRECTION **T20-T25**



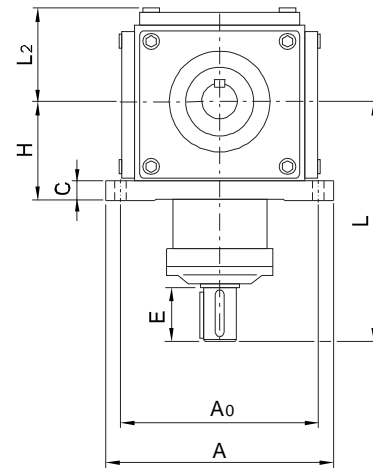
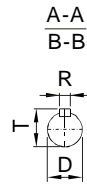
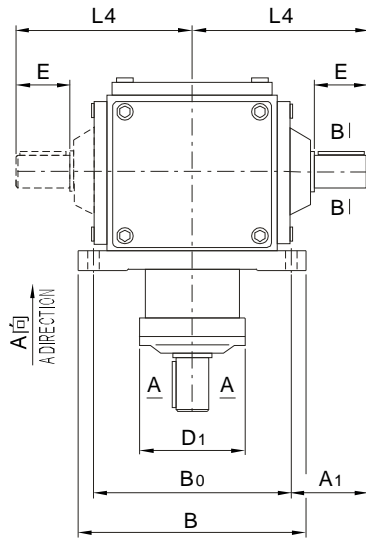
|            | A1    | A   | A0  | B   | B0  | C  | D1  | D(h7) | E   | E1  | J  | H   | L   | L4  | N | R  | S    | T    |
|------------|-------|-----|-----|-----|-----|----|-----|-------|-----|-----|----|-----|-----|-----|---|----|------|------|
| <b>T2</b>  | 48    | 100 | 84  | 100 | 84  | 10 | 58  | 15    | 33  | 94  | 3  | 52  | 124 | 90  | 4 | 5  | 9    | 17   |
| <b>T4</b>  | 53.5  | 155 | 125 | 155 | 125 | 17 | 76  | 19    | 38  | 155 | 5  | 76  | 180 | 116 | 4 | 6  | 10.5 | 21.5 |
| <b>T6</b>  | 81    | 190 | 152 | 190 | 152 | 17 | 115 | 25    | 50  | 190 | 5  | 90  | 222 | 157 | 4 | 8  | 14   | 28   |
| <b>T7</b>  | 88    | 210 | 174 | 210 | 174 | 20 | 125 | 32    | 62  | 220 | 5  | 100 | 265 | 175 | 4 | 10 | 14   | 35   |
| <b>T8</b>  | 110.5 | 235 | 195 | 235 | 195 | 23 | 159 | 40    | 75  | 250 | 5  | 115 | 308 | 208 | 4 | 12 | 14   | 43   |
| <b>T10</b> | 120   | 285 | 240 | 285 | 240 | 25 | 155 | 45    | 90  | 305 | 5  | 140 | 360 | 265 | 4 | 14 | 16   | 48.5 |
| <b>T12</b> | 130   | 340 | 290 | 340 | 290 | 32 | 168 | 50    | 100 | 370 | 5  | 175 | 415 | 275 | 4 | 14 | 21   | 53.5 |
| <b>T16</b> | 150   | 390 | 330 | 390 | 330 | 40 | 193 | 60    | 105 | 420 | 7  | 200 | 455 | 315 | 4 | 18 | 25   | 64   |
| <b>T20</b> | 195   | 490 | 430 | 410 | 110 | 32 | 220 | 72    | 105 | 360 | 10 | 245 | 545 | 360 | 8 | 20 | 21   | 76.5 |
| <b>T25</b> | 235   | 580 | 520 | 480 | 130 | 35 | 270 | 85    | 130 | 430 | 10 | 290 | 660 | 430 | 8 | 22 | 24   | 90   |



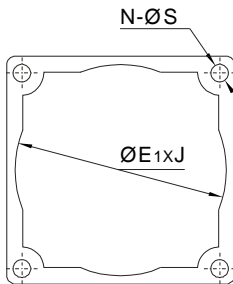
安装尺寸

Mounting Dimensions

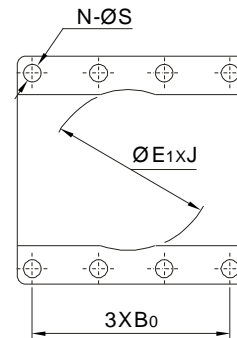
D-L(R)..



A向  
ADIRECTION **T2-T16**



A向  
ADIRECTION **T20-T25**



|            | A <sub>1</sub> | A   | A <sub>0</sub> | B   | B <sub>0</sub> | C  | D <sub>1</sub> | D(h7) | E   | E <sub>1</sub> | J  | H   | L   | L <sub>1</sub> | L <sub>2</sub> | L <sub>4</sub> | N | R  | S    | T    |
|------------|----------------|-----|----------------|-----|----------------|----|----------------|-------|-----|----------------|----|-----|-----|----------------|----------------|----------------|---|----|------|------|
| <b>T2</b>  | 48             | 100 | 84             | 100 | 84             | 10 | 58             | 15    | 33  | 94             | 3  | 52  | 124 | 82             | 52             | 90             | 4 | 5  | 9    | 17   |
| <b>T4</b>  | 53.5           | 155 | 125            | 155 | 125            | 17 | 76             | 19    | 38  | 155            | 5  | 76  | 180 | 117.5          | 76             | 116            | 4 | 6  | 10.5 | 21.5 |
| <b>T6</b>  | 81             | 190 | 152            | 190 | 152            | 17 | 115            | 25    | 50  | 190            | 5  | 90  | 222 | 146            | 87             | 157            | 4 | 8  | 14   | 28   |
| <b>T7</b>  | 88             | 210 | 174            | 210 | 174            | 20 | 125            | 32    | 62  | 220            | 5  | 100 | 265 | 178            | 99             | 175            | 4 | 10 | 14   | 35   |
| <b>T8</b>  | 110.5          | 235 | 195            | 235 | 195            | 23 | 159            | 40    | 75  | 250            | 5  | 115 | 308 | 210.5          | 114.5          | 208            | 4 | 12 | 14   | 43   |
| <b>T10</b> | 120            | 285 | 240            | 285 | 240            | 25 | 155            | 45    | 90  | 305            | 5  | 140 | 360 | 240            | 133            | 265            | 4 | 14 | 16   | 48.5 |
| <b>T12</b> | 130            | 340 | 290            | 340 | 290            | 32 | 168            | 50    | 100 | 370            | 5  | 175 | 415 | 270            | 160            | 275            | 4 | 14 | 21   | 53.5 |
| <b>T16</b> | 150            | 390 | 330            | 390 | 330            | 40 | 193            | 60    | 105 | 420            | 7  | 200 | 455 | 290            | 186            | 315            | 4 | 18 | 25   | 64   |
| <b>T20</b> | 195            | 490 | 430            | 410 | 110            | 32 | 220            | 72    | 105 | 360            | 10 | 245 | 545 | 330            | 217            | 360            | 8 | 20 | 21   | 76.5 |
| <b>T25</b> | 235            | 580 | 520            | 480 | 130            | 35 | 270            | 85    | 130 | 430            | 10 | 290 | 660 | 400            | 255            | 430            | 8 | 22 | 24   | 90   |