

1、订货代码 HOW TO ORDER

举例 For example

| | | | | | | | |
|----|------|---|-----|---|---|----|---|
| AL | 0307 | — | 220 | K | P | 52 | E |
| ↓ | ↓ | ↓ | ↓ | ↓ | ↓ | ↓ | ↓ |
| A | B | C | D | E | F | G | |

| | |
|----------------------|--------------------------------------|
| 产品类别 Product type | |
| AL | 轴向色码电感器 Axial color code inductor |

C:

| |
|---|
| 标称电感量 Nominal inductance (μ H) |
| 前两位数字为有效数字,后一位数字表示零的个数。 The first two digits are significant, and the third digit is number of zero. *例如 For example : 101=100 μ H ; 5R6=5.6 μ H R22=0.22 μ H |

E:

| | | |
|-------------------------|----|------------------------------|
| 包装方式 Packaging style | | |
| 编带 Tape & reel | P | 盒带包装 Ammo |
| | T | 卷带包装 Reel |
| 散包装 Bulk | F | 直脚轴向 Axial |
| | L | 直脚成型 Straight lead formed |
| | V | 弯脚成型 Bent lead formed |
| | VK | 弯脚 K 型 Bent lead K formed |

G:

| | |
|--------------|----------------------|
| 备注 Remark | |
| E | 无铅 Lead Free |
| 空格 Blank | 含铅 Lead Contained |



B:

| | | |
|-------------------------|-----------------|-----------------|
| 尺寸 Dimensions (mm) | | |
| 类型 Type | 外径 D_{max} | 体长 L_{max} |
| 0204 | 2.3 | 4.2 |
| 0307 | 2.8 | 7.0 |
| 0410 | 4.0 | 10.5 |
| 0510 | 5.0 | 10.5 |

D:

| | |
|-------------------|-------------|
| 感量偏差 Tolerance | |
| J | $\pm 5.0\%$ |
| K | $\pm 10\%$ |
| M | $\pm 20\%$ |

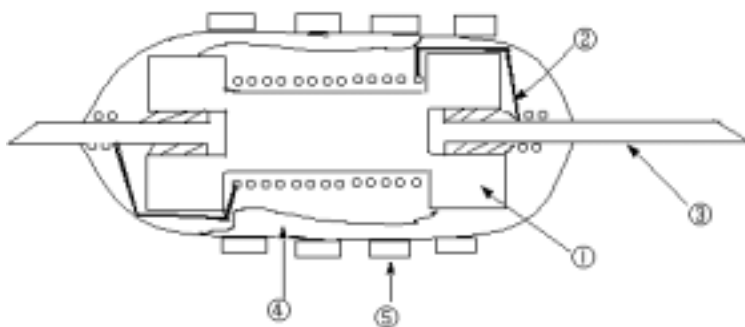
F:

| | | |
|----------------------------|----|------------------------------------|
| 引脚形式 Lead configuration | | |
| 编带 Tape & reel | 26 | 编带内距: 26mm Tape width: |
| | 52 | 编带内距: 52mm Tape width: |
| 引脚成型 Formed lead | 05 | 引脚脚距: 5.08mm Formed lead pitch: |
| | 07 | 引脚脚距: 7.5mm Formed lead pitch: |
| | 10 | 引脚脚距: 10.0mm Formed lead pitch: |
| | 12 | 引脚脚距: 12.5mm Formed lead pitch: |
| | 15 | 引脚脚距: 15.0mm Formed lead pitch: |
| | 17 | 引脚脚距: 17.5mm Formed lead pitch: |
| | 20 | 引脚脚距: 20.0mm Formed lead pitch: |

2、外形尺寸 EXTERNAL DIMENSIONS

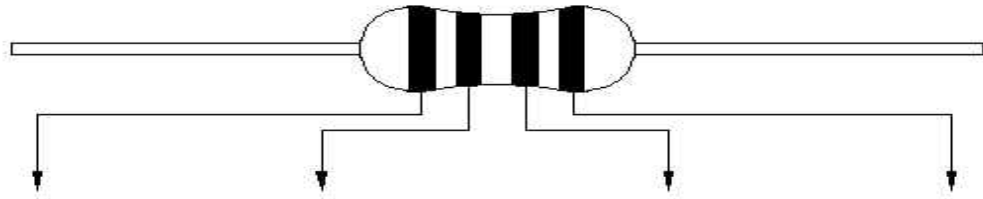
| 类型 Type | 尺寸 Body size (mm) | | | | | |
|------------|------------------------|------|--|---------------|----|--------------------|
| | D | L | t | d | H | |
| AL0204 | 2.3 | 4.2 | t =5.08±0.6 t =7.50±0.6 | 0.50 ±0.05 | 20 | 轴向 (Axial) |
| AL0307 | 2.8 | 7.0 | t =10.0±0.6 t =12.5±0.6 | 0.50 ±0.05 | | 直脚成型 (L type) |
| AL0410 | 4.0 | 10.5 | t =12.5±0.6 t =15.0±0.6 t =17.5±0.6 t =20.0±0.6 | 0.60 ±0.05 | | 弯脚成型 (V type) |
| AL0510 | 5.0 | 10.5 | t =15.0±0.6 t =17.5±0.6 t =20.0±0.6 | 0.65 ±0.05 | | 弯脚 K 型 (VK type) |

3、产品结构 STRUCTURE



| 序号 NO. | 磁芯 Core | 漆包线 Wire | 引脚 Lead | 涂覆层 Coating | 色码 Color code |
|-----------------------|----------------|------------------------|----------------------------|---------------------|---|
| 材料名称 Material name | 铁氧体 Ferrite | 漆包铜线 Enamelled wire | 镀锡铜线 Tinned copper wire | 环氧树脂 Epoxy resin | 环氧色漆 Epoxy paint for Color coding |

4、色码标记代号 MARKING



| | 标称电感量 Nominal inductance (μH) | | | 感量偏差 Tolerance |
|-------------|---|------------------------------------|------------------------------------|------------------------------------|
| | 第一色环 1 st color zone | 第二色环 2 nd color zone | 第三色环 3 rd color zone | 第四色环 4 th color zone |
| | 第一数字 1 st digit | 第二数字 2 nd digit | 第三数字 3 rd digit | |
| 黑 Black | 0 | 0 | $\times 10^0 (1)$ | M : $\pm 20\%$ |
| 棕 Brown | 1 | 1 | $\times 10^1 (10)$ | |
| 红 Red | 2 | 2 | $\times 10^2 (100)$ | |
| 橙 Orange | 3 | 3 | $\times 10^3 (1000)$ | |
| 黄 Yellow | 4 | 4 | $\times 10^4 (10000)$ | |
| 绿 Green | 5 | 5 | $\times 10^5 (100000)$ | |
| 蓝 Blue | 6 | 6 | | |
| 紫 Purple | 7 | 7 | | |
| 灰 Gray | 8 | 8 | | |
| 白 White | 9 | 9 | | |
| 金 Gold | / | / | $\times 10^{-1} (0.1)$ | J : $\pm 5\%$ |
| 银 Silver | / | / | $\times 10^{-2} (0.01)$ | K : $\pm 10\%$ |

*例如 e.g. :

标称电感量及偏差为 $22\mu\text{H}, \pm 5\%$ 的电感器其色码为：红+红+黑+金；

If nominal inductance & tolerance is $22\mu\text{H}, \pm 5\%$, respectively red+red+black+gold should be marked;

标称电感量及偏差为 $1.0\mu\text{H}, \pm 10\%$ 的电感器其色码为：棕+黑+金+银；

If nominal inductance & tolerance is $1.0\mu\text{H}, \pm 10\%$, respectively brown+black+gold+silver should be marked;

标称电感量及偏差为 $0.22\mu\text{H}, \pm 20\%$ 的电感器其色码为：红+红+银+黑。

If nominal inductance & tolerance is $0.22\mu\text{H}, \pm 20\%$, respectively red+red+silver+black should be marked.

备注：LGA0204 由于体长较小，只标注前三条代表标称电感量的色码。

NOTE: Only the first three color zones are marked on the body of LGA0204, due to the small body size.

5、电性能参数及测试条件

ELECTRICAL CHARACTERISTICS & TEST CONDITIONS

AL0204 型电感器电性能参数及测试条件

AL0204 TYPE INDUCTORS ELECTRICAL CHARACTERISTICS & TEST CONDITIONS

| AL0204 类型 Type | 电感量 Inductance (μH) | 误差 Tolerance | Q (min) | 直流电阻 RDC (Ω) max | 测试频率 Test frequency (MHz) | 自谐频率 SRF (MHz) min | 额定电流 Rated current I _{bc} (mA) max |
|--------------------------------|--|-------------------|------------|---------------------------------|---------------------------------|--------------------------|---|
| AL0204-R22 | 0.22 | M : $\pm 20\%$ | 35 | 0.40 | 25.2 | 150 | 400 |
| AL0204-R27 | 0.27 | | | 380 | | | |
| AL0204-R33 | 0.33 | | | 370 | | | |
| AL0204-R39 | 0.39 | | | 350 | | | |
| AL0204-R47 | 0.47 | | | 330 | | | |
| AL0204-R56 | 0.56 | | | 320 | | | |
| AL0204-R68 | 0.68 | | | 310 | | | |
| AL0204-R82 | 0.82 | | | 290 | | | |
| AL0204-1R0 | 1.0 | | | 270 | | | |
| AL0204-1R2 | 1.2 | | | K : $\pm 10\%$ | | | 40 |
| AL0204-1R5 | 1.5 | 80 | 250 | | | | |
| AL0204-1R8 | 1.8 | 60 | 240 | | | | |
| AL0204-2R2 | 2.2 | 45 | 230 | | | | |
| AL0204-2R7 | 2.7 | 40 | 220 | | | | |
| AL0204-3R3 | 3.3 | 38 | 210 | | | | |
| AL0204-3R9 | 3.9 | 35 | 200 | | | | |
| AL0204-4R7 | 4.7 | 32 | 190 | | | | |
| AL0204-5R6 | 5.6 | 30 | 180 | | | | |
| AL0204-6R8 | 6.8 | 28 | 175 | | | | |
| AL0204-8R2 | 8.2 | 26 | 165 | | | | |
| AL0204-100 | 10 | J : $\pm 5\%$ | 40 | 2.5 | 2.52 | 24 | 160 |
| AL0204-120 | 12 | | | 22 | | 150 | |
| AL0204-150 | 15 | | | 20 | | 145 | |
| AL0204-180 | 18 | | | 18 | | 140 | |
| AL0204-220 | 22 | | | 17 | | 130 | |
| AL0204-270 | 27 | | | 16 | | 80 | |
| AL0204-330 | 33 | | | 14 | | 76 | |
| AL0204-470 | 47 | | | 12 | | 70 | |
| AL0204-560 | 56 | | | 11 | | 68 | |
| AL0204-680 | 68 | | | 10 | | 64 | |
| AL0204-820 | 82 | 9.5 | 46 | | | | |
| AL0204-101 | 100 | 9.0 | 44 | | | | |
| AL0204-121 | 120 | 8.0 | 42 | | | | |
| AL0204-151 | 150 | 6.0 | 39 | | | | |
| AL0204-181 | 180 | 5.5 | 37 | | | | |
| AL0204-221 | 220 | 5.0 | 35 | | | | |
| 测试仪器 Test equipment | HP4285A (HP4286A , HP4287A) | | | HP4338B | | HM9461 | HP42841A |
| 环境温度 Ambient temperature | 18 ~ 25 | | | | | | |
| 环境湿度 Ambient humidity | 45%~75% | | | | | | |

特殊要求的产品可以根据客户要求生产

The products can be customized according to customer requirement.

AL0307 型电感器电性能参数及测试条件
LGA0307 TYPE INDUCTORS ELECTRICAL CHARACTERISTICS & TEST CONDITIONS

| AL0307 类型 Type | 电感量 Inductance (μH) | 误差 Tolerance | Q (min) | 直流电阻 RDC (Ω) max | 测试频率 Test frequency (MHz) | 自谐振频率 SRF (MHz) min | 额定电流 Rated current I _{dc} (mA) max | | | |
|-----------------------------|--|-------------------|-------------------|---------------------------------|---------------------------------|---------------------------|---|----------|-----|-----|
| AL0307-R22 | 0.22 | M : $\pm 20\%$ | 35 | 0.40 | 25.2 | 150 | 400 | | | |
| AL0307-R27 | 0.27 | | | 380 | | | | | | |
| AL0307-R33 | 0.33 | | | 370 | | | | | | |
| AL0307-R39 | 0.39 | | | 350 | | | | | | |
| AL0307-R47 | 0.47 | | 40 | 0.56 | | | 330 | | | |
| AL0307-R56 | 0.56 | | | 0.61 | | | 320 | | | |
| AL0307-R68 | 0.68 | | | 0.67 | | | 310 | | | |
| AL0307-R82 | 0.82 | | | 0.74 | | | 290 | | | |
| AL0307-1R0 | 1.0 | | 0.80 | 270 | | | | | | |
| AL0307-1R2 | 1.2 | | K : $\pm 10\%$ | 50 | | | 0.90 | 7.96 | 144 | 260 |
| AL0307-1R5 | 1.5 | | | | | | 1.0 | | 131 | 250 |
| AL0307-1R8 | 1.8 | | | | | | 1.1 | | 121 | 240 |
| AL0307-2R2 | 2.2 | | | | | | 1.2 | | 110 | 230 |
| AL0307-2R7 | 2.7 | | | | | | 1.3 | | 100 | 220 |
| AL0307-3R3 | 3.3 | | | | | | 1.4 | | 94 | 210 |
| AL0307-3R9 | 3.9 | | | | | | 1.6 | | 65 | 200 |
| AL0307-4R7 | 4.7 | | | | | | 1.7 | | 56 | 190 |
| AL0307-5R6 | 5.6 | | | | | | 1.9 | | 48 | 180 |
| AL0307-6R8 | 6.8 | 2.0 | | | 37 | 175 | | | | |
| AL0307-8R2 | 8.2 | 2.2 | | | 25 | 165 | | | | |
| AL0307-100 | 10 | 2.5 | | | 21 | 160 | | | | |
| AL0307-120 | 12 | 2.5 | | | 19 | 150 | | | | |
| AL0307-150 | 15 | 2.8 | | | 17 | 145 | | | | |
| AL0307-180 | 18 | 3.1 | | | 13 | 140 | | | | |
| AL0307-220 | 22 | 3.4 | | | 9.6 | 130 | | | | |
| AL0307-270 | 27 | 3.8 | | | 7.2 | 125 | | | | |
| AL0307-330 | 33 | 4.1 | | | 6.3 | 120 | | | | |
| AL0307-390 | 39 | 4.5 | 6.3 | 115 | | | | | | |
| AL0307-470 | 47 | 4.9 | 6.3 | 110 | | | | | | |
| AL0307-560 | 56 | 5.3 | 6.2 | 105 | | | | | | |
| AL0307-680 | 68 | 5.8 | 5.7 | 100 | | | | | | |
| AL0307-820 | 82 | 6.3 | 5.3 | 95 | | | | | | |
| AL0307-101 | 100 | J : $\pm 5\%$ | 50 | 7.0 | 0.796 | 4.8 | 90 | | | |
| AL0307-121 | 120 | | | 13.0 | | 3.8 | 90 | | | |
| AL0307-151 | 150 | | | 15.0 | | 3.5 | 85 | | | |
| AL0307-181 | 180 | | | 16.0 | | 3.3 | 80 | | | |
| AL0307-221 | 220 | | | 17.0 | | 3.0 | 75 | | | |
| AL0307-271 | 270 | | | 19.0 | | 2.8 | 65 | | | |
| AL0307-331 | 330 | | | 20.0 | | 2.6 | 60 | | | |
| AL0307-391 | 390 | | | 22.0 | | 2.4 | 55 | | | |
| AL0307-471 | 470 | | | 24.0 | | 2.25 | 55 | | | |
| AL0307-561 | 560 | | | 26.0 | | 2.10 | 50 | | | |
| AL0307-681 | 680 | | | 28.0 | | 1.95 | 45 | | | |
| AL0307-821 | 820 | | | 30.0 | | 1.85 | 40 | | | |
| AL0307-102 | 1000 | | | 33.0 | | 1.40 | 40 | | | |
| 测试仪器 Test equipment | HP4285A (HP4286A ,HP4287A) | | | HP4338B | | | HM9461 | HP42841A | | |
| 环境温度 Ambient temperature | 18 ~ 25 | | | | | | | | | |
| 环境湿度 Ambient humidity | 45%~75% | | | | | | | | | |

特殊要求的产品可以根据客户要求生产

The products can be customized according to customer requirement.

AL0410 型电感器电性能参数及测试条件
AL0410 TYPE INDUCTORS ELECTRICAL CHARACTERISTICS & TEST CONDITIONS

| LGA0410 类型 Type | 电感量 Inductance (μH) | 误差 Tolerance | Q (min) | 直流电阻 RDC (Ω) max | 测试频率 Test frequency (MHz) | 自谐振频率 SRF (MHz) min | 额定电流 Rated current I _{bc} (mA) max |
|--------------------------------|--|-------------------|------------|---------------------------------|---------------------------------|---------------------------|---|
| AL0410-R22 | 0.22 | M : $\pm 20\%$ | 45 | 0.10 | 25.2 | 300 | 1400 |
| AL0410-R27 | 0.27 | | 45 | 0.11 | | 270 | 1320 |
| AL0410-R33 | 0.33 | | 45 | 0.12 | | 250 | 1280 |
| AL0410-R39 | 0.39 | | 45 | 0.13 | | 230 | 1200 |
| AL0410-R47 | 0.47 | | 45 | 0.14 | | 220 | 1150 |
| AL0410-R56 | 0.56 | | 45 | 0.15 | | 200 | 1122 |
| AL0410-R68 | 0.68 | | 45 | 0.16 | | 190 | 1030 |
| AL0410-R82 | 0.82 | | 45 | 0.17 | | 172 | 980 |
| AL0410-1R0 | 1.0 | | 45 | 0.19 | | 157 | 920 |
| AL0410-1R2 | 1.2 | | 50 | 0.21 | | 144 | 880 |
| AL0410-1R5 | 1.5 | 50 | 0.23 | 131 | 830 | | |
| AL0410-1R8 | 1.8 | 55 | 0.25 | 121 | 790 | | |
| AL0410-2R2 | 2.2 | 55 | 0.28 | 110 | 750 | | |
| AL0410-2R7 | 2.7 | 60 | 0.30 | 100 | 720 | | |
| AL0410-3R3 | 3.3 | 65 | 0.34 | 94 | 670 | | |
| AL0410-3R9 | 3.9 | 65 | 0.37 | 65 | 640 | | |
| AL0410-4R7 | 4.7 | 70 | 0.39 | 56 | 620 | | |
| AL0410-5R6 | 5.6 | 70 | 0.43 | 48 | 590 | | |
| AL0410-6R8 | 6.8 | 75 | 0.48 | 37 | 550 | | |
| AL0410-8R2 | 8.2 | 80 | 0.52 | 25 | 530 | | |
| AL0410-100 | 10 | 65 | 0.58 | 21 | 500 | | |
| AL0410-120 | 12 | 50 | 0.63 | 19 | 480 | | |
| AL0410-150 | 15 | 50 | 0.72 | 17 | 460 | | |
| AL0410-180 | 18 | 50 | 0.77 | 13 | 430 | | |
| AL0410-220 | 22 | 50 | 0.84 | 9.6 | 410 | | |
| AL0410-270 | 27 | 55 | 0.94 | 7.2 | 390 | | |
| AL0410-330 | 33 | 55 | 1.03 | 6.3 | 370 | | |
| AL0410-390 | 39 | 50 | 1.12 | 6.3 | 350 | | |
| AL0410-470 | 47 | 45 | 1.22 | 6.3 | 340 | | |
| AL0410-560 | 56 | 40 | 1.34 | 6.2 | 320 | | |
| AL0410-680 | 68 | 40 | 1.47 | 5.7 | 305 | | |
| AL0410-820 | 82 | 35 | 1.62 | 5.3 | 290 | | |
| AL0410-101 | 100 | 30 | 1.80 | 4.8 | 275 | | |
| AL0410-121 | 120 | 55 | 3.70 | 3.8 | 185 | | |
| AL0410-151 | 150 | 45 | 4.20 | 3.5 | 175 | | |
| AL0410-181 | 180 | 50 | 4.60 | 3.3 | 165 | | |
| AL0410-221 | 220 | 55 | 5.10 | 3.0 | 155 | | |
| AL0410-271 | 270 | 65 | 5.80 | 2.8 | 145 | | |
| AL0410-331 | 330 | 65 | 6.40 | 2.6 | 137 | | |
| AL0410-391 | 390 | 65 | 7.00 | 2.4 | 133 | | |
| AL0410-471 | 470 | 60 | 7.70 | 2.25 | 126 | | |
| AL0410-561 | 560 | 60 | 8.50 | 2.10 | 120 | | |
| AL0410-681 | 680 | 55 | 9.40 | 1.95 | 113 | | |
| AL0410-821 | 820 | 55 | 10.50 | 1.85 | 105 | | |
| AL0410-102 | 1000 | 50 | 14.00 | 1.40 | 100 | | |
| 测试仪器 Test equipment | HP4285A (HP4286A ,HP4287A) | | | HP4338B | | HM9461 | HP42841A |
| 环境温度 Ambient temperature | 18 ~ 25 | | | | | | |
| 环境湿度 Ambient humidity | 45%~75% | | | | | | |

特殊要求的产品可以根据客户要求生产

The products can be customized according to customer requirement.

AL0510 型电感器电性能参数及测试条件

AL0510 TYPE INDUCTORS ELECTRICAL CHARACTERISTICS & TEST CONDITIONS

| AL0510 类型 Type | 电感量 Inductance (μH) | 误差 Tolerance | Q (min) | 直流电阻 RDC (Ω) max | 测试频率 Test frequency (MHz) | 自谐频率 SRF (MHz) min | 额定电流 Rated current I_{DC} (mA) max |
|--------------------------------|--|-------------------|------------|---------------------------------|---------------------------------|--------------------------|--|
| AL0510-471 | 470 | M : $\pm 20\%$ | 60 | 7.70 | 0.796 | 1.9 | 126 |
| AL0510-561 | 560 | | 50 | 8.50 | | 1.8 | 120 |
| AL0510-681 | 680 | | 55 | 9.00 | | 1.5 | 113 |
| AL0510-821 | 820 | | 45 | 10.5 | | 1.2 | 105 |
| AL0510-102 | 1000 | K : $\pm 10\%$ | 45 | 14.0 | 0.252 | 1.0 | 100 |
| AL0510-122 | 1200 | | 40 | 16.9 | | 0.95 | 95 |
| AL0510-152 | 1500 | | 40 | 21.6 | | 0.90 | 90 |
| AL0510-182 | 1800 | | 40 | 24.0 | | 0.85 | 85 |
| AL0510-222 | 2200 | J : $\pm 5\%$ | 40 | 34.7 | 0.252 | 0.80 | 80 |
| AL0510-272 | 2700 | | 40 | 40.0 | | 0.75 | 75 |
| AL0510-332 | 3300 | | 40 | 59.5 | | 0.70 | 62 |
| AL0510-392 | 3900 | | 40 | 66.0 | | 0.65 | 59 |
| AL0510-472 | 4700 | J : $\pm 5\%$ | 40 | 74.0 | 0.252 | 0.60 | 55 |
| AL0510-562 | 5600 | | 30 | 80.0 | | 0.50 | 40 |
| AL0510-682 | 6800 | | 30 | 85.0 | | 0.45 | 35 |
| AL0510-822 | 8200 | | 30 | 95.0 | | 0.40 | 30 |
| AL0510-103 | 10000 | | 20 | 105.0 | 0.0796 | 0.35 | 25 |
| 测试仪器 Test equipment | HP4285A (HP4286A , HP4287A) | | | HP4338B | | HM9461 | HP42841A |
| 环境温度 Ambient temperature | 18 ~ 25 | | | | | | |
| 环境湿度 Ambient humidity | 45%~75% | | | | | | |

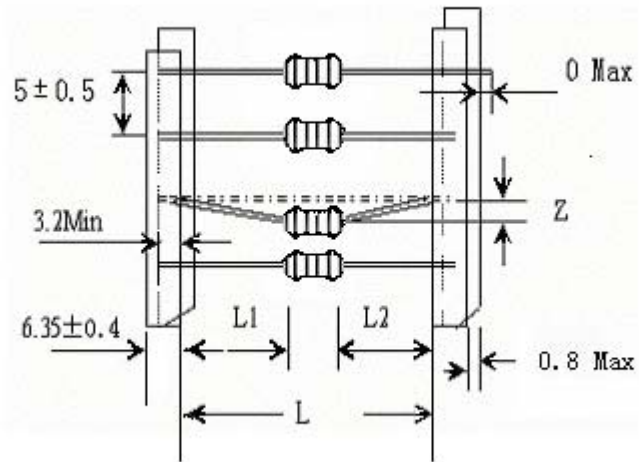
特殊要求的产品可以根据客户要求生产

The products can be customized according to customer requirement.

6、包装方式 PACKAGING STYLE

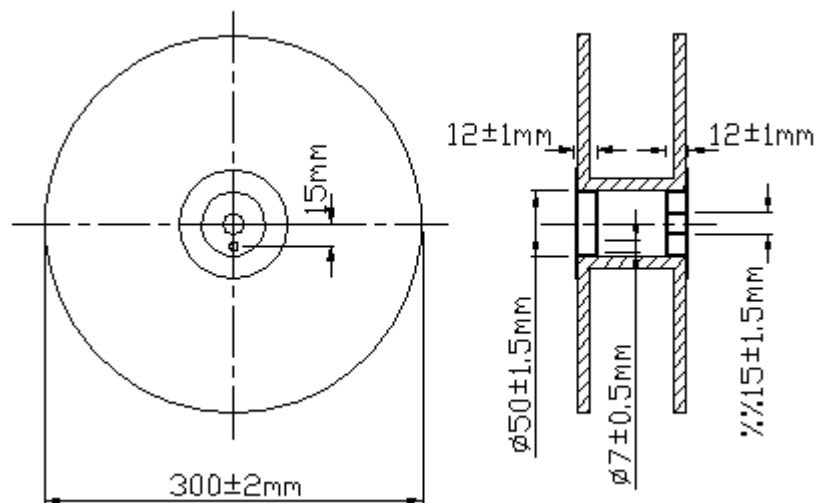
编带尺寸 Taping dimensions

单位 Unit : mm

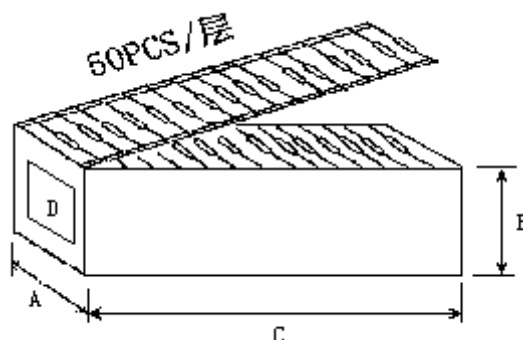


| 编带方式 Tape style | L | Z | L1-L2 |
|------------------------|------------------------------------|---------|---------|
| 编带内距: 26 Tape width | 26 ± 1.0 | 0.8 Max | 1.0 Max |
| 编带内距: 52 Tape width | 52 ^{+2.0} _{-1.0} | 1.2 Max | |

卷带包装尺寸 Tape & reel packaging dimensions



盒带包装尺寸 Ammo packaging dimensions



● 包装盒尺寸 Dimensions of box

单位 Unit : mm

| 编带类型 Tape type | 尺寸 Dimensions (± 5mm) | | |
|-------------------|----------------------------|----|-----|
| | A | B | C |
| 52 | 75 | 82 | 260 |
| 26 | 50 | 82 | 260 |

● 包装数量 Packaging quantity

| 包装方式 Packaging style | 盒带包装 Ammo | 卷带包装 Tape & reel | 散包装 Bulk |
|-------------------------|--------------|---------------------|-------------|
| 包装数量 Quantity | 2000 | 2000 | 1000 |

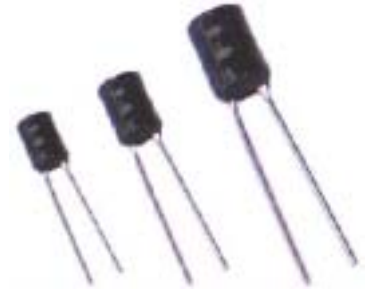
可根据用户需求包装

Packaging according to customer 's requirement

1、订货代码 HOW TO ORDER

举例 For example

VL P 0608 - 100 K F



A:

| 产品类别 Product type | |
|----------------------|------------------------------------|
| VL | 立式固定电感器 Vertical fixed inductor |

B:

| 封装形式 Envelopment configuration | |
|-----------------------------------|----------------------|
| U | UL 套管 UL sleeve |
| P | PVC 套管 PVC sleeve |
| B | 树脂包封 Resin |

C:

| 尺寸 Dimensions (mm) | | |
|-------------------------|-----------------|-----------------|
| 类型 Type | 外径 C_{max} | 体长 A_{max} |
| 0304 | 4.0 | 5.0 |
| 0406 | 5.0 | 7.0 |
| 0608 | 7.0 | 9.5 |
| 0810 | 9.0 | 11.0 |
| 0912 | 10.0 | 13.0 |
| 1012 | 11.0 | 13.0 |

D:

| 标称电感量 Nominal inductance (μ H) | |
|---|--|
| 前两位数字为有效数字，后一位数字表示零的个数。 The first two digits are significant, and the third digit is number of zero. | |
| *例如 For example : | |
| 101=100 μ H | |
| 5R6=5.6 μ H | |
| R47=0.47 μ H | |

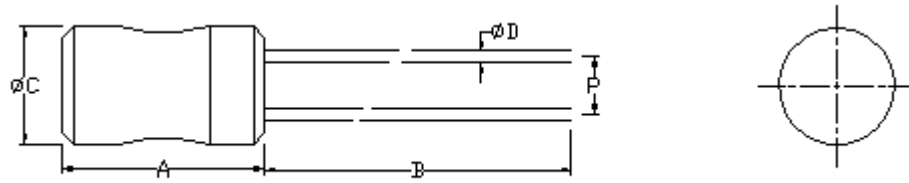
E :

| 感量偏差 Tolerance | |
|-------------------|-------------|
| J | $\pm 5.0\%$ |
| K | $\pm 10\%$ |
| M | $\pm 20\%$ |

F :

| 包装方式 Packaging style | |
|-------------------------|-------------|
| F | 散包装 Bulk |

2、构造 (外形及尺寸) STRUCTURE (EXTERNAL DIMENSIONS)

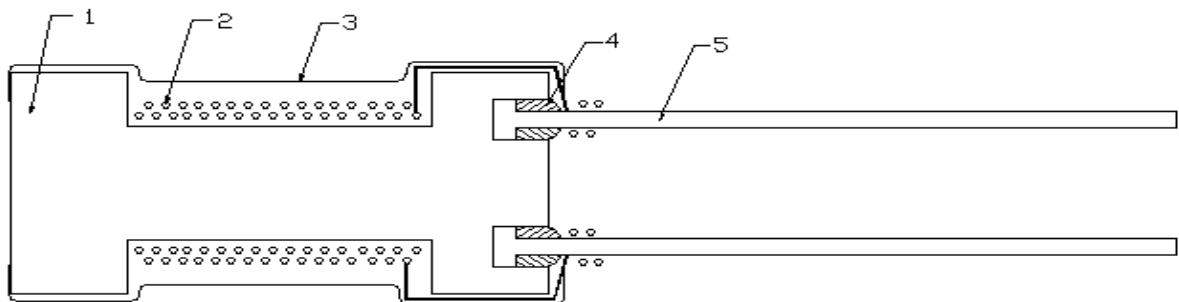


| 类型 Type | 尺寸 Dimensions (mm) | | | | |
|---------|--------------------|--------|--------|-------------|-----------|
| | C(max) | A(max) | B(min) | D | P |
| 0304 | 4.0 | 5.0 | 5.0 | 0.50 ± 0.05 | 2.0 ± 1.0 |
| 0406 | 5.0 | 7.0 | 15.0 | 0.50 ± 0.05 | 2.0 ± 1.0 |
| 0608 | 7.0 | 9.5 | 15.0 | 0.60 ± 0.05 | 2.5 ± 1.0 |
| 0810 | 9.0 | 11.0 | 15.0 | 0.60 ± 0.05 | 3.5 ± 1.5 |
| 0912 | 11.5 | 13.0 | 15.0 | 0.65 ± 0.05 | 5.0 ± 1.5 |
| 1012 | 12.5 | 13.0 | 15.0 | 0.65 ± 0.05 | 6.0 ± 1.5 |

特殊要求的产品可以根据客户要求生产

The products can be customized according to customer requirement.

3、产品结构 STRUCTURE



| 序号 NO. | 部件名称 Parts name | 材料名称 Material name |
|--------|-----------------|-------------------------|
| 1 | 磁芯 core | 铁氧体 Ferrite |
| 2 | 漆包线 Wire | 漆包铜线 Enamelled wire |
| 3 | 外套管 Sleeve | PVC/UL/树脂 PVC /UL/Resin |
| 4 | 接脚剂 Adhesive | 接脚树脂 Resin |
| 5 | 引脚 Lead | 镀锡铜线 Tinned copper wire |

4、包装方式&数量 PACKAGING STYLE & QUANTITY

| | |
|-------------------------|----------|
| 包装方式 Packaging style | 散包装 Bulk |
| 包装数量 Quantity | 500 pcs |

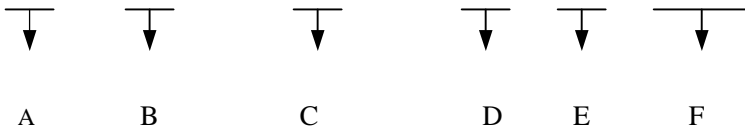
可根据用户需求包装

Packaging according to customer 's requirement

1、订货代码 HOW TO ORDER

举例 For example

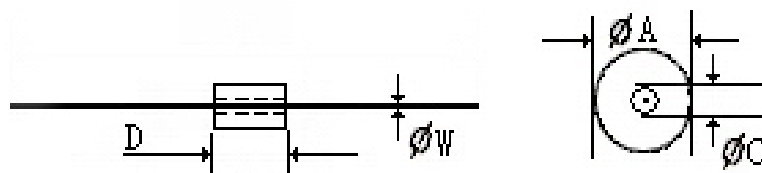
RH 3.5 × 0.8 × 4.7 P52 (LG851)



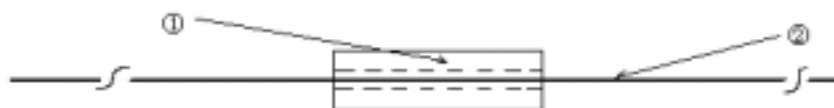
| 项目 Item | 代码 Code | 描述 Description |
|------------|------------|--------------------------|
| A | RH | 穿芯电感 Bead core inductor |
| B | 3.5 | 外径尺寸 Outer diameter A |
| C | 0.8 | 内径尺寸 Inside diameter C |
| D | 4.7 | 磁体长度 Body length D |
| E | P52 | 编带包装内距 Tape width : 52mm |
| F | (LG851) | 材料编号 Material name |

2、外形尺寸 EXTERNAL DIMENSIONS

| 型号规格 Type | 尺寸 Dimensions (mm) | | | |
|---------------------|--------------------|-----------|------------|-------------|
| | A | C | D | W |
| RH 3.5 × 0.8 × 4.7 | 3.5 ± 0.2 | 0.8 ± 0.1 | 4.7 ± 0.3 | 0.65 ± 0.05 |
| RH 3.5 × 0.8 × 6.0 | 3.5 ± 0.2 | 0.8 ± 0.1 | 6.0 ± 0.3 | 0.65 ± 0.05 |
| RH 3.5 × 0.8 × 9.0 | 3.5 ± 0.2 | 0.8 ± 0.1 | 9.0 ± 0.3 | 0.65 ± 0.05 |
| RH 3.5 × 1.0 × 12.0 | 3.5 ± 0.2 | 0.8 ± 0.1 | 12.0 ± 0.5 | 0.80 ± 0.05 |



3、产品结构 STRUCTURE



| | | |
|-----------------------|----------------------------|----------------------------|
| 项目 Item | 磁体 Core | 引脚 Lead |
| 材料名称 Material name | Ni-Zn 铁氧体 Ni-Zn Ferrite | 镀锡铜线 Tinned copper Wire |

4、主要电性能参数 ELECTRICAL CHARACTERISTICS

| 型号规格 Type | 阻抗 Impedance () (@25MHz) | 阻抗 Impedance () (@100MHz) |
|-----------------------------|--------------------------------|---------------------------------|
| RH 3.5 × 0.8 × 4.7 (LG851) | 30 (Min) | 50.0 (Min) |
| RH 3.5 × 0.8 × 6.0 (LG851) | 40 (Min) | 70.0 (Min) |
| RH 3.5 × 0.8 × 9.0 (LG851) | 60 (Min) | 100.0 (Min) |
| RH 3.5 × 1.0 × 12.0 (LG851) | 80 (Min) | 120.0 (Min) |

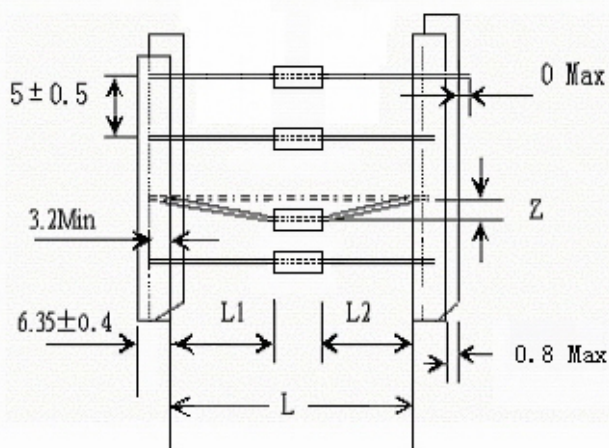
不同规格的产品可以根据客户要求生产

The products can be customized according to customer requirement.

5、包装方式 PACKAGING STYLE

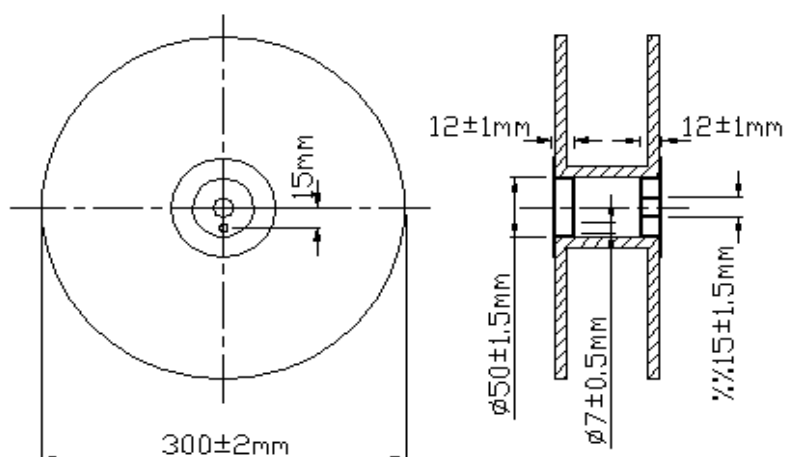
编带尺寸 Taping dimensions

单位 Unit : mm

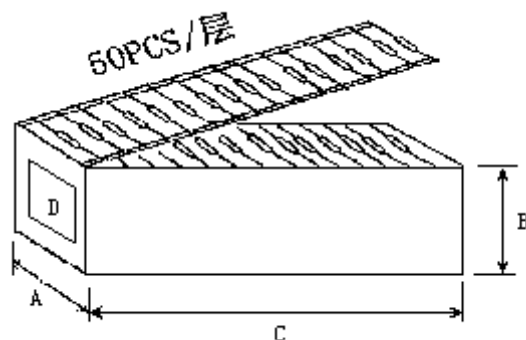


| 编带方式 Tape style | L | Z | L1-L2 |
|---------------------|------------------------------------|---------|---------|
| 编带内距 Tape width: 26 | 26 ± 1.0 | 0.8 Max | 1.0 Max |
| 编带内距 Tape width: 52 | 52 ^{+2.0} _{-1.0} | 1.2 Max | |

卷带包装尺寸 Tape & reel packaging dimensions



盒带包装尺寸 Ammo packaging dimensions



* D：贴标签 label

● 包装盒尺寸 Dimensions of box

单位 Unit：mm

| 编带类型 Tape type | 尺寸 Dimensions (± 5mm) | | |
|-------------------|-------------------------|----|-----|
| | A | B | C |
| 52 | 86 | 72 | 260 |
| 26 | 50 | 72 | 260 |

● 包装数量 Packaging quantity

| 包装方式 Packaging style | 盒带包装 Ammo | 卷带包装 Tape & reel | 散包装 Bulk |
|-------------------------|--------------|---------------------|-------------|
| 包装数量 Quantity | 2000 | 5000 | 500 |

可根据用户需求包装

Packaging according to customer 's requirement