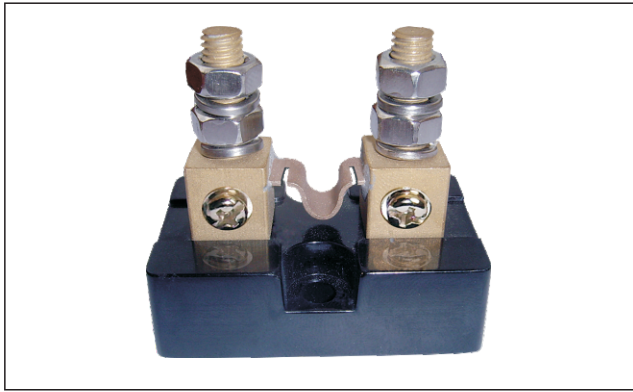


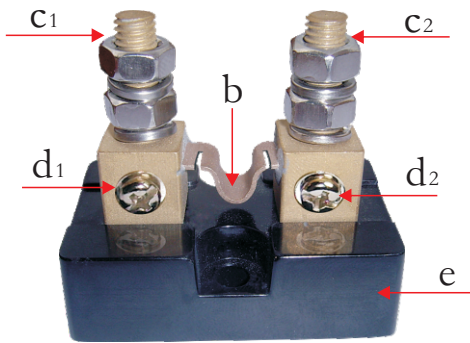
STL 5A~1200A分流器 Shunts



分流器为电子设备或系统提供准确的毫伏信号和电流信号，在过负荷保护、控制装置、仪器仪表、电源供应等领域，有广泛应用。

A range of direct current shunts which provides an accurate millivolt signal, exactly proportional to the system current. they can be used to drive ammeter indicators, overload protection and control devices, these shunts enable the measurement of D.C. current in ranges from 10A to 10000A with various output options available.

● 结构图 Construction



b	精密锰铜	Precision manganin
C1、C2	输入电流端	Input terminal
d1、d2	输出电压端	Output terminal
e	底座	Base

● 特性 Features

- I 高可靠性 High reliability
- II 高过载能力 High over loading ability
- III 极低的电感 Extremely low inductance

● 应用范围 Applications

- I 用于扩大仪表的测量电流范围
Used for extending the current range of measure
- II 可用于均流或取样检测
Current balance or sampling for testing
- III 自动化控制的电源限流
Automation control to limit the current

● 参考规格 Reference Standards

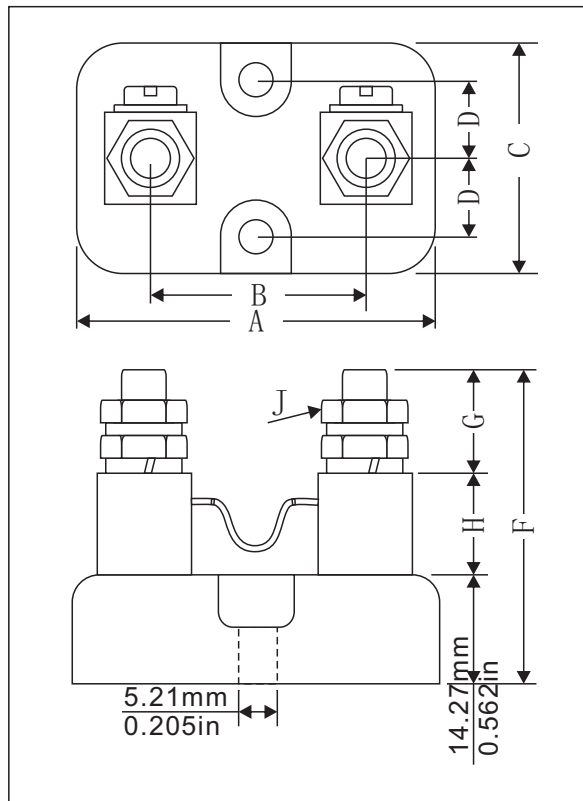
JIS C 5201-1

● 料号编号 Ordering Information

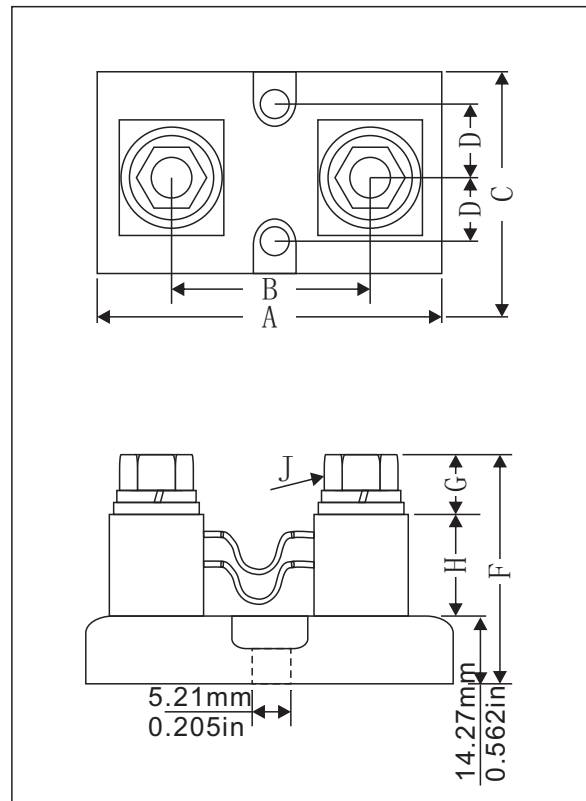
例 example

STL	100A	50mV	D	C	B
型号 Type	额定电流 Rated Current	额定压降 (V) Rated drop	误差值 Tolerance	温度系数 T.C.R	盒装方式 Packing
	125A 100A 75A 50A 25A	50mV 60mV 70mV 100mV 150mV	D: ±0.5% F: ±1%	C3: ±25ppm C4: ±20ppm C5: ±15ppm	B: 盒装 Boxes

外形尺寸 Dimensions



5A—150A



170A—1200A

规格型号	电流 (A)	A		B		C		D		F		G		H		J	
		mm	in	mm	in	mm	in	mm	in	mm	in	mm	in	mm	in	mm	in
STL-5-50	5	50.8	2	25.4	1	31.75	1.25	11.1	0.437	42.88	1.688	15.88	0.625	12.7	0.5	6.35*28	0.25*28
STL-10-50	10	50.8	2	25.4	1	31.75	1.25	11.1	0.437	42.88	1.688	15.88	0.625	12.7	0.5	6.35*28	0.25*28
STL-15-50	15	50.8	2	25.4	1	31.75	1.25	11.1	0.437	42.88	1.688	15.88	0.625	12.7	0.5	6.35*28	0.25*28
STL-23-50	20	50.8	2	25.4	1	31.75	1.25	11.1	0.437	42.88	1.688	15.88	0.625	12.7	0.5	6.35*28	0.25*28
STL-30-50	30	50.8	2	25.4	1	31.75	1.25	11.1	0.437	42.88	1.688	15.88	0.625	12.7	0.5	6.35*28	0.25*28
STL-50-50	50	50.8	2	25.4	1	31.75	1.25	11.1	0.437	42.88	1.688	15.88	0.625	12.7	0.5	6.35*28	0.25*28
STL-75-50	75	50.8	2	25.4	1	31.75	1.25	11.1	0.437	42.88	1.688	15.88	0.625	12.7	0.5	6.35*28	0.25*28
STL-80-50	80	50.8	2	25.4	1	31.75	1.25	11.1	0.437	42.88	1.688	15.88	0.625	12.7	0.5	6.35*28	0.25*28
STL-85-50	85	50.8	2	25.4	1	31.75	1.25	11.1	0.437	42.88	1.688	15.88	0.625	12.7	0.5	6.35*28	0.25*28
STL-100-50	100	50.8	2	25.4	1	31.75	1.25	11.1	0.437	42.88	1.688	15.88	0.625	12.7	0.5	6.35*28	0.25*28
STL-150-50	150	50.8	2	25.4	1	31.75	1.25	11.1	0.437	42.88	1.688	15.88	0.625	12.7	0.5	6.35*28	0.25*28
STL-170-50	170	82.55	3.25	38.1	1.5	44.45	1.75	15.88	0.625	44.45	1.75	11.13	0.438	19.05	0.75	9.53*16	0.25*28
STL-200-50	200	82.55	3.25	38.1	1.5	44.45	1.75	15.88	0.625	44.45	1.75	11.13	0.438	19.05	0.75	9.53*16×15.88	0.375*16×0.625
STL-250-50	250	82.55	3.25	38.1	1.5	44.45	1.75	15.88	0.625	44.45	1.75	11.13	0.438	19.05	0.75	9.53*16×15.88	0.375*16×0.625
STL-300-50	300	82.55	3.25	38.1	1.5	44.45	1.75	15.88	0.625	44.45	1.75	11.13	0.438	19.05	0.75	9.53*16×15.88	0.375*16×0.625
STL-400-50	400	82.55	3.25	38.1	1.5	44.45	1.75	15.88	0.625	44.45	1.75	11.13	0.438	19.05	0.75	9.53*16×15.88	0.375*16×0.625
STL-450-50	450	82.55	3.25	38.1	1.5	44.45	1.75	15.88	0.625	44.45	1.75	11.13	0.438	19.05	0.75	9.53*16×15.88	0.375*16×0.625
STL-500-50	500	82.55	3.25	38.1	1.5	44.45	1.75	15.88	0.625	44.45	1.75	11.13	0.438	19.05	0.75	9.53*16×15.88	0.375*16×0.625
STL-600-50	600	82.55	3.25	38.1	1.5	44.45	1.75	15.88	0.625	44.45	1.75	11.13	0.438	19.05	0.75	9.53*16×15.88	0.375*16×0.625
STL-800-50	800	114.3	4.5	54.86	2.16	63.5	2.5	25.4	1	53.98	2.125	14.28	0.562	25.4	1	12.7*13×22.23	0.5*13×0.875
STL-1000-50	1000	114.3	4.5	54.86	2.16	63.5	2.5	25.4	1	53.98	2.125	14.28	0.562	25.4	1	12.7*13×22.23	0.5*13×0.875
STL-1200-50	1200	114.3	4.5	54.86	2.16	63.5	2.5	25.4	1	53.98	2.125	14.28	0.562	25.4	1	12.7*13×22.23	0.5*13×0.875

● 性能 Performance

试验项目 Test Items	试验方法 Test Methods(JIS C 5201-1)
准确度等级 Accuracy class	0.5级
环境条件 Ambient temperature&Relative humidity	-40~+60℃相对湿度≤95%(在35℃时) -40~+60℃ Relative Humidity≤95%(at35℃)
过载性能 Overload	额定电流的120%，2小时 Rating current120%,2h
输出电压 Voltage outputs	50mv,60mv,75mv,可提供100mv和150mv产品 50mv ,60mv ,75mv ,100mv ,150mv products are available
表面温升 Surface temperature rise	50A以下不超过80℃；50A以上不超过120℃ Not beyond 80℃ lower than 50A, not exceed 120℃ if higher than 50A.
电阻温度系数 Temperature coefficient	$\pm 25 \times 10^{-6} \text{ } ^\circ\text{C}$; $\pm 50 \times 10^{-6} \text{ } ^\circ\text{C}$; $\pm 100 \times 10^{-6} \text{ } ^\circ\text{C}$;