

2/2-way valves DN 20 to DN 65

For air
 Indirectly solenoid actuated
 Diaphragm valves
 Internal thread G 3/4 to G 2 1/2 or 3/4" NPT to 2 1/2" NPT
 Operating pressure: 0.4 to 8 bar

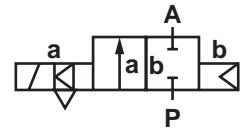
Description (standard valve)

Switching function: normally closed
 Flow direction: determined
 Fluid temperature: -40 °C up to max. +85 °C
 Ambient temperature: -20 °C up to max. +85 °C
 Mounting position: as required, preferably with solenoid vertical on top



Material

Body: Aluminium
 Seat seal: TPE
 Internal parts: TPU



Features

- High flow rate
- All internal components captive
- Functional compact design
- Solenoid interchangeable without tools
- Integrated silencer
- One-piece diaphragm for longer life

Technical data

Connection size G	DN mm	kv-Value m³/h	Part number*	Operating pressure bar	
				TPE 00	ECO/FPM ** 60
3/4	20	18	82963XX.8171.00000	0.4 - 8	0.4 - 8
1	25	22	82964XX.8171.00000	0.4 - 8	0.4 - 8
1 1/2	40	59	82966XX.8171.00000	0.4 - 8	0.4 - 8
2	50	80	82967XX.8171.00000	0.4 - 8	-
2 1/2	65	93	82968XX.8171.00000	0.4 - 8	-

* For orders please state voltage and frequency, e.g.: 8296400.8171.23050 for 230V 50Hz or 8296400.8171.02400 for 24V DC

** Process gas temperature: -10 °C up to +140 °C

Ambient temperature: -10 °C up to +85 °C

Backflushing gas temperature: -10 °C up to +85 °C

Solenoid 8171 (standard voltages)

DC	AC	
	50Hz	60Hz
24V	24V	-
-	110V	120V
-	230V	220V

Power consumption

Solenoid	DC	AC	
		Inrush	Holding
8171	12W	-	-
8171	-	23VA	16VA

Design according to DIN VDE 0580

Voltage range +/-10%, duty cycle 100%

Protection class according to EN 60529: IP65

Electrical connector according to DIN EN 175301-803 (included)

The solenoids are UL listed and CSA approved

Drawing legend

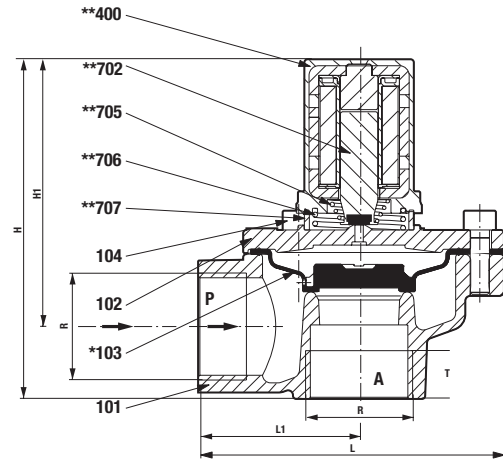
Index	Description
101	Valve body
102	Valve cover
*103	Diaphragm
104	Allen head screw
*105	Diaphragm
106	Valve cover
*107	Silencer
108	Silencer housing
109	Allen head screw
**400	Solenoid
**702	Plunger
**705	Pressure spring
**706	Pressure spring
**707	Silencer
1400	Electrical connector (included)

* A service kit consists of these individual parts.

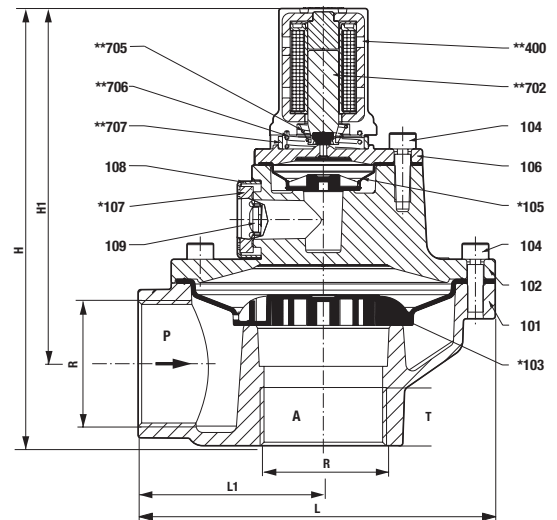
** Pilot service kit including solenoid

Connection size G	H	H1	L	L1
G 3/4	105.5	83	95	50
G 1	105.5	83	95	50
G 1 1/2	166.0	136	135	70
G 2	190.5	149	170	95
G 2 1/2	205.5	160	170	95

G 3/4 - G 1



G 1 1/2 - G 2 1/2



Service kits*

For valves with solenoid 8171 and seal TPE	Part number
8296300	1261253
8296400	1261253
8296600	1261402
8296700	1268274
8296800	1268274

Pilot service kit**

8298000.8170.XXXX***

*** Specify voltage and frequency

Further options (valves)

XXXXX90.XXXX Single-level; up to 4.5 bar (DN 40 only)

Further options (solenoids)

XXXXXXX.8176 Solenoid in protection class

⊗ II 3 GD T 135 °C EEx nA II T4

XXXXXXX.8186 Solenoid in protection class

⊗ II 2 GD EEx me II T4 T 140 °C

Further options on request

Please turn to page 276 for technical information on our valves.