

**Features**

- High volumetric efficiency
- Self-priming and venting
- Low pulsation
- Low noise level
- Low life
- Specially suitable for demanding applications with continuous pressures up to 1000 bar
- Combination with low pressure gear pumps possible

<b>Radial piston pumps</b>	<b>Type BRK</b>
<b>up to 1000 bar</b>	<b>up to 6,33 cm<sup>3</sup>/rev</b>



The valve controlled radial pump is of modular construction and can be supplied with 3, 5 or 7 pistons per bank.

Multi outlet, other displacements, pressure- or revolution ranges on request. Combination with gear pumps as per separate data sheet for BKP.

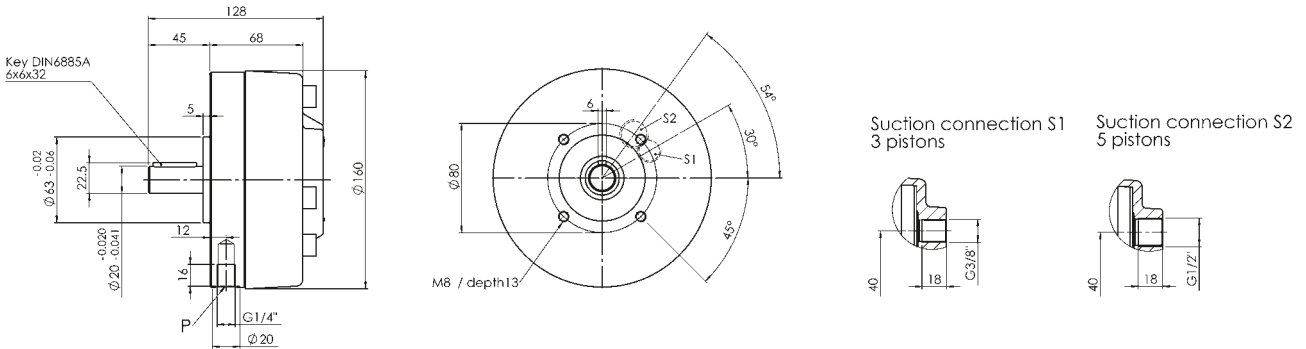
**Technical data**

Hydraulic fluid	mineral oil according to DIN 51524 (other fluids on request)	
Fluid temperature range	NBR: -30 to 80 °C FPM: -20 to 80 °C	
Ambient temperature range	-30 to 50 °C	
Viscosity range	5 to 220 mm <sup>2</sup> /s (optimal: 15 - 35)	
Suction pressure	-0,2 to 0,5 bar relative	
Filtration	according to NAS 1638 class 8 or ISO/DIN 4406 16/14	
Material	pressure flange	
	1 000 bar	steel
	700 bar	cast steel
	driving shaft	steel
	cover	cast aluminium
Weight	see table	
Installation position	any	
Radial force / Axial force onto driving shaft	not allowed	
Direction of rotation	any	
Suction height	max. 500 mm	



**Dimension drawing 2 sizes 01 and 11 up to 1000 bar**

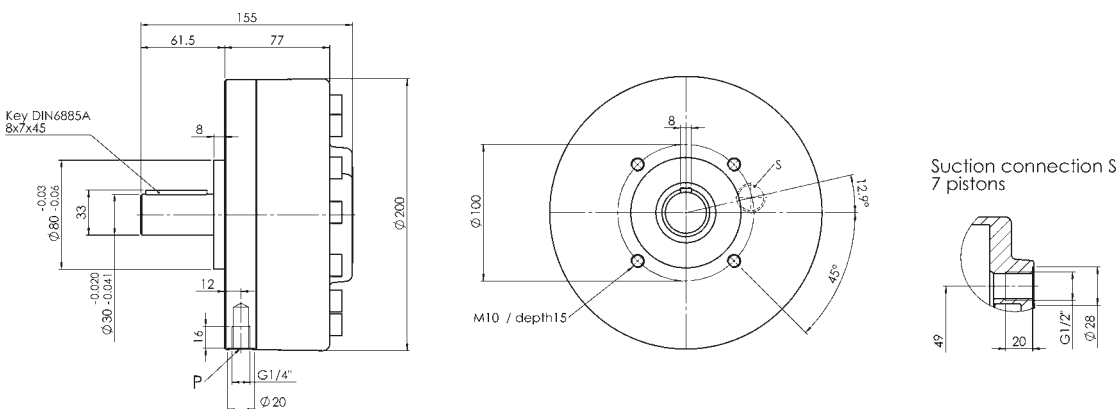
Design revision B

**Radial piston pumps BRK sizes 01 and 11 (dimension drawing 2) up to 1000 bar**

Number of pistons	Piston Ø [mm]	Displacement [cm <sup>3</sup> /rev]	Operating pressure max. [bar]	Speed max. [rpm]	Weight [kg]	Size	Article no. [NBR]	Article no. [FPM]
3	5	0.47	1000	2000	7	01	50225	51033
3	6	0.68	1000	2000	7	01	50591	51034
3	8	1.21	1000	2000	7	11	51021	51029
3	9	1.52	1000	2000	7	11	51022	51030
3	10	1.88	850	2000	7	11	51023	51031
5	5	0.78	1000	2000	7.5	01	50234	53956
5	6	1.13	1000	2000	7.5	01	53957	53958
5	8	2.02	1000	2000	7.5	11	53971	53972
5	9	2.54	1000	2000	7.5	11	53484	53973
5	10	3.14	850	2000	7.5	11	53077	53974

**Dimension drawing 3 sizes 02 and 12 up to 1000 bar**

Design revision B

**Radial piston pumps BRK sizes 02 and 12 (dimension drawing 3) up to 1000 bar**

Number of pistons	Piston Ø [mm]	Displacement [cm <sup>3</sup> /rev]	Operating pressure max. [bar]	Speed max. [rpm]	Weight [kg]	Size	Article no. [NBR]	Article no. [FPM]
7	5	1.09	1000	1800	12.5	02	54074	54075
7	6	1.58	1000	1800	12.5	02	54072	54073
7	8	2.83	1000	1800	12.5	02	54070	54071
7	9	3.56	800	1800	12.5	02	54067	54069
7	9	3.56	1000	1800	12.5	12	54079	54080
7	10	4.40	900	1800	12.5	12	54077	54078
7	12	6.33	850	1800	12.5	12	53310	54076

<b>Radial piston pumps</b>	<b>Type BRK</b>
<b>up to 1000 bar</b>	<b>up to 6,33 cm<sup>3</sup>/rev</b>

Ordering code: Example

BRK	01	-	0,47	-	1000	-	P	-			00
-----	----	---	------	---	------	---	---	---	--	--	----

Radial piston pump

Size

Displacement [cm<sup>3</sup>/rev]

Operating pressure max. [bar]

**Seals**      P (NBR)  
                   V (FPM)

**Special design**

01 ... 99  
 (00 for standard)

**Part index**

Please leave it blank  
 (small letters a-z;  
 different letters do  
 not effect  
 interchangeability)

**Design revision**

see dimension drawings  
 (capital letters A-Z; identical  
 letters equal same connecting  
 dimensions)

As we are constantly improving our products,  
 we keep us the right to change the technical  
 specifications without prior notice.

**Bieri Hydraulik AG**  
 Könizstrasse 274  
 CH-3097 Liebefeld/Switzerland  
 Tel. +41 31 970 09 09  
 Fax +41 31 970 09 10  
 sales@bierihydraulics.com

**BIERI**  
 SWISS HYDRAULICS