



## 用途

GDD型泵是管道式安装的立式单级(单吸或双吸)清水离心泵,由于采用了低转速电机,大幅度降低了运行噪音及振动,延长了轴承及其易损件的使用寿命。本型泵效率高,已获得中国节能产品称号。

广泛应用于工农业给排水、自来水加压、高层建筑生活供水以及中央空调、暖气循环系统中冷冻水及暖水的输送。

## APPLICATIONS

The type of GDD is the vertical single stage (single suction or double suction) inline centrifugal pumps for clean water. They are coupled with low speed motors, the low speed motor can decrease the operating noise and operating vibration, prolong the lifetime of the bearings and wear parts. This type of pumps are high efficiency pumps, it has obtained title of China energy - saving products.

GDD pumps are widely used in industry and agriculture water supply and drainage, water boosting, water supply for high building, central air - conditioning, heating system circulation for cool water or hot water transportation.

## 输送介质

主要供吸送清洁的、无腐蚀的清水及物理化学性质类似水不含固体颗粒或纤维的液体。

## MEDIUM

GDD pumps are for clean water or the liquid similar to clean water in chemical and physical and the water without solid particles or fibers.

## 性能范围

|    |                             |          |
|----|-----------------------------|----------|
| 性能 | 1450r/min                   | 980r/min |
| 流量 | 3.5 - 2340m <sup>3</sup> /h |          |
| 扬程 | 5 - 71m                     |          |
| 功率 | 0.55 - 200kW                |          |

## PERFORMANCE RANGE

|          |                             |          |
|----------|-----------------------------|----------|
| Speed    | 1450r/min                   | 980r/min |
| Capacity | 3.5 - 2340m <sup>3</sup> /h |          |
| Head     | 5 - 71m                     |          |
| Power    | 0.55 - 200kW                |          |

## 工作条件

最高工作温度 : 0 - 105

最大工作压力 : 1.6Mpa

## OPERATING CONDITION

Maximum working temperature : 0 - 105

Maximum working pressure : 1.6MPa

## 泵说明

采用专门设计制造的低转速低噪声电动机驱动，电机和叶轮等转动部件作了平衡试验，特别适用于对环境噪音要求高的场合。该型泵功率在30kW以下的泵的叶轮直接安装在电机加长轴上，37kW以上的泵采用夹式联轴器与电机连接。拆开泵盖和叶轮时不需拆卸吸进和排出管路即可更换密封和叶轮。

出水口处于同一轴线上，而且口径相同，可以象阀门一样安装在管路上，安装方便简单。

## PUMP INSTRUCTION

The low noise and low speed motors are designed specially, the rotor parts of the motor are balanced, such kind of pumps are suitable for the environment which requires low noise condition. If the power is lower than 30Kw, the impeller of pumps are assembled to the motor shaft, if the power is more than 37Kw, the pumps and motors are connected with clamp couplings. It doesn't have to remove the inlet and outlet pipeline when disassembling the pump cover and impeller.

The inlet and outlet are in the same axis and same diameter. It is like a valve assembling in the pipeline, easy installation.

## 旋转方向

从电机往泵方向看，水泵为顺时针方向旋转。

## ROTATION DIRECTION

It is clockwise when it is viewed from motor side.

## 配置

电动机配用特别设计的Y型加长轴立式低速低噪声电机，装夹式联轴器为标准Y型电机，在尺寸上和功率等级上符合IEC和DIN42673标准，运行平稳、安装方便。

## CONFIGURATION

It is matched with "Y" type prolong shaft vertical low noise motor, the standard motor is with clamp coupling. It is conforms to IEC and DIN42673 in size and power degree.

## 电机参数

防护等级：IP44

绝缘等级：E

标准电压：380V

客户如对电机有特殊要求，在订货时提出。

## MOTOR PARAMETERS

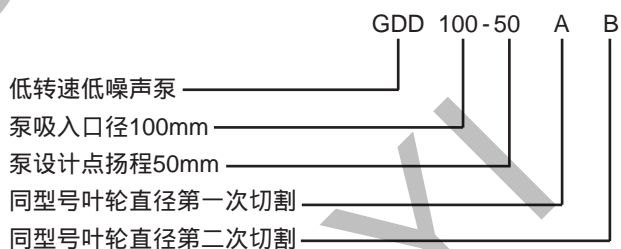
Protection Class: IP44

Insulation Class: F

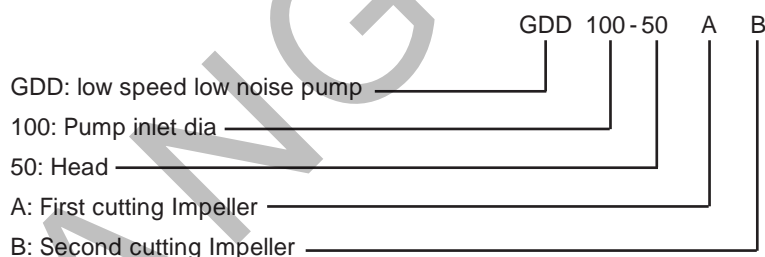
Standard Voltage: 380V

If customers have any special requirements, requirements should be stated in the contract.

## 型号意义说明

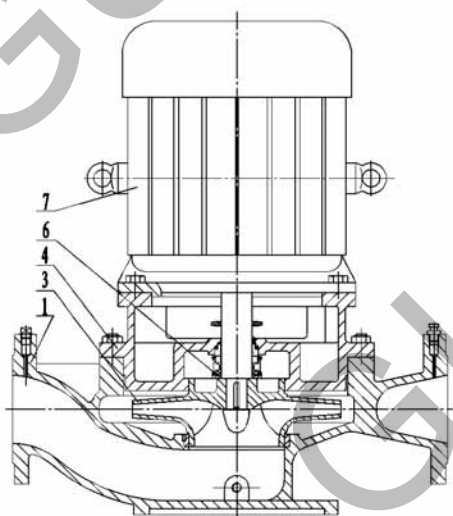


## MODEL DESIGNATION



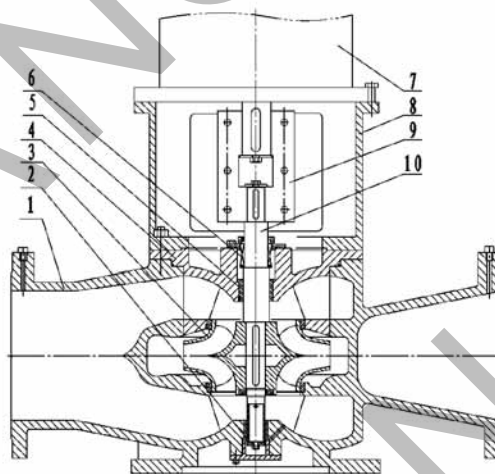
## 主要零件和结构图

### MAIN PARTS AND STRUCTURAL DRAWING:



直联式结构

Direct connection type structure



联轴器式结构

The coupling structure

| 序号 | 零件   | 材料     |
|----|------|--------|
| 1  | 泵体   | 铸铁     |
| 2  | 叶轮   | 铸铁/铸铜  |
| 3  | 下轴承  | 铜合金    |
| 4  | 泵盖   | 铸铁     |
| 5  | 上轴承  | 合金     |
| 6  | 机械密封 | 石墨/碳化硅 |
| 7  | 立式电机 |        |
| 8  | 电机座  | 铸铁     |
| 9  | 联轴器  | 铸铁     |
| 10 | 轴    | 2Cr13  |

| No. | Spare parts     | Material         |
|-----|-----------------|------------------|
| 1   | Pump casing     | Cast iron        |
| 2   | Impeller        | Cast iron/bronze |
| 3   | Lower bearing   | Aldary           |
| 4   | Pump cover      | Cast iron        |
| 5   | Upper bearing   | Alloy            |
| 6   | Mechanical seal | Graphite/SiC     |
| 7   | Motor           |                  |
| 8   | Motor cabinet   | Cast iron        |
| 9   | Coupling        | Cast Iron        |
| 10  | Shaft           | 2Cr13            |

## 性能表

## PERFORMANCE TABLE

| 型号<br>Model | 流量Q<br>Capacity Q  |                      | 扬程<br>Head<br>H<br>(m) | 转速<br>Rotation<br>Speed<br>n<br>(r/min) | 轴功率<br>Brake<br>Power<br>Pa<br>(kW) | 配电机<br>Motor<br>Power<br>(kW) | 泵效率<br>Efficiency<br>(%) | 汽蚀余量<br>(NPSH) <sub>r</sub><br>(m) | 重量<br>Weight<br>(kg) |
|-------------|--------------------|----------------------|------------------------|---|-------------------------------------|-------------------------------|--------------------------|------------------------------------|----------------------|
|             | m <sup>3</sup> /h  | l/s                  |                        |   |                                     |                               |                          |                                    |                      |
| GDD32-5     | 6.3                | 1.74                 | 5                      | 1450                                    | 0.16                                | 0.55                          | 54                       | 2.5                                | 36                   |
| GDD32-8     | 6.3                | 1.74                 | 8                      | 1450                                    | 0.29                                | 0.55                          | 48                       | 2.5                                | 38                   |
| GDD32-12.5  | 3.75<br>6.3<br>7.5 | 1.04<br>1.74<br>2.08 | 13<br>12.5<br>11       | 1450                                    | 0.41<br>0.51<br>0.56                | 0.75                          | 33<br>42<br>44           | 2.0                                | 48                   |
| GDD32-20    | 3.75<br>6.3<br>7.5 | 1.04<br>1.74<br>2.08 | 21<br>20<br>19         | 1450                                    | 0.91<br>1.07<br>1.14                | 1.5                           | 23<br>32<br>35           | 2.0<br>2.0<br>2.5                  | 70                   |
| GDD32-20A   | 3.5<br>5.9<br>7.0  | 0.97<br>1.63<br>1.94 | 18<br>17<br>16         | 1450                                    | 0.78<br>0.93<br>0.98                | 1.1                           | 22<br>30<br>33           | 2.0<br>2.0<br>2.5                  | 66                   |
| GDD40-5     | 12.5               | 3.47                 | 5                      | 1450                                    | 0.27                                | 0.55                          | 62                       | 2.5                                | 38                   |
| GDD40-8     | 12.5               | 3.47                 | 8                      | 1450                                    | 0.49                                | 0.75                          | 60                       | 2.5                                | 47                   |
| GDD40-12.5  | 7.5<br>12.5<br>15  | 2.08<br>3.47<br>4.17 | 13.2<br>12.5<br>11.5   | 1450                                    | 0.63<br>0.77<br>0.85                | 1.1                           | 43<br>55<br>57           | 2.0<br>2.0<br>2.5                  | 56                   |
| GDD40-12.5A | 7<br>11.7<br>14    | 1.94<br>3.25<br>3.89 | 11.5<br>11<br>10       | 1450                                    | 0.52<br>0.64<br>0.67                | 0.75                          | 43<br>55<br>57           | 2.0<br>2.0<br>2.5                  | 51                   |
| GDD40-20    | 7.5<br>12.5<br>15  | 2.08<br>3.47<br>4.17 | 21<br>20<br>19         | 1450                                    | 1.23<br>1.48<br>1.65                | 2.2                           | 35<br>46<br>48           | 2.0<br>2.0<br>2.5                  | 78                   |
| GDD40-20A   | 7<br>11.7<br>14    | 1.94<br>3.25<br>3.89 | 18<br>17.5<br>16.5     | 1450                                    | 1<br>1.24<br>1.37                   | 1.5                           | 35<br>45<br>47           | 2.0<br>2.0<br>2.5                  | 72                   |
| GDD40-30    | 7.2<br>12<br>14    | 2.08<br>3.47<br>3.9  | 32<br>30<br>28         | 1450                                    | 2.3<br>2.5<br>2.6                   | 3                             | 25<br>37<br>41           | 2.0<br>2.0<br>2.5                  | 102                  |
| GDD40-30A   | 6.5<br>11<br>13    | 1.8<br>3.1<br>3.6    | 24.5<br>24<br>22       | 1450                                    | 1.75<br>1.96<br>2.1                 | 2.2                           | 24.7<br>36<br>40         | 2.0<br>2.0<br>2.5                  | 97                   |
| GDD50-8     | 10.8<br>18<br>21.6 | 3<br>5<br>6          | 9.5<br>8<br>7          | 1450                                    | 0.58<br>0.65<br>0.71                | 1.1                           | 48<br>60<br>58           | 2.0<br>2.5<br>3.0                  | 62                   |
| GDD50-8A    | 9.5<br>16<br>18    | 2.6<br>4.4<br>5      | 8<br>7<br>6            | 1450                                    | 0.43<br>0.51<br>0.53                | 0.75                          | 48<br>60<br>56           | 2.0<br>2.5<br>3.0                  | 58                   |
| GDD50-12.5  | 10.8<br>18<br>21.6 | 3<br>5<br>6          | 13.2<br>12.5<br>11     | 1450                                    | 0.83<br>1.11<br>1.21                | 1.5                           | 47<br>55<br>58           | 2.0<br>2.5<br>3.0                  | 69                   |

## 性能表

## PERFORMANCE TABLE

| 型号<br>Model | 流量Q<br>Capacity Q    |                      | 扬程<br>Head<br>H<br>(m) | 转速<br>Rotation<br>Speed<br>n<br>(r/min) | 轴功率<br>Brake<br>Power<br>Pa<br>(kW) | 配电机<br>Motor<br>Power<br>(kW) | 泵效率<br>Efficiency<br>(%) | 汽蚀余量<br>(NPSH)r<br>(m) | 重量<br>Weight<br>(kg) |
|-------------|----------------------|----------------------|------------------------|---|-------------------------------------|-------------------------------|--------------------------|------------------------|----------------------|
|             | m <sup>3</sup> /h    | l/s                  |                        |   |                                     |                               |                          |                        |                      |
| GDD50-12.5A | 9.5<br>16<br>18      | 2.6<br>4.4<br>5      | 11.6<br>10.5<br>10     | 1450                                    | 0.65<br>0.84<br>0.92                | 1.1                           | 53<br>46<br>54           | 2.0<br>2.5<br>3.0      | 64                   |
| GDD50-17    | 10.8<br>18<br>21.6   | 3<br>5<br>6          | 19<br>17<br>14         | 1450                                    | 1.87<br>1.7<br>1.83                 | 2.2                           | 36<br>49<br>45           | 2.0<br>2.5<br>3.0      | 79                   |
| GDD50-20    | 10.8<br>18<br>21.6   | 3<br>5<br>6          | 23<br>21<br>18         | 1450                                    | 1.78<br>2.18<br>2.42                | 3                             | 37<br>50<br>47           | 2.0<br>2.5<br>3.0      | 84                   |
| GDD50-30    | 10.8<br>18<br>21.6   | 3<br>5<br>6          | 33<br>30<br>25         | 1450                                    | 2.31<br>2.82<br>2.94                | 4                             | 42<br>52<br>50           | 2.0<br>2.5<br>2.8      | 115                  |
| GDD50-30A   | 9.5<br>17<br>20.5    | 2.9<br>4.7<br>5.7    | 29<br>26<br>21.5       | 1450                                    | 1.83<br>2.36<br>2.44                | 3                             | 41<br>51<br>49           | 2.0<br>2.5<br>3.0      | 104                  |
| GDD65-8     | 15<br>25<br>30       | 4.17<br>6.94<br>8.33 | 9<br>8<br>7.2          | 1450                                    | 0.67<br>0.79<br>0.86                | 1.5                           | 55<br>69<br>68           | 2.5<br>2.5<br>3.0      | 71                   |
| GDD65-12    | 15<br>25<br>30       | 4.17<br>6.94<br>8.33 | 13.2<br>12.5<br>11.5   | 1450                                    | 1.06<br>1.31<br>1.44                | 2.2                           | 51<br>65<br>67           | 2.5<br>2.5<br>3.0      | 82                   |
| GDD65-12A   | 14<br>23.4<br>28     | 3.89<br>6.5<br>7.78  | 11.5<br>11<br>10       | 1450                                    | 0.89<br>1.1<br>1.2                  | 1.5                           | 50<br>64<br>66           | 2.5<br>2.5<br>3.0      | 76                   |
| GDD65-20    | 15<br>25<br>30       | 4.17<br>6.94<br>8.33 | 21<br>20<br>18.8       | 1450                                    | 1.75<br>2.27<br>2.52                | 3                             | 49<br>60<br>61           | 2.5<br>2.5<br>3.0      | 96                   |
| GDD65-20A   | 14<br>23.4<br>28     | 3.89<br>6.5<br>7.78  | 18.4<br>17.5<br>16.4   | 1450                                    | 1.44<br>1.86<br>2.06                | 2.2                           | 49<br>60<br>69           | 2.5<br>2.5<br>3.0      | 91                   |
| GDD65-32    | 15<br>25<br>30       | 4.17<br>4.94<br>8.33 | 33<br>32<br>31         | 1450                                    | 3.4<br>4.19<br>4.6                  | 5.5                           | 39<br>52<br>56           | 2.5<br>2.5<br>3.0      | 126                  |
| GDD65-32A   | 14.3<br>23.8<br>28.5 | 3.97<br>6.61<br>7.97 | 29.5<br>28.5<br>26     | 1450                                    | 3.06<br>3.72<br>4.09                | 5.5                           | 38<br>51<br>55           | 2.5<br>2.5<br>3.0      | 125                  |
| GDD65-32B   | 13.6<br>22.7<br>27.2 | 3.77<br>6.3<br>7.56  | 27<br>25<br>23         | 1450                                    | 2.54<br>3.13<br>3.45                | 4                             | 38<br>51<br>55           | 2.5<br>2.5<br>3.0      | 103                  |
| GDD80-8     | 50                   | 13.9                 | 8                      | 1450                                    | 1.47                                | 2.2                           | 75                       | 3.0                    | 96                   |
| GDD80-12    | 30<br>50<br>60       | 8.33<br>13.8<br>16.7 | 13.3<br>12.5<br>11.8   | 1450                                    | 1.84<br>2.33<br>2.61                | 4                             | 60<br>73<br>74           | 2.0<br>2.5<br>3.0      | 110                  |
| GDD80-12A   | 28<br>46.8<br>56     | 7.83<br>13<br>15.3   | 11.9<br>11<br>10       | 1450                                    | 1.52<br>1.92<br>2.16                | 3                             | 60<br>73<br>74           | 2.0<br>2.5<br>3.0      | 99                   |

性能表  
PERFORMANCE TABLE

| 型号<br>Model | 流量Q<br>Capacity Q    |                      | 扬程<br>Head<br>H<br>(m) | 转速<br>Rotation<br>Speed<br>n<br>(r/min) | 轴功率<br>Brake<br>Power<br>Pa<br>(kW) | 配电机<br>Motor<br>Power<br>(kW) | 泵效率<br>Efficiency<br>(%) | 汽蚀余量<br>(NPSH)r<br>(m) | 重量<br>Weight<br>(kg) |
|-------------|----------------------|----------------------|------------------------|---|-------------------------------------|-------------------------------|--------------------------|------------------------|----------------------|
|             | m <sup>3</sup> /h    | l/s                  |                        |   |                                     |                               |                          |                        |                      |
| GDD80-20    | 30<br>50<br>60       | 8.33<br>13.8<br>16.7 | 23<br>20<br>15         | 1450                                    | 3.16<br>4<br>4.44                   | 5.5                           | 55<br>68<br>70           | 2.0<br>2.5<br>3.0      | 146                  |
| GDD80-20A   | 32<br>46<br>56       | 7.78<br>13<br>15.6   | 20<br>17<br>15         | 1450                                    | 1.16<br>3.28<br>3.63                | 4                             | 54<br>68<br>70           | 2.0<br>2.5<br>3.0      | 128                  |
| GDD80-20B   | 25.6<br>42.8<br>51.1 | 7.1<br>11.8<br>14.2  | 15.5<br>14.5<br>13.5   | 1450                                    | 2.04<br>2.54<br>2.74                | 3                             | 54<br>67<br>69           | 2.0<br>2.5<br>3.0      | 119                  |
| GDD80-32    | 30<br>50<br>60       | 8.33<br>13.9<br>16.7 | 34<br>32<br>30         | 1450                                    | 5.44<br>6.92<br>7.67                | 11                            | 51<br>63<br>64           | 2.0<br>2.5<br>3.0      | 230                  |
| GDD80-32A   | 28.7<br>47.7<br>57.5 | 7.97<br>13.1<br>16.1 | 31<br>28.5<br>27       | 1450                                    | 4.74<br>6<br>6.7                    | 7.5                           | 51<br>63<br>64           | 2.0<br>2.5<br>3.0      | 175                  |
| GDD80-32B   | 25.7<br>42.9<br>51.6 | 7.14<br>11.9<br>14.3 | 25<br>23.5<br>22       | 1450                                    | 3.5<br>4.5<br>5                     | 5.5                           | 50<br>61<br>62           | 2.0<br>2.5<br>3.0      | 162                  |
| GDD100-12   | 60<br>100<br>120     | 16.7<br>27.8<br>33.3 | 14.5<br>12.5<br>11     | 1450                                    | 3.83<br>4.48<br>4.79                | 5.5                           | 62<br>76<br>75           | 2.5<br>2.5<br>3.0      | 158                  |
| GDD100-12A  | 56<br>93.5<br>112    | 15.6<br>26<br>31.1   | 12.8<br>11<br>9.7      | 1450                                    | 3.17<br>3.7<br>3.96                 | 4                             | 62<br>76<br>75           | 2.5<br>2.5<br>3.0      | 141                  |
| GDD100-12B  | 52<br>88<br>105      | 14.4<br>24.4<br>29.1 | 11<br>9.5<br>8.3       | 1450                                    | 2.68<br>3.15<br>3.35                | 4                             | 58.7<br>72<br>71         | 2.5<br>2.5<br>3.0      | 140                  |
| GDD100-15   | 81.2<br>125<br>134   | 22.6<br>34.7<br>37.2 | 17.5<br>15.5<br>14.8   | 1450                                    | 5.65<br>6.44<br>6.66                | 7.5                           | 68.4<br>82<br>81         | 3.0                    | 175                  |
| GDD100-19   | 60<br>90<br>120      | 16.7<br>27.8<br>33.3 | 21<br>19<br>15         | 1450                                    | 5.44<br>6.12<br>6.36                | 7.5                           | 63<br>76<br>77           | 2.5<br>2.5<br>3.0      | 178                  |
| GDD100-19A  | 50<br>80<br>110      | 13.9<br>22.2<br>30.6 | 17<br>15<br>11.5       | 1450                                    | 3.73<br>4.35<br>4.53                | 5.5                           | 62<br>75<br>76           | 2.5<br>2.5<br>3.0      | 165                  |
| GDD100-21   | 39<br>60<br>75       | 10.8<br>16.7<br>20.8 | 24<br>21<br>16         | 1450                                    | 3.98<br>4.7<br>4.74                 | 5.5                           | 64<br>73<br>69           | 2.5<br>3.0<br>3.5      | 164                  |
| GDD100-23   | 60<br>122<br>144     | 16.6<br>33.9<br>40   | 25<br>23<br>20         | 1480                                    | 7.16<br>10.9<br>13.1                | 15                            | 57<br>67<br>60           | 2.5<br>3.0<br>3.5      | 237                  |
| GDD100-34   | 60<br>100<br>120     | 16.6<br>27.8<br>33.3 | 36<br>34<br>31         | 1480                                    | 8.44<br>11.9<br>13.5                | 18.5                          | 70<br>78<br>75           | 3.0                    | 276                  |
| GDD100-32   | 60<br>90<br>120      | 16.7<br>25<br>33.3   | 34<br>32<br>29         | 1480                                    | 9.58<br>10.7<br>12.88               | 15                            | 70<br>78<br>75           | 2.5<br>2.5<br>3.0      | 283                  |

性能表  
PERFORMANCE TABLE

| 型号<br>Model | 流量Q<br>Capacity Q  |                      | 扬程<br>Head<br>H<br>(m) | 转速<br>Rotation<br>Speed<br>n<br>(r/min) | 轴功率<br>Brake<br>Power<br>Pa<br>(kW) | 配电机<br>Motor<br>Power<br>(kW) | 泵效率<br>Efficiency<br>(%) | 汽蚀余量<br>(NPSH)r<br>(m) | 重量<br>Weight<br>(kg) |
|-------------|--------------------|----------------------|------------------------|---|-------------------------------------|-------------------------------|--------------------------|------------------------|----------------------|
|             | m <sup>3</sup> /h  | l/s                  |                        |   |                                     |                               |                          |                        |                      |
| GDD100-32A  | 60<br>90<br>115    | 16.7<br>25<br>33.3   | 31<br>28<br>25.5       | 1480                                    | 7.34<br>9.03<br>10.5                | 11                            | 69<br>76<br>74           | 2.5<br>2.5<br>3.0      | 270                  |
| GDD100-32B  | 48<br>76<br>100    | 13.9<br>22.2<br>30.6 | 27<br>24<br>20         | 1480                                    | 5.19<br>6.62<br>7.46                | 7.5                           | 68<br>75<br>73           | 2.5<br>2.5<br>3.0      | 225                  |
| GDD100-50   | 60<br>100<br>120   | 16.7<br>27.8<br>33.3 | 52<br>50<br>47         | 1480                                    | 16.1<br>21<br>23.6                  | 30                            | 53<br>65<br>67           | 2.5<br>2.5<br>3.0      | 441                  |
| GDD100-50A  | 56<br>93.6<br>112  | 15.6<br>26<br>31.2   | 46<br>44<br>41         | 1480                                    | 13.2<br>17.5<br>19.6                | 22                            | 53<br>64<br>67           | 2.5<br>2.5<br>3.0      | 384                  |
| GDD100-50B  | 54.6<br>90<br>108  | 15.2<br>25.2<br>30   | 40<br>38<br>35         | 1480                                    | 11.2<br>14.6<br>16.4                | 18.5                          | 51<br>63<br>65           | 2.5<br>2.5<br>3.0      | 366                  |
| GDD100-50C  | 53<br>75.5<br>90.5 | 14.7<br>20.9<br>25.1 | 36<br>34<br>31.5       | 1480                                    | 9.19<br>10.9<br>11.8                | 15                            | 56.5<br>64<br>65.5       | 3.0                    | 326                  |
| GDD125-22   | 95<br>148<br>180   | 26.4<br>41.1<br>50   | 24.5<br>22<br>20       | 1480                                    | 9.18<br>11.3<br>12.9                | 15                            | 69<br>78<br>76           | 3.5                    | 278                  |
| GDD125-20   | 110<br>160<br>200  | 31.1<br>44.4<br>55.6 | 23<br>20<br>17         | 1480                                    | 9.4<br>11.31<br>12.3                | 15                            | 71<br>77<br>75           | 2.5<br>3.0<br>3.5      | 277                  |
| GDD125-20A  | 104<br>150<br>190  | 28.8<br>41.6<br>52.7 | 20<br>17<br>15         | 1480                                    | 8.1<br>9.1<br>10.4                  | 11                            | 70<br>77<br>75           | 2.5<br>3.0<br>3.5      | 264                  |
| GDD125-34   | 90<br>148<br>172.8 | 25<br>41.1<br>48     | 36.5<br>34<br>30       | 1480                                    | 13.8<br>18.3<br>19.6                | 22                            | 65<br>75<br>72           | 3.5                    | 358                  |
| GDD125-32   | 110<br>160<br>200  | 30.6<br>44.4<br>55.6 | 36<br>32<br>28         | 1480                                    | 15<br>18.3<br>20.5                  | 22                            | 72<br>76<br>74.5         | 2.5<br>3.0<br>3.5      | 356                  |
| GDD125-32A  | 100<br>150<br>190  | 27.8<br>41.6<br>52.7 | 32<br>28<br>23         | 1480                                    | 12.3<br>15.3<br>16.1                | 18.5                          | 71<br>75<br>74           | 2.5<br>3.0<br>3.5      | 340                  |
| GDD125-32B  | 90<br>140.4<br>180 | 25<br>39<br>50       | 29<br>25<br>20         | 1480                                    | 10.3<br>13.01<br>13.8               | 15                            | 69<br>73<br>71           | 2.5<br>3.0<br>3.5      | 303                  |
| GDD125-50   | 110<br>160<br>200  | 30.6<br>44.4<br>55.6 | 55<br>50<br>45         | 1480                                    | 23.2<br>29<br>34.0                  | 37                            | 71<br>75<br>74           | 2.5<br>3.0<br>3.5      | 572                  |
| GDD125-50A  | 100<br>150<br>190  | 27.8<br>41.6<br>52.7 | 49<br>45<br>40         | 1480                                    | 19.1<br>24.7<br>28.7                | 30                            | 70<br>74<br>72           | 2.5<br>3.0<br>3.5      | 530                  |
| GDD125-50B  | 90<br>140<br>168   | 26.4<br>40.2<br>51.4 | 43<br>37<br>33         | 1480                                    | 15.1<br>19.6<br>21                  | 22                            | 70<br>74<br>72           | 2.5<br>3.0<br>3.5      | 470                  |



性能表  
PERFORMANCE TABLE

| 型号<br>Model | 流量Q<br>Capacity Q   |                      | 扬程<br>Head<br>H<br>(m) | 转速<br>Rotation<br>Speed<br>n<br>(r/min) | 轴功率<br>Brake<br>Power<br>Pa<br>(kW) | 配电机<br>Motor<br>Power<br>(kW) | 泵效率<br>Efficiency<br>(%) | 汽蚀余量<br>(NPSH)r<br>(m) | 重量<br>Weight<br>(kg) |
|-------------|---------------------|----------------------|------------------------|---|-------------------------------------|-------------------------------|--------------------------|------------------------|----------------------|
|             | m <sup>3</sup> /h   | l/s                  |                        |   |                                     |                               |                          |                        |                      |
| GDD150-22   | 144<br>225<br>288   | 40<br>62.5<br>80     | 23.5<br>22<br>18.5     | 1480                                    | 13.2<br>16.6<br>18.6                | 22                            | 70<br>81<br>78           | 3.2                    | 398                  |
| GDD150-20   | 120<br>200<br>240   | 33.3<br>55.6<br>66.7 | 22.5<br>20<br>17.5     | 1480                                    | 10.8<br>14<br>14.8                  | 18.5                          | 70<br>79<br>78           | 2.5<br>3.0<br>3.5      | 339                  |
| GDD150-20A  | 112<br>187<br>224   | 31.1<br>51.9<br>62.2 | 19.5<br>17<br>15       | 1480                                    | 8.7<br>11.3<br>12.3                 | 15                            | 70<br>80<br>78           | 2.5<br>3.0<br>3.5      | 329                  |
| GDD150-20B  | 108<br>180<br>216   | 30<br>50<br>60       | 18<br>15<br>13         | 1480                                    | 7.8<br>9.45<br>10.1                 | 11                            | 68<br>77.8<br>75.3       | 2.5<br>3.0<br>3.5      | 316                  |
| GDD150-32G  | 144<br>240<br>288   | 40<br>66.6<br>80     | 34<br>32<br>28         | 1480                                    | 19.1<br>26.5<br>27.5                | 30                            | 70<br>79<br>80           | 3.2                    | 442                  |
| GDD150-32   | 129<br>216<br>259.2 | 35.8<br>60<br>72     | 34<br>32<br>29         | 1480                                    | 17.1<br>23.8<br>25.5                | 30                            | 70<br>79<br>80           | 2.5<br>3.0<br>3.5      | 441                  |
| GDD150-32A  | 112<br>187<br>224   | 31.1<br>51.9<br>62.4 | 30<br>28<br>25         | 1480                                    | 13.1<br>18.1<br>19.1                | 22                            | 70<br>79<br>80           | 2.5<br>3.0<br>3.5      | 385                  |
| GDD150-32B  | 104<br>173<br>208   | 28.9<br>48.1<br>57.8 | 25.5<br>24<br>21.8     | 1480                                    | 10.5<br>14.5<br>15.6                | 18.5                          | 60<br>78<br>79           | 2.5<br>3.0<br>3.5      | 367                  |
| GDD150-49   | 144<br>245<br>300   | 40<br>68.1<br>83.3   | 55<br>49<br>44         | 1480                                    | 32.7<br>43<br>49.9                  | 55                            | 66<br>76<br>72           | 3.2                    | 732                  |
| GDD150-49A  | 144<br>245<br>300   | 40<br>68.1<br>83.3   | 52<br>45<br>38         | 1480                                    | 31.4<br>40<br>43.7                  | 45                            | 65<br>75<br>71           | 3.2                    | 648                  |
| GDD150-50   | 120<br>200<br>240   | 33.3<br>55.6<br>66.7 | 53<br>50<br>46         | 1480                                    | 27.9<br>36.3<br>40.6                | 45                            | 62<br>75<br>71           | 2.0<br>2.8<br>3.5      | 645                  |
| GDD150-50A  | 112<br>187<br>225   | 31.1<br>51.9<br>62.5 | 47<br>44<br>40         | 1480                                    | 23.2<br>30<br>33.1                  | 37                            | 62<br>75<br>74           | 2.0<br>2.8<br>3.5      | 613                  |
| GDD150-50B  | 104.6<br>173<br>209 | 29.1<br>48.1<br>58.1 | 40<br>38<br>35         | 1480                                    | 18.7<br>24.4<br>27.4                | 30                            | 61<br>74<br>73           | 2.0<br>2.8<br>3.5      | 568                  |
| GDD200-24   | 200<br>300<br>360   | 55.6<br>83.3<br>100  | 26<br>24<br>21         | 1480                                    | 17.92<br>24.2<br>25.7               | 30                            | 78<br>81<br>80           | 2.5<br>3.5<br>4.0      | 492                  |
| GDD200-24A  | 198<br>280<br>340   | 55.1<br>77.8<br>94.4 | 20<br>18<br>15         | 1480                                    | 14.2<br>17.1<br>16.9                | 22                            | 76<br>80<br>82           | 2.5<br>3.5<br>4.0      | 432                  |
| GDD200-24B  | 168<br>250<br>300   | 46.7<br>69.4<br>83.3 | 17<br>15<br>13         | 1480                                    | 10.4<br>12.9<br>13.3                | 18.5                          | 75<br>79<br>80           | 2.5<br>3.5<br>4.0      | 414                  |

性能表  
PERFORMANCE TABLE

| 型号<br>Model              | 流量Q<br>Capacity Q |       | 扬程<br>Head<br>H<br>(m) | 转速<br>Rotation<br>Speed<br>n<br>(r/min) | 轴功率<br>Brake<br>Power<br>Pa<br>(kW) | 配电机<br>Motor<br>Power<br>(kW) | 泵效率<br>Efficiency<br>(%) | 汽蚀余量<br>(NPSH)r<br>(m) | 重量<br>Weight<br>(kg) |
|--------------------------|-------------------|-------|------------------------|---|-------------------------------------|-------------------------------|--------------------------|------------------------|----------------------|
|                          | m <sup>3</sup> /h | l/s   |                        |   |                                     |                               |                          |                        |                      |
| GDD200-32                | 200               | 55.6  | 33                     | 1480                                    | 27.56                               | 37                            | 76.7                     | 2.5                    | 625                  |
|                          | 300               | 83.3  | 32                     |   | 30.12                               |                               | 81.4                     | 3.5                    |                      |
|                          | 360               | 100   | 30                     |   | 33.37                               |                               | 78.9                     | 4.0                    |                      |
| GDD200-32A               | 198               | 55.1  | 29                     | 1480                                    | 20.57                               | 30                            | 76                       | 2.5                    | 582                  |
|                          | 280               | 77.8  | 28                     |   | 26.52                               |                               | 80.4                     | 3.5                    |                      |
|                          | 340               | 94.4  | 24                     |   | 28.49                               |                               | 78                       | 4.0                    |                      |
| GDD200-32B               | 200               | 55.6  | 26                     | 1480                                    | 17.92                               | 30                            | 78                       | 4.0                    | 581                  |
|                          | 300               | 83.3  | 24                     |   | 24.2                                |                               | 81                       |                        |                      |
|                          | 360               | 100   | 21                     |   | 25.7                                |                               | 80                       |                        |                      |
| GDD200-48                | 200               | 55.6  | 51                     | 1480                                    | 35.6                                | 55                            | 78                       | 2.5                    | 818                  |
|                          | 300               | 83.3  | 48                     |   | 47.8                                |                               | 82                       | 3.5                    |                      |
|                          | 360               | 100   | 43                     |   | 52.7                                |                               | 80                       | 4.0                    |                      |
| GDD200-48A               | 198               | 55.1  | 45                     | 1480                                    | 31.51                               | 45                            | 77                       | 2.5                    | 771                  |
|                          | 280               | 77.8  | 42                     |   | 39.53                               |                               | 81                       | 3.5                    |                      |
|                          | 340               | 94.4  | 37                     |   | 43.36                               |                               | 79                       | 4.0                    |                      |
| GDD200-48B               | 168               | 46.7  | 40                     | 1480                                    | 24.07                               | 37                            | 76                       | 2.5                    | 736                  |
|                          | 250               | 69.4  | 37                     |   | 31.48                               |                               | 80                       | 3.5                    |                      |
|                          | 300               | 83.3  | 32                     |   | 33.51                               |                               | 78                       | 4.0                    |                      |
| GDD250-20                | 240               | 66.7  | 22.6                   | 1480                                    | 21.1                                | 30                            | 70                       | 3.6                    | 542                  |
|                          | 400               | 111   | 20                     |   | 26.7                                |                               | 83                       | 4.6                    |                      |
|                          | 460               | 130   | 17                     |   | 27.3                                |                               | 79                       | 5.0                    |                      |
| GDD250-20A               | 225               | 62.5  | 18.5                   | 1480                                    | 15.96                               | 22                            | 71                       | 3.0                    | 486                  |
|                          | 374.4             | 104   | 16                     |   | 19.63                               |                               | 82                       | 3.5                    |                      |
|                          | 431               | 120   | 14                     |   | 21.01                               |                               | 78                       | 4.0                    |                      |
| GDD250-24                | 445               | 123.6 | 27.5                   | 1480                                    | 40.9                                | 55                            | 80                       | 4.2                    | 706                  |
|                          | 630               | 175   | 24                     |   | 49                                  |                               | 84                       |                        |                      |
|                          | 758               | 210.6 | 19                     |   | 50.3                                |                               | 78                       |                        |                      |
| GDD250-24A               | 420               | 116.7 | 22                     | 1480                                    | 31.8                                | 45                            | 79                       | 4.2                    | 972                  |
|                          | 600               | 166.7 | 20                     |   | 39.8                                |                               | 82                       |                        |                      |
|                          | 725               | 201.4 | 17                     |   | 43.6                                |                               | 77                       |                        |                      |
| GDD250-26                | 240               | 66.6  | 34                     | 1480                                    | 31.3                                | 45                            | 71                       | 4.2                    | 788                  |
|                          | 400               | 111.1 | 30                     |   | 40.8                                |                               | 80                       |                        |                      |
|                          | 480               | 133.3 | 25                     |   | 44.7                                |                               | 73                       |                        |                      |
| GDD250-32<br>(G250-32)   | 240               | 66.7  | 37                     | 1480                                    | 34.6                                | 55                            | 70                       | 3.0                    | 945                  |
|                          | 400               | 111   | 32                     |   | 42.5                                |                               | 82                       | 3.5                    |                      |
|                          | 480               | 133.3 | 28.5                   |   | 44.6                                |                               | 80                       | 4.0                    |                      |
| GDD250-32A<br>(G250-32A) | 226               | 62.8  | 33                     | 1480                                    | 29                                  | 45                            | 70                       | 3.0                    | 898                  |
|                          | 374               | 104   | 28                     |   | 35                                  |                               | 82                       | 3.5                    |                      |
|                          | 432               | 120   | 25                     |   | 41.6                                |                               | 80                       | 4.0                    |                      |
| GDD250-32B<br>(G250-32B) | 210               | 58.3  | 27.5                   | 1480                                    | 23.3                                | 37                            | 67.4                     | 3.0                    | 863                  |
|                          | 350               | 97.2  | 24                     |   | 28.6                                |                               | 79                       | 3.5                    |                      |
|                          | 403               | 112   | 21.2                   |   | 30                                  |                               | 77.5                     | 4.0                    |                      |
| GDD250-38                | 445               | 123.6 | 42                     | 1480                                    | 66.97                               | 90                            | 76                       | 5.0                    | 1228                 |
|                          | 630               | 175   | 38                     |   | 75.55                               |                               | 83                       | 6.2                    |                      |
|                          | 758               | 210.5 | 32                     |   | 83.62                               |                               | 79                       | 6.5                    |                      |
| GDD250-38A               | 360               | 100   | 39                     | 1480                                    | 53.9                                | 75                            | 71                       | 5.0                    | 1218                 |
|                          | 600               | 166.6 | 32                     |   | 64.12                               |                               | 80                       | 6.2                    |                      |
|                          | 720               | 200   | 26                     |   | 67.1                                |                               | 76                       | 6.5                    |                      |

## 性能表

## PERFORMANCE TABLE

| 型号<br>Model | 流量Q<br>Capacity Q |       | 扬程<br>Head<br>H<br>(m) | 转速<br>Rotation<br>Speed<br>n<br>(r/min) | 轴功率<br>Brake<br>Power<br>Pa<br>(kW) | 配电机<br>Motor<br>Power<br>(kW) | 泵效率<br>Efficiency<br>(%) | 汽蚀余量<br>(NPSH)r<br>(m) | 重量<br>Weight<br>(kg) |
|-------------|-------------------|-------|------------------------|---|-------------------------------------|-------------------------------|--------------------------|------------------------|----------------------|
|             | m <sup>3</sup> /h | l/s   |                        |   |                                     |                               |                          |                        |                      |
| GDD250-40A  | 258               | 71.67 | 36                     | 1480                                    | 38.3                                | 55                            | 66                       | 5.0                    | 1058                 |
|             | 430               | 119.4 | 32                     |   | 46.8                                |                               | 80                       | 6.2                    |                      |
|             | 516               | 143.3 | 26.5                   |   | 51.7                                |                               | 72                       | 6.5                    |                      |
| GDD250-50   | 240               | 66.7  | 55                     | 1480                                    | 48.6                                | 90                            | 74                       | 3.0                    | 1138                 |
|             | 400               | 111   | 50                     |   | 67.2                                |                               | 81                       | 3.8                    |                      |
|             | 460               | 128   | 45                     |   | 74.2                                |                               | 76                       | 4.5                    |                      |
| GDD250-50A  | 228               | 63.3  | 49                     | 1480                                    | 41.8                                | 75                            | 72.7                     | 3.0                    | 1123                 |
|             | 380               | 105.5 | 44.5                   |   | 57.9                                |                               | 79.5                     | 3.8                    |                      |
|             | 437               | 121.4 | 40                     |   | 63.8                                |                               | 75.5                     | 4.5                    |                      |
| GDD250-50B  | 210               | 58.3  | 42                     | 1480                                    | 32.8                                | 55                            | 73                       | 3.0                    | 1098                 |
|             | 340               | 96.1  | 38                     |   | 45.1                                |                               | 80                       | 3.8                    |                      |
|             | 401               | 111.4 | 34                     |   | 48.9                                |                               | 76                       | 4.5                    |                      |
| GDD300-15   | 360               | 100   | 18.5                   | 1480                                    | 22.39                               | 30                            | 81                       | 6.2                    | 712                  |
|             | 500               | 138.9 | 15                     |   | 24.03                               |                               | 85                       |                        |                      |
|             | 612               | 170   | 12                     |   | 25.64                               |                               | 78                       |                        |                      |
| GDD300-15A  | 324               | 90    | 16.5                   | 1480                                    | 18.66                               | 22                            | 78                       | 6.2                    | 655                  |
|             | 468               | 130   | 12.5                   |   | 19.43                               |                               | 82                       |                        |                      |
|             | 576               | 160   | 10                     |   | 20.64                               |                               | 76                       |                        |                      |
| GDD300-22   | 518               | 143.9 | 25                     | 1480                                    | 47.7                                | 75                            | 74                       | 6.2                    | 1257                 |
|             | 792               | 220   | 22                     |   | 57.9                                |                               | 82                       |                        |                      |
|             | 940               | 261   | 18.5                   |   | 62.3                                |                               | 76                       |                        |                      |
| GDD300-17   | 450               | 150   | 20                     | 1480                                    | 36.04                               | 55                            | 68                       | 6.2                    | 1132                 |
|             | 750               | 208.3 | 17                     |   | 43.4                                |                               | 80                       |                        |                      |
|             | 900               | 250   | 14                     |   | 44.6                                |                               | 77                       |                        |                      |
| GDD300-17A  | 375               | 104.2 | 20                     | 1480                                    | 32.4                                | 45                            | 63                       | 6.2                    | 1045                 |
|             | 625               | 173.6 | 17                     |   | 37.1                                |                               | 78                       |                        |                      |
|             | 750               | 208.3 | 15                     |   | 40.3                                |                               | 76                       |                        |                      |
| GDD300-24   | 360               | 100   | 27                     | 1480                                    | 33.1                                | 45                            | 80                       | 6.2                    | 905                  |
|             | 500               | 138.9 | 24                     |   | 38.4                                |                               | 85                       |                        |                      |
|             | 612               | 170   | 17                     |   | 38.6                                |                               | 82                       |                        |                      |
| GDD300-24A  | 300               | 83.3  | 22                     | 1480                                    | 22.5                                | 37                            | 80                       | 6.2                    | 884                  |
|             | 500               | 138.9 | 20                     |   | 32.8                                |                               | 83                       |                        |                      |
|             | 600               | 166.7 | 17                     |   | 34.7                                |                               | 80                       |                        |                      |
| GDD300-25   | 612               | 170   | 27                     | 1480                                    | 56.3                                | 75                            | 80                       | 4.0                    | 1250                 |
|             | 800               | 222.2 | 25                     |   | 64.1                                |                               | 85                       |                        |                      |
|             | 915               | 254.2 | 20                     |   | 66.5                                |                               | 75                       |                        |                      |
| GDD300-25A  | 560               | 155.6 | 23                     | 1480                                    | 45                                  | 55                            | 78                       | 4.0                    | 1225                 |
|             | 750               | 208.3 | 20                     |   | 49.2                                |                               | 83                       |                        |                      |
|             | 850               | 236.1 | 17                     |   | 51.8                                |                               | 76                       |                        |                      |
| GDD300-25G  | 700               | 194.4 | 27                     | 1480                                    | 64.4                                | 90                            | 80                       | 5.2                    | 1265                 |
|             | 900               | 250   | 25                     |   | 72                                  |                               | 85                       |                        |                      |
|             | 1100              | 305.6 | 20                     |   | 77                                  |                               | 78                       |                        |                      |
| GDD300-25GA | 700               | 194.4 | 22                     | 1480                                    | 57.5                                | 75                            | 73                       | 5.2                    | 1250                 |
|             | 900               | 250   | 20                     |   | 59.1                                |                               | 83                       |                        |                      |
|             | 1100              | 305.6 | 17                     |   | 67                                  |                               | 78                       |                        |                      |
| GDD300-32   | 450               | 125   | 35                     | 1480                                    | 61.3                                | 90                            | 67                       | 6.2                    | 1316                 |
|             | 750               | 208.3 | 32                     |   | 81.7                                |                               | 80                       |                        |                      |
|             | 900               | 250   | 28                     |   | 88                                  |                               | 78                       |                        |                      |

性能表  
PERFORMANCE TABLE

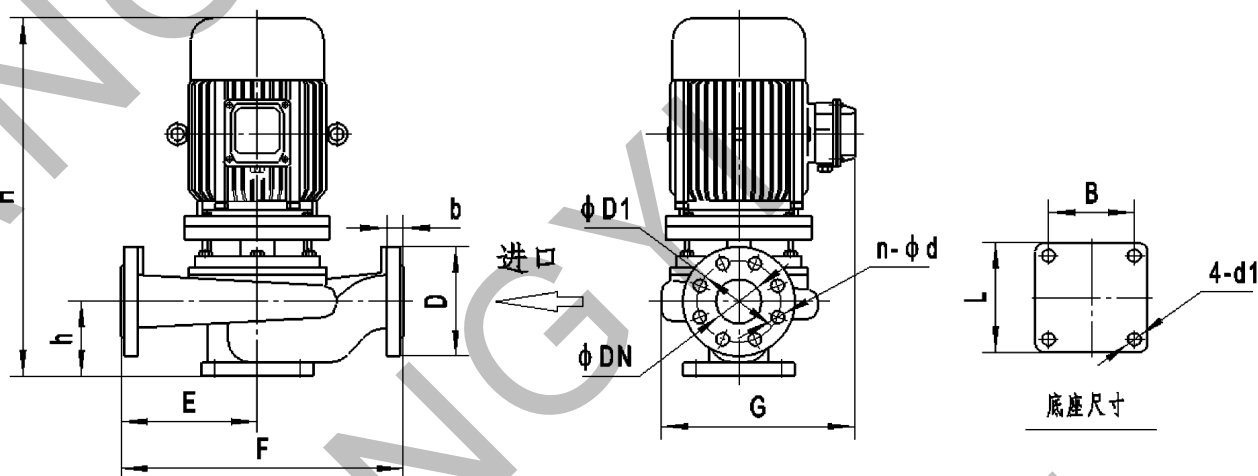
| 型号<br>Model | 流量Q<br>Capacity Q   |                         | 扬程<br>Head<br>H<br>(m) | 转速<br>Rotation<br>Speed<br>n<br>(r/min) | 轴功率<br>Brake<br>Power<br>Pa<br>(kW) | 配电机<br>Motor<br>Power<br>(kW) | 泵效率<br>Efficiency<br>(%) | 汽蚀余量<br>(NPSH)r<br>(m) | 重量<br>Weight<br>(kg) |
|-------------|---------------------|-------------------------|------------------------|---|-------------------------------------|-------------------------------|--------------------------|------------------------|----------------------|
|             | m <sup>3</sup> /h   | l/s                     |                        |   |                                     |                               |                          |                        |                      |
| GDD300-32A  | 551<br>720<br>850   | 153.1<br>200<br>236.1   | 31<br>26<br>23         | 1480                                    | 58.15<br>60.69<br>67.39             | 75                            | 80<br>84<br>79           | 5.2                    | 1301                 |
| GDD300-38F  | 612<br>800<br>915   | 170<br>222.2<br>254.2   | 42.5<br>38<br>32.5     | 1480                                    | 76.5<br>97.4<br>98.8                | 110                           | 81<br>85<br>82           | 5.2                    | 1610                 |
| GDD300-38FA | 540<br>765<br>850   | 150<br>212.5<br>236.1   | 36<br>32<br>28         | 1480                                    | 66.2<br>79.4<br>83.1                | 90                            | 80<br>84<br>78           | 5.2                    | 1326                 |
| GDD300-38G  | 700<br>900<br>1100  | 194.4<br>250<br>305.6   | 42<br>38<br>33         | 1480                                    | 97.6<br>112<br>118                  | 132                           | 82<br>83<br>84           | 4.5                    | 1764                 |
| GDD300-38GA | 700<br>900<br>1100  | 194.4<br>250<br>305.6   | 37<br>32<br>26         | 1480                                    | 89.3<br>94.5<br>97.4                | 110                           | 79<br>83<br>80           | 4.5                    | 1715                 |
| GDD300-40   | 360<br>500<br>612   | 100<br>138.9<br>170     | 43.5<br>40<br>33.5     | 1480                                    | 56.11<br>65.62<br>70.67             | 75                            | 76<br>83<br>79           | 6.2                    | 1174                 |
| GDD300-40A  | 324<br>468<br>576   | 90<br>130<br>160        | 36.5<br>31.5<br>26     | 1480                                    | 41.82<br>49.56<br>51                | 55                            | 77<br>81<br>80           | 6.2                    | 1053                 |
| GDD300-50   | 445<br>630<br>758   | 123.6<br>175<br>210.5   | 53<br>50<br>46         | 1480                                    | 80.28<br>100.9<br>126.6             | 132                           | 80<br>85<br>75           | 6.2                    | 1856                 |
| GDD300-50A  | 420<br>600<br>725   | 116.6<br>166.6<br>201.3 | 45<br>42<br>38         | 1480                                    | 72.49<br>83.69<br>102.8             | 110                           | 71<br>82<br>73           | 6.2                    | 1807                 |
| GDD300-65   | 360<br>500<br>612   | 100<br>138.9<br>170     | 71<br>65<br>56         | 1480                                    | 92.8<br>108.7<br>129.6              | 132                           | 75<br>79<br>72           | 6.2                    | 1888                 |
| GDD300-65A  | 324<br>468<br>576   | 90<br>130<br>160        | 61<br>54<br>50         | 1480                                    | 76.8<br>89.4<br>98                  | 110                           | 74<br>77<br>75           | 6.2                    | 1838                 |
| GDD350-17   | 750<br>1250<br>1500 | 208.3<br>347.2<br>416.7 | 21<br>17<br>12         | 1480                                    | 71.5<br>82.7<br>84.5                | 90                            | 60<br>70<br>58           | 6.2                    | 1410                 |
| GDD350-17A  | 600<br>1000<br>1200 | 166.7<br>277.8<br>333.3 | 21<br>17<br>14         | 1480                                    | 64.8<br>68.1<br>70.4                | 75                            | 53<br>68<br>65           | 6.2                    | 1395                 |
| GDD350-20   | 612<br>800<br>935   | 170<br>222.2<br>259.7   | 23<br>20<br>16         | 1480                                    | 47.9<br>50.1<br>51.57               | 55                            | 80<br>87<br>79           | 4.8                    | 1158                 |
| GDD350-20A  | 504<br>720<br>829   | 140<br>200<br>230.2     | 20<br>17<br>14         | 1480                                    | 37.6<br>40.6<br>41                  | 45                            | 73<br>82<br>77           | 4.8                    | 1113                 |
| GDD350-26   | 972<br>1260<br>1440 | 270<br>351<br>400       | 32<br>26<br>22         | 1480                                    | 99.7<br>101.5<br>105                | 110                           | 85<br>87<br>83           | 4.8                    | 1810                 |

## 性能表

## PERFORMANCE TABLE

| 型号<br>Model  | 流量Q<br>Capacity Q |       | 扬程<br>Head<br>H<br>(m) | 转速<br>Rotation<br>Speed<br>n<br>(r/min) | 轴功率<br>Brake<br>Power<br>Pa<br>(kW) | 配电机<br>Motor<br>Power<br>(kW) | 泵效率<br>Efficiency<br>(%) | 汽蚀余量<br>(NPSH)r<br>(m) | 重量<br>Weight<br>(kg) |
|--------------|-------------------|-------|------------------------|---|-------------------------------------|-------------------------------|--------------------------|------------------------|----------------------|
|              | m <sup>3</sup> /h | l/s   |                        |   |                                     |                               |                          |                        |                      |
| GDD350-26A   | 864               | 240   | 26                     | 1480                                    | 76.5                                | 90                            | 80                       | 4.8                    | 1685                 |
|              | 1116              | 310   | 21.5                   |   | 78.8                                |                               | 83                       |                        |                      |
|              | 1296              | 360   | 16                     |   | 80                                  |                               | 75                       |                        |                      |
| GDD350-32    | 900               | 250   | 35                     | 1480                                    | 115.9                               | 160                           | 74                       | 6.2                    | 1930                 |
|              | 1200              | 333.3 | 32                     |   | 134                                 |                               | 78                       |                        |                      |
|              | 1400              | 400   | 26                     |   | 135.9                               |                               | 75                       |                        |                      |
| GDD350-32A   | 819               | 227.5 | 31                     | 1480                                    | 96                                  | 132                           | 72                       | 6.2                    | 1856                 |
|              | 1092              | 303.3 | 28                     |   | 109.5                               |                               | 76                       |                        |                      |
|              | 1310              | 364   | 23                     |   | 112.4                               |                               | 73                       |                        |                      |
| GDD350-32B   | 745               | 207   | 27                     | 1480                                    | 78.3                                | 110                           | 70                       | 6.2                    | 1765                 |
|              | 1000              | 277.8 | 25                     |   | 92                                  |                               | 74                       |                        |                      |
|              | 1200              | 333.3 | 20                     |   | 92.1                                |                               | 71                       |                        |                      |
| GDD350-44    | 972               | 270   | 50                     | 1480                                    | 164                                 | 200                           | 81                       | 4.5                    | 2566                 |
|              | 1260              | 350   | 44                     |   | 177.4                               |                               | 87                       |                        |                      |
|              | 1476              | 410   | 37                     |   | 189                                 |                               | 79                       |                        |                      |
| GDD350-44A   | 864               | 240   | 41                     | 1480                                    | 121                                 | 160                           | 80                       | 4.5                    | 2465                 |
|              | 1200              | 333   | 36                     |   | 131                                 |                               | 84                       |                        |                      |
|              | 1332              | 370   | 30                     |   | 136                                 |                               | 80                       |                        |                      |
| GDD350-44B   | 900               | 250   | 35                     | 1480                                    | 110                                 | 132                           | 78                       | 4.5                    | 2385                 |
|              | 1200              | 333   | 30                     |   | 118.5                               |                               | 82                       |                        |                      |
|              | 1300              | 361   | 28                     |   | 125.5                               |                               | 76                       |                        |                      |
| GDD400-12.5  | 1200              | 333.3 | 14                     | 980                                     | 58                                  | 75                            | 78                       | 6.5                    | 1626                 |
|              | 1600              | 444.4 | 12.5                   |   | 64.8                                |                               | 84                       |                        |                      |
|              | 1900              | 527.8 | 10.5                   |   | 67                                  |                               | 81                       |                        |                      |
| GDD400-12.5A | 1092              | 303.3 | 12                     | 980                                     | 45.7                                | 55                            | 78                       | 6.5                    | 1429                 |
|              | 1456              | 404.4 | 10.5                   |   | 50.1                                |                               | 83                       |                        |                      |
|              | 1720              | 480.5 | 9                      |   | 52.3                                |                               | 80                       |                        |                      |
| GDD400-20    | 1200              | 333.3 | 23                     | 1480                                    | 92.8                                | 110                           | 81                       | 6.5                    | 1886                 |
|              | 1600              | 444.4 | 20                     |   | 102.5                               |                               | 85                       |                        |                      |
|              | 1900              | 527.8 | 15                     |   | 104.8                               |                               | 74                       |                        |                      |
| GDD400-20A   | 1092              | 303.3 | 19.5                   | 1480                                    | 72.5                                | 90                            | 80                       | 6.5                    | 1825                 |
|              | 1456              | 404.4 | 17                     |   | 80.2                                |                               | 84                       |                        |                      |
|              | 1720              | 480.2 | 13                     |   | 83.1                                |                               | 73                       |                        |                      |
| GDD400-32    | 1200              | 333.3 | 35                     | 1480                                    | 142.9                               | 200                           | 80                       | 6.5                    | 2360                 |
|              | 1600              | 444.4 | 32                     |   | 164                                 |                               | 85                       |                        |                      |
|              | 1900              | 527.8 | 26                     |   | 172.4                               |                               | 78                       |                        |                      |
| GDD400-32A   | 1092              | 303.3 | 30                     | 1480                                    | 112.9                               | 160                           | 79                       | 6.5                    | 2289                 |
|              | 1456              | 404.4 | 27.5                   |   | 129.8                               |                               | 84                       |                        |                      |
|              | 1720              | 480.2 | 22.5                   |   | 137.6                               |                               | 77                       |                        |                      |
| GDD400-32B   | 994               | 276   | 26                     | 1480                                    | 91.1                                | 132                           | 77                       | 6.5                    | 2021                 |
|              | 1325              | 368   | 23.5                   |   | 103.4                               |                               | 82                       |                        |                      |
|              | 1573              | 437.1 | 19                     |   | 108.5                               |                               | 75                       |                        |                      |
| GDD500-13    | 1620              | 450   | 15                     | 980                                     | 83.8                                | 110                           | 79                       | 5.7                    | 2650                 |
|              | 2020              | 561.1 | 13                     |   | 86.2                                |                               | 83                       |                        |                      |
|              | 2340              | 650   | 10.4                   |   | 82.8                                |                               | 80                       |                        |                      |
| GDD500-22    | 1620              | 450   | 24.5                   | 980                                     | 140.4                               | 160                           | 77                       | 5.7                    | 3652                 |
|              | 2020              | 561.1 | 22                     |   | 144.1                               |                               | 84                       |                        |                      |
|              | 2340              | 650   | 19.4                   |   | 145.4                               |                               | 85                       |                        |                      |
| GDD500-22A   | 1400              | 389   | 20                     | 980                                     | 103                                 | 132                           | 74                       | 5.7                    | 3586                 |
|              | 1746              | 485   | 17                     |   | 101                                 |                               | 80                       |                        |                      |
|              | 2020              | 561.1 | 15                     |   | 105.8                               |                               | 78                       |                        |                      |
| GDD500-27    | 1620              | 450   | 31                     | 980                                     | 166.8                               | 200                           | 82                       | 5.7                    | 4122                 |
|              | 2020              | 561.1 | 27                     |   | 174.7                               |                               | 85                       |                        |                      |
|              | 2340              | 650   | 21                     |   | 183.3                               |                               | 73                       |                        |                      |

## 外形及安装尺寸 INSTALLING DIMENSIONS



| 型号<br>Model | 外形尺寸<br>Outline dimensions |          |         |         |       |     |     |     | 法兰尺寸<br>Flange size |     |    |        |
|-------------|----------------------------|----------|---------|---------|-------|-----|-----|-----|---------------------|-----|----|--------|
|             | h                          | H        | L       | B       | $d_1$ | E   | F   | G   | $D_1$               | D   | b  | n-d    |
| GDD32-5     | 80                         | 418      | 120     | 95      | 10    | 140 | 280 | 270 | 100                 | 140 | 18 | 4-17.5 |
| GDD32-8     | 100                        | 440      | 165     | 140     | 12    | 160 | 320 | 270 | 100                 | 140 | 18 | 4-17.5 |
| GDD32-12.5  | 100                        | 471      | 165     | 140     | 12    | 180 | 360 | 300 | 100                 | 140 | 18 | 4-17.5 |
| GDD32-20    | 105                        | 513      | 220     | 190     | 14    | 241 | 482 | 315 | 100                 | 140 | 18 | 4-18   |
| GDD32-20A   | 105                        | 488      | 220     | 190     | 14    | 241 | 482 | 315 | 100                 | 140 | 18 | 4-18   |
| GDD40-5     | 120                        | 410      | 190     | 160     | 14    | 150 | 310 | 270 | 110                 | 150 | 18 | 4-17.5 |
| GDD40-8     | 145                        | 485      | 230x180 | 195x140 | 14    | 160 | 340 | 300 | 110                 | 150 | 18 | 4-17.5 |
| GDD40-12.5  | 110                        | 488      | 200     | 170     | 14    | 190 | 380 | 345 | 110                 | 150 | 18 | 4-19   |
| GDD40-12.5A | 110                        | 476      | 200     | 170     | 14    | 190 | 380 | 345 | 110                 | 150 | 18 | 4-19   |
| GDD40-20    | 105                        | 540      | 220     | 190     | 14    | 225 | 450 | 350 | 110                 | 150 | 18 | 4-17.5 |
| GDD40-20A   | 105                        | 505      | 220     | 190     | 14    | 225 | 450 | 350 | 110                 | 150 | 18 | 4-17.5 |
| GDD40-30(A) | 110                        | 550      | 250     | 220     | 14    | 250 | 510 | 410 | 110                 | 165 | 18 | 4-18   |
| GDD50-8(A)  | 145                        | 480(460) | 230x180 | 195x140 | 14    | 190 | 400 | 310 | 125                 | 165 | 23 | 4-17.5 |
| GDD50-12.5  | 160                        | 512      | 250     | 215     | 14    | 180 | 390 | 350 | 125                 | 165 | 23 | 4-17.5 |
| GDD50-12.5A | 160                        | 487      | 250     | 215     | 14    | 180 | 390 | 350 | 125                 | 165 | 23 | 4-17.5 |
| GDD50-17    | 105                        | 540      | 220     | 190     | 14    | 225 | 450 | 410 | 125                 | 165 | 20 | 4-17.5 |
| GDD50-20    | 105                        | 540      | 220     | 190     | 14    | 225 | 450 | 410 | 125                 | 165 | 20 | 4-17.5 |
| GDD50-30    | 110                        | 575      | 220     | 190     | 14    | 250 | 510 | 410 | 125                 | 165 | 20 | 4-18   |
| GDD50-30A   | 110                        | 555      | 220     | 190     | 14    | 250 | 510 | 410 | 125                 | 165 | 20 | 4-18   |
| GDD65-8     | 155                        | 535      | 230x180 | 195x140 | 14    | 200 | 400 | 300 | 145                 | 185 | 22 | 4-17.5 |
| GDD65-12    | 160                        | 565      | 250x200 | 215x160 | 14    | 225 | 450 | 320 | 145                 | 185 | 21 | 4-17.5 |
| GDD65-12A   | 160                        | 505      | 250x200 | 215x160 | 14    | 225 | 450 | 320 | 145                 | 185 | 21 | 4-17.5 |
| GDD65-20    | 120                        | 565      | 200     | 170     | 14    | 270 | 540 | 315 | 150                 | 185 | 20 | 4-18   |
| GDD65-20A   | 120                        | 565      | 200     | 170     | 14    | 270 | 540 | 315 | 150                 | 185 | 20 | 4-18   |
| GDD65-32    | 135                        | 665      | 260     | 260     | 14    | 290 | 590 | 420 | 145                 | 160 | 20 | 4-18   |
| GDD65-32A   | 135                        | 665      | 260     | 260     | 14    | 290 | 590 | 420 | 145                 | 185 | 20 | 4-18   |
| GDD65-32B   | 135                        | 600      | 260     | 260     | 14    | 290 | 590 | 420 | 145                 | 185 | 20 | 4-18   |
| GDD80-8     | 160                        | 630      | 220     | 180     | 18    | 220 | 460 | 360 | 160                 | 200 | 22 | 8-19   |

外形及安装尺寸  
INSTALLING DIMENSIONS

| 型号<br>Model    | 外形尺寸<br>Outline dimensions |                |         |         |                |     |     |     | 法兰尺寸<br>Flange size |     |    |        |
|----------------|----------------------------|----------------|---------|---------|----------------|-----|-----|-----|---------------------|-----|----|--------|
|                | h                          | H              | L       | B       | d <sub>1</sub> | E   | F   | G   | D <sub>1</sub>      | D   | b  | n-d    |
| GDD80-12(A)    | 175                        | 600(580)       | 250x200 | 215x160 | 14             | 240 | 480 | 350 | 160                 | 200 | 22 | 8-17.5 |
| GDD80-20       | 130                        | 660            | 250     | 215     | 14             | 250 | 515 | 410 | 160                 | 200 | 22 | 8-19   |
| GDD80-20A      | 130                        | 595            | 250     | 215     | 14             | 250 | 515 | 410 | 160                 | 200 | 22 | 8-19   |
| GDD80-20B      | 130                        | 575            | 250     | 215     | 14             | 250 | 515 | 410 | 160                 | 200 | 22 | 8-19   |
| GDD80-32       | 155                        | 815            | 275     | 240     | 14             | 280 | 565 | 480 | 160                 | 200 | 22 | 8-17.5 |
| GDD80-32A      | 155                        | 725            | 275     | 240     | 14             | 280 | 565 | 480 | 160                 | 200 | 22 | 8-17.5 |
| GDD80-32B      | 155                        | 685            | 275     | 240     | 14             | 280 | 565 | 480 | 160                 | 200 | 22 | 8-17.5 |
| GDD100-12      | 215                        | 700            | 250x200 | 215x160 | 14             | 280 | 565 | 410 | 180                 | 220 | 24 | 8-17.5 |
| GDD100-12A(B)  | 215                        | 655            | 250x200 | 215x160 | 14             | 280 | 565 | 410 | 180                 | 220 | 24 | 8-17.5 |
| GDD100-15      | 140                        | 710            | 300     | 260     | 14             | 280 | 580 | 420 | 180                 | 220 | 24 | 8-18   |
| GDD100-19      | 140                        | 710            | 300     | 260     | 14             | 280 | 580 | 420 | 180                 | 220 | 24 | 8-18   |
| GDD100-19A     | 140                        | 670            | 300     | 260     | 14             | 280 | 580 | 420 | 180                 | 220 | 24 | 8-18   |
| GDD100-21      | 140                        | 670            | 300     | 260     | 14             | 280 | 580 | 420 | 180                 | 220 | 24 | 8-18   |
| GDD100-23      | 140                        | 785            | 300     | 260     | 14             | 280 | 580 | 430 | 180                 | 220 | 24 | 8-17.5 |
| GDD100-32(A)   | 155                        | 860(815)       | 300     | 260     | 14             | 315 | 650 | 500 | 180                 | 220 | 24 | 8-18   |
| GDD100-32B     | 155                        | 730            | 300     | 260     | 14             | 315 | 650 | 500 | 180                 | 220 | 24 | 8-18   |
| GDD100-50(A)   | 200                        | 1050           | 320     | 260     | 14             | 360 | 720 | 580 | 180                 | 220 | 24 | 8-17.5 |
| GDD100-50B(C)  | 200                        | 985            | 320     | 260     | 14             | 360 | 720 | 580 | 180                 | 220 | 24 | 8-17.5 |
| GDD125-20(A)   | 190                        | 896(851)       | 280     | 240     | 14             | 330 | 690 | 520 | 210                 | 250 | 26 | 8-17.5 |
| GDD125-32(A/B) | 200                        | 985            | 300     | 240     | 14             | 360 | 760 | 560 | 210                 | 250 | 26 | 8-18   |
| GDD125-34      | 200                        | 945            | 280     | 240     | 18             | 360 | 760 | 560 | 210                 | 250 | 26 | 8-18   |
| GDD125-50      | 210                        | 1064           | 360     | 300     | 14             | 365 | 780 | 660 | 210                 | 250 | 30 | 8-19   |
| GDD125-50(A/B) | 210                        | 1064(1049/984) | 360     | 300     | 14             | 365 | 780 | 660 | 210                 | 250 | 30 | 8-19   |
| GDD150-20      | 205                        | 1042           | 280     | 240     | 14             | 355 | 715 | 550 | 240                 | 285 | 26 | 8-22   |
| GDD150-20A(B)  | 205                        | 912(867)       | 280     | 240     | 14             | 355 | 715 | 550 | 240                 | 285 | 26 | 8-22   |
| GDD150-22      | 205                        | 1082           | 280     | 240     | 18             | 355 | 715 | 550 | 240                 | 285 | 28 | 8-23   |
| GDD150-32G     | 204                        | 1049           | 380     | 300     | 14             | 355 | 735 | 600 | 240                 | 285 | 28 | 8-23   |
| GDD150-32      | 204                        | 1049           | 360     | 300     | 14             | 355 | 735 | 600 | 240                 | 285 | 28 | 8-22   |
| GDD150-32A(B)  | 204                        | 1044           | 360     | 300     | 14             | 355 | 735 | 600 | 240                 | 285 | 28 | 8-22   |
| GDD150-49      | 210                        | 1784           | 360     | 300     | 14             | 400 | 850 | 650 | 240                 | 285 | 26 | 8-23   |
| GDD150-49A     | 210                        | 1699           | 360     | 300     | 14             | 400 | 850 | 650 | 240                 | 285 | 26 | 8-23   |
| GDD150-50      | 210                        | 1699           | 360     | 300     | 14             | 400 | 850 | 650 | 240                 | 285 | 26 | 8-23   |
| GDD150-50(A/B) | 210                        | 1574(1659)     | 360     | 300     | 14             | 400 | 850 | 650 | 240                 | 285 | 26 | 8-23   |
| GDD200-24      | 230                        | 1125           | 400     | 320     | 14             | 380 | 800 | 590 | 295                 | 340 | 30 | 12-23  |
| GDD200-24A(B)  | 230                        | 1080(1050)     | 400     | 320     | 14             | 380 | 800 | 590 | 295                 | 340 | 30 | 12-23  |
| GDD200-32      | 245                        | 1205           | 400     | 320     | 14             | 400 | 850 | 700 | 295                 | 340 | 30 | 12-23  |
| GDD200-32A(B)  | 245                        | 1065           | 400     | 320     | 14             | 400 | 850 | 730 | 295                 | 340 | 30 | 12-23  |
| GDD200-48      | 260                        | 1726           | 450     | 360     | 14             | 450 | 950 | 730 | 295                 | 340 | 30 | 12-23  |
| GDD200-48A(B)  | 260                        | 1135           | 450     | 360     | 14             | 450 | 950 | 730 | 295                 | 340 | 30 | 12-23  |
| GDD250-20(A)   | 280                        | 1060           | 380     | 300     | 14             | 450 | 900 | 610 | 355                 | 405 | 32 | 12-28  |

外形及安装尺寸  
INSTALLING DIMENSIONS

| 型号<br>Model   | 外形尺寸<br>Outline dimensions |            |      |      |                |     |      |      | 法兰尺寸<br>Flange size |     |    |       |
|---------------|----------------------------|------------|------|------|----------------|-----|------|------|---------------------|-----|----|-------|
|               | h                          | H          | L    | B    | d <sub>1</sub> | E   | F    | G    | D <sub>1</sub>      | D   | b  | n-d   |
| GDD250-24(A)  | 260                        | 1626(1620) | 450  | 300  | 27             | 500 | 950  | 630  | 355                 | 405 | 32 | 12-23 |
| GDD250-26     | 260                        | 1426       | 450  | 360  | 14             | 450 | 950  | 630  | 350                 | 405 | 32 | 12-22 |
| GDD250-32     | 260                        | 1680       | 450  | 360  | 14             | 450 | 950  | 680  | 355                 | 405 | 32 | 12-28 |
| GDD250-32A(B) | 260                        | 1600(1575) | 450  | 360  | 14             | 450 | 950  | 680  | 355                 | 405 | 32 | 12-28 |
| GDD250-38(A)  | 265                        | 1705       | 460  | 400  | 28             | 550 | 1100 | 750  | 355                 | 405 | 32 | 12-26 |
| GDD250-40A    | 360                        | 1608       | 500  | 450  | 24             | 500 | 1100 | 665  | 350                 | 405 | 32 | 12-22 |
| GDD250-50     | 290                        | 1863       | 450  | 360  | 24             | 470 | 1020 | 760  | 355                 | 405 | 32 | 12-28 |
| GDD250-50A(B) | 290                        | 1813(1743) | 450  | 360  | 24             | 470 | 1020 | 760  | 355                 | 405 | 32 | 12-28 |
| GDD300-15(A)  | 310                        | 1160(1095) | 480  | 400  | 14             | 500 | 1050 | 670  | 410                 | 460 | 35 | 12-28 |
| GDD300-17(A)  | 290                        | 1610(1580) | 460  | 400  | 28             | 500 | 1100 | 665  | 400                 | 460 | 34 | 12-22 |
| GDD300-22     | 310                        | 1610       | 460  | 400  | 28             | 500 | 1100 | 690  | 400                 | 460 | 34 | 12-22 |
| GDD300-24(A)  | 310                        | 1600(1575) | 480  | 400  | 14             | 500 | 1050 | 690  | 410                 | 460 | 35 | 12-28 |
| GDD300-32(A)  | 255                        | 1800       | 500  | 440  | 28             | 500 | 1000 | 710  | 410                 | 460 | 34 | 12-26 |
| GDD300-38F    | 265                        | 2240       | 560  | 500  | 28             | 550 | 1100 | 730  | 410                 | 460 | 35 | 12-28 |
| GDD300-38FA   | 265                        | 2070       | 560  | 500  | 28             | 550 | 1100 | 730  | 410                 | 460 | 35 | 12-28 |
| GDD300-38G    | 265                        | 2270       | 560  | 500  | 28             | 550 | 1100 | 730  | 410                 | 460 | 35 | 12-28 |
| GDD300-38GA   | 265                        | 2240       | 560  | 500  | 28             | 550 | 1100 | 730  | 410                 | 460 | 35 | 12-28 |
| GDD300-40     | 360                        | 1676       | 500  | 450  | 25             | 500 | 1100 | 750  | 410                 | 460 | 34 | 12-26 |
| GDD300-40A    | 360                        | 1606       | 500  | 450  | 25             | 500 | 1100 | 750  | 410                 | 460 | 34 | 12-26 |
| GDD300-50     | 270                        | 2145       | 560  | 500  | 27             | 600 | 1200 | 940  | 410                 | 460 | 35 | 12-28 |
| GDD300-50A    | 270                        | 2095       | 560  | 500  | 27             | 600 | 1200 | 940  | 410                 | 460 | 35 | 12-28 |
| GDD300-65     | 270                        | 2145       | 560  | 500  | 27             | 600 | 1200 | 940  | 410                 | 460 | 35 | 12-28 |
| GDD300-65A    | 270                        | 2095       | 560  | 500  | 27             | 600 | 1200 | 940  | 410                 | 460 | 35 | 12-28 |
| GDD350-17     | 320                        | 1835       | 510  | 460  | 28             | 750 | 1500 | 730  | 470                 | 520 | 36 | 16-28 |
| GDD350-17A    | 320                        | 1835       | 510  | 460  | 28             | 750 | 1500 | 730  | 470                 | 520 | 36 | 16-28 |
| GDD350-20(A)  | 290                        | 1855(1770) | 450  | 400  | 28             | 500 | 1100 | 760  | 470                 | 520 | 36 | 16-26 |
| GDD350-26(A)  | 290                        | 1610(1580) | 460  | 400  | 28             | 500 | 1100 | 665  | 400                 | 460 | 34 | 12-22 |
| GDD350-32     | 290                        | 1950       | 560  | 500  | 27             | 550 | 1100 | 780  | 470                 | 520 | 36 | 16-28 |
| GDD350-32A(B) | 290                        | 1770(1750) | 560  | 500  | 27             | 550 | 1100 | 780  | 470                 | 520 | 36 | 16-28 |
| GDD350-44     | 320                        | 2280       | 510  | 460  | 27             | 600 | 1200 | 940  | 470                 | 520 | 36 | 16-28 |
| GDD350-44A(B) | 320                        | 2235       | 510  | 460  | 27             | 600 | 1200 | 940  | 470                 | 520 | 36 | 16-28 |
| GDD400-14.5   | 320                        | 2255(1835) | 580  | 500  | 32             | 800 | 1600 | 956  | 515                 | 565 | 34 | 16-28 |
| GDD400-20(A)  | 320                        | 2155       | 580  | 500  | 32             | 800 | 1600 | 996  | 515                 | 565 | 34 | 16-28 |
| GDD400-32     | 320                        | 2335       | 580  | 500  | 32             | 800 | 1600 | 1115 | 515                 | 565 | 34 | 16-28 |
| GDD400-32A(B) | 320                        | 2335(2155) | 580  | 500  | 32             | 800 | 1600 | 1115 | 515                 | 565 | 34 | 16-28 |
| GDD500-13     | 400                        | 2235       | 1180 | 1060 | 40             | 775 | 1550 | 976  | 620                 | 670 | 34 | 20-28 |
| GDD500-22(A)  | 400                        | 2550       | 1180 | 1060 | 40             | 775 | 1550 | 1000 | 620                 | 670 | 34 | 20-28 |
| GDD500-27     | 400                        | 2850       | 1180 | 1060 | 40             | 775 | 1550 | 1000 | 620                 | 670 | 34 | 20-28 |



## 安装

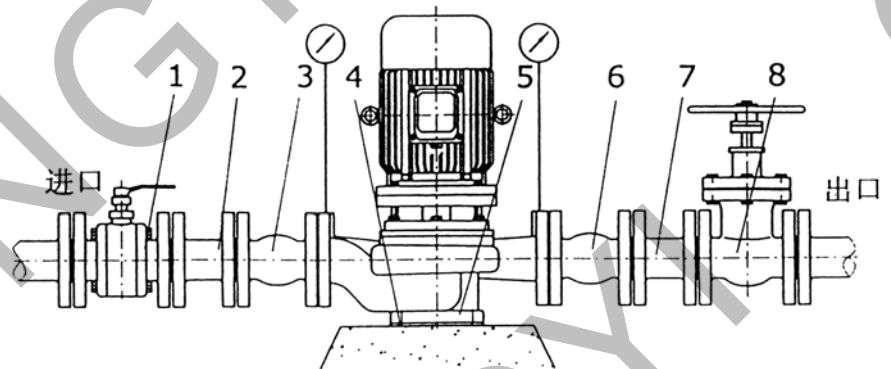
安装前检查管路系统及泵体应清除固体硬物，以免损坏叶轮或堵塞流道，影响泵的性能。

安装时管路重量不允许加在泵上，以免泵变形，影响正常运转。

在泵的进出口管路上安装调节阀，并在泵进出口法兰上装上压力表，以控制泵在额定工况内运行，确保泵的正常运行。  
(出口压力 - 进口压力 = 泵扬程)。

排出口如装单向阀门应装在闸阀外面。

1. 进口球阀
2. 直短管
3. 挠性橡胶接头
4. 橡胶隔振垫片
5. 底板
6. 挠性橡胶接头
7. 直短管
8. 出口闸阀



## INSTALLATION

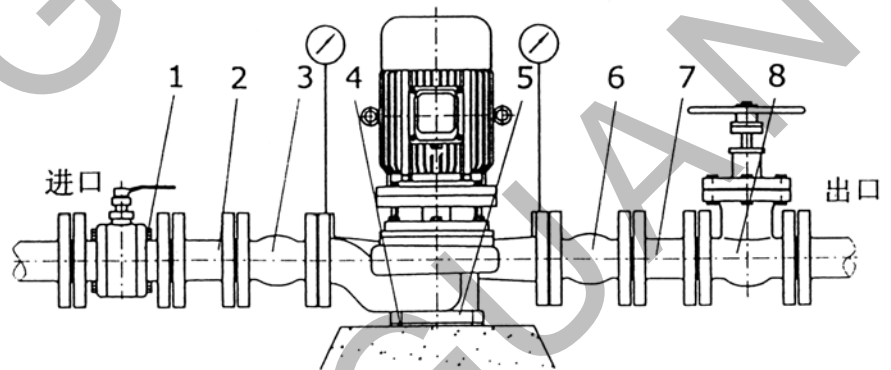
\*Check the pipeline system and pump casing before installation, in order to clear away the hard things which will damage the impeller and clog the flow passage, even will influence the performance of the pump.

\*The weight of the pipes should not add to the pump, if not, it will damage the pump or influence the normal operation.

\*Install the control valve to the inlet and outlet pipeline and install the pressure gauge to the inlet and outlet flange, to control the pump operate in the rated capacity and normal operation. (outlet pressure - inlet pressure = pump head).

\*If install the non - return valve in the discharge, it should be installed after the check valve.

1. Inlet ball valve
2. Straight tube
3. Flexible plastic joint
4. Vibration damping washer.
5. Base plate
6. Flexible plastic joint
7. Straight tube
8. Outlet check valve



GUANGYI GUANGYI



GUANGYI GUANGYI



广州市第一水泵厂 广州广一泵业有限公司  
GUANGZHOU NO.1 PUMP FACTORY GUANGZHOU GUANGYI PUMP INDUSTRY CO.,LTD.

全国统一服务热线 400 604 3398

地址：广州市科韵南路133号  
销售部电话：(020) 66834613

66834616  
66834618

技术咨询：(020) 66834627  
维修部电话：(020) 66834630

66834631

服务投诉：(020) 66834612

传真：(020) 66834619  
66834629

E-mail: sales@gygcn.com

网址URL: http://www.gygcn.com

说明书内容如有改动，恕不另行通知  
All specifications subject to change without notice

GDD201112-