



立式多级消防泵组XBD-DLL型
VERTICAL MULTISTAGE FIRE PUMP

产品执行标准 GB 6245

用途

XBD-DLL型消防泵组特别适用于高低层建筑住宅、医院、旅馆、百货大楼、办公大楼等的消防系统，亦可用于生活供水、空调机组循环及冷却水输送等。

输送介质

主要供吸送稀释的、清洁的、不腐蚀的、不爆炸的清水及物理化学性质类似水不含固体颗粒或纤维的液体。

性能范围

转速	2950r/min	
额定流量	5 - 60 L/s	18 - 216m ³ /h
额定压力	0.245 - 2.549Mpa	25 - 260m
进水口径	50 - 150mm	

工况条件

介质温度：0 - 80

泵说明

XBD-DLL型立式多级消防泵组是根据我国消防用途的需要，按照有关消防标准和规范而开发的新产品。

XBD-DLL型消防泵特点是采用高速结构，与中速消防泵组相比级数减少，所以其机组高度及重量大大减少；轴封采用机械密封，水泵无泄漏，泵房干燥清洁；独特的轴承盒结构，只要卸下电机，便能更换轴承和机械密封，因此安装维修方便。扬程间隔小，可每10米设一档。便于设计选用。

泵结构说明

泵组为立式多级节段式结构，用螺栓把进水段、出水段夹紧联成一体。泵每一级装一个叶轮。一个导水叶、泵的轴向力采用水力平衡方法解决，残余轴向力由一个球同轴承受，并用油脂润滑。

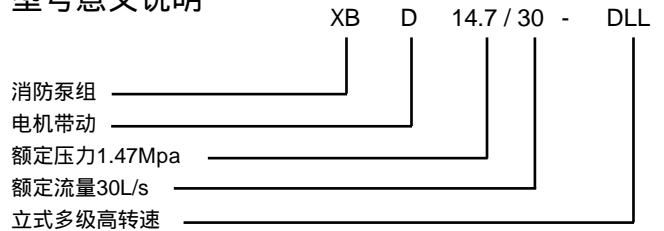
泵的吸入口在下方，排出口在上方，两者相对位置在工厂出厂时按180°装配，除一级泵外，用户可根据需要，调整出水段90°、180°、270°的方向。取出拉紧螺栓就可调整排出口安装位置。

泵组可以2-3个出水口同时工作。

旋转方向

泵的传动是通过弹性联轴器由立式电机带动。从电机端往泵方向看，水泵顺时针方向旋转。

型号意义说明



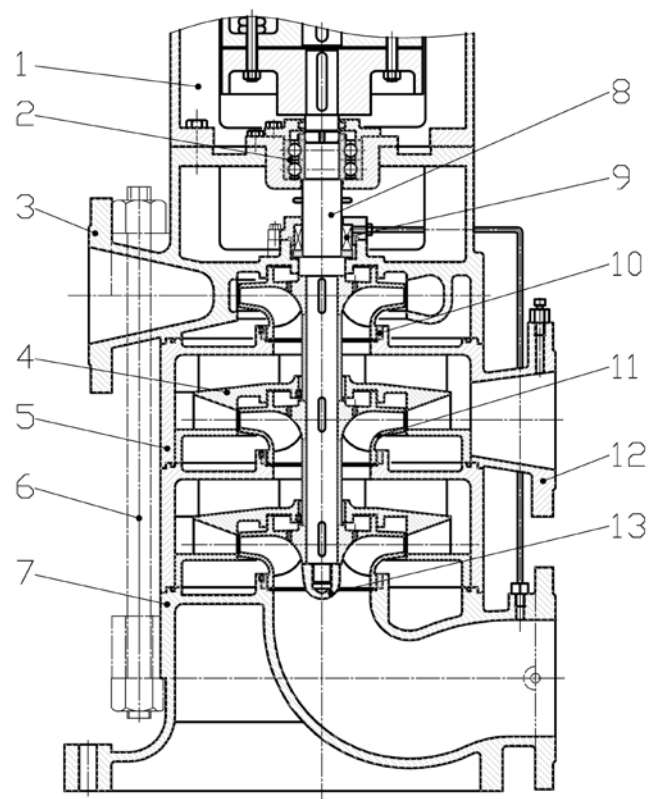
装置

电机机配用Y型方式电机，运行平衡、安装方便。

零件表

序号	组件	材料	备注
1	电机座	铸铁	
2	轴承	单列向心球轴承	易损件
3	出水段	铸铁	
4	导水叶	铸铁	
5	中段	铸铁	
6	拉紧螺栓	45	
7	进水段	铸铁	
8	轴	45	
9	密封	机械密封	易损件
10	密封环		易损件
11	叶轮	铸铁或铜	易损件
12	中间出水段	铸铁	
13	叶轮螺母	铸铁或铜	

用户如对部件材质有特殊要求，请在定货时提出。



性能参数表

型号	流量Q		压力P MPa	扬程H m	转速n r/min	功率P		效率η %	必需汽蚀余量 (NPSH)r (m)
	L/s	m ³ /h				轴功率(kW)	电机功率(kW)		
XBD2.4/5-DLL	3	10.8	0.259	26.5	2950	1.6	3	50	2.3
	5	18	0.245	25		2.1			
	6	21.6	0.230	23.5		2.3			
XBD3.9/5-DLL	3	10.8	0.415	42.4	2950	2.5	4	50	2.3
	5	18	0.392	40		3.4			
	6	21.6	0.368	37.6		3.7			
XBD4.9/5-DLL	3	10.8	0.519	53	2950	3.1	5.5	50	2.3
	5	18	0.490	50		4.2			
	6	21.6	0.460	47		4.6			
XBD5.8/5-DLL	3	10.8	0.632	63.6	2950	3.7	7.5	50	2.3
	5	18	0.588	60		5.1			
	6	21.6	0.522	56.4		5.5			
XBD7.3/5-DLL	3	10.8	0.779	79.5	2950	4.7	7.5	50	2.3
	5	18	0.735	75		6.3			
	6	21.6	0.691	70.5		6.9			
XBD8.8/5-DLL	3	10.8	0.935	95.4	2950	5.6	11	50	2.3
	5	18	0.882	90		7.6			
	6	21.6	0.829	84.6		8.3			
XBD9.8/5-DLL	3	10.8	1.039	106	2950	6.2	11	50	2.3
	5	18	0.980	100		8.4			
	6	21.6	0.921	94		9.2			
XBD10.7/5-DLL	3	10.8	1.143	116.6	2950	6.9	11	50	2.3
	5	18	1.078	110		9.3			
	6	21.6	1.013	103.4		10.1			
XBD12.2/5-DLL	3	10.8	1.299	132.5	2950	7.8	15	50	2.3
	5	18	1.225	125		10.6			
	6	21.6	1.151	117.5		11.5			
XBD13.2/5-DLL	3	10.8	1.402	143.1	2950	8.4	15	50	2.3
	5	18	1.323	135		11.4			
	6	21.6	1.244	126.9		12.4			
XBD14.7/5-DLL	3	10.8	1.558	159	2950	9.3	15	50	2.3
	5	18	1.470	150		12.7			
	6	21.6	1.382	141		13.8			
XBD17.1/5-DLL	3	10.8	1.818	185.5	2950	10.9	18.5	50	2.3
	5	18	1.715	175		14.8			
	6	21.6	1.612	164.5		16.1			
XBD2.9/10-DLL	6	21.6	0.326	33.3	2950	3.4	5.5	58	2.7
	10	36	0.294	30		4.5			
	12	43.2	0.264	27		4.8			
XBD4.4/10-DLL	6	21.6	0.490	50	2950	5.1	7.5	58	2.7
	10	36	0.441	45		6.8			
	12	43.2	0.397	40.5		7.2			
XBD5.8/10-DLL	6	21.6	0.653	66.7	2950	6.8	11	58	2.7
	10	36	0.588	60		9.0			
	12	43.2	0.529	54		9.6			
XBD7.3/10-DLL	6	21.6	0.816	83.3	2950	8.4	15	58	2.7
	10	36	0.735	75		11.3			
	12	43.2	0.661	67.5		12.0			
XBD8.8/10-DLL	6	21.6	0.980	100	2950	10.1	18.5	58	2.7
	10	36	0.882	90		13.6			
	12	43.2	0.794	81		14.4			
XBD10.2/10-DLL	6	21.6	1.143	116.7	2950	11.8	18.5	58	2.7
	10	36	1.029	105		15.8			
	12	43.2	0.926	94.5		16.8			
XBD11.7/10-DLL	6	21.6	1.307	133.3	2950	13.5	22	58	2.7
	10	36	1.176	120		18.1			
	12	43.2	1.058	108		19.2			
XBD13.2/10-DLL	6	21.6	1.470	150	2950	15.2	22	58	2.7
	10	36	1.323	135		20.4			
	12	43.2	1.191	121.5		21.6			
XBD14.7/10-DLL	6	21.6	1.633	166.7	2950	16.9	30	58	2.7
	10	36	1.470	150		22.6			
	12	43.2	1.323	135		24.1			
XBD16.6/10-DLL	6	21.6	1.851	188.9	2950	19.2	30	58	2.7
	10	36	1.666	170		25.6			
	12	43.2	1.500	153		27.3			
XBD17.6/10-DLL	6	21.6	1.960	200	2950	20.3	37	58	2.7
	10	36	1.764	180		27.1			
	12	43.2	1.588	162		28.9			
XBD19.6/10-DLL	6	21.6	2.178	222.2	2950	22.5	37	58	2.7
	10	36	1.960	200		30.2			
	12	43.2	1.764	180		32.1			
XBD3.9/15-DLL	9	32.4	0.415	42.4	2950	6.3	11	59	2.7
	15	54	0.392	40		8.4			
	18	64.8	0.368	37.6		9.6			
XBD4.9/15-DLL	9	32.4	0.519	53	2950	7.9	15	59	2.7
	15	54	0.490	50		10.5			
	18	64.8	0.460	47		12.0			
XBD5.8/15-DLL	9	32.4	0.623	63.6	2950	9.5	15	59	2.7
	15	54	0.588	60		12.6			
	18	64.8	0.552	56.4		14.4			
XBD7.8/15-DLL	9	32.4	0.831	84.8	2950	12.7	22	59	2.7
	15	54	0.784	80		16.8			
	18	64.8	0.737	75.2		19.2			
XBD8.8/15-DLL	9	32.4	0.935	95.4	2950	14.3	30	59	2.7
	15	54	0.882	90		18.9			
	18	64.8	0.829	84.6		21.6			
XBD9.8/15-DLL	9	32.4	1.039	106	2950	15.8	30	59	2.7
	15	54	0.980	100		21.0			
	18	64.8	0.921	94		24.0			

性能参数表

型号	流量Q		压力P MPa	扬程H m	转速n r/min	功率P		效率η %	必需汽蚀余量(NPSH) _r (m)
	L/s	m ³ /h				轴功率(kW)	电机功率(kW)		
XBD10.7/15-DLL	9	32.4	1.143	116.6	2950	17.4	30	59	2.7
	15	54	1.078	110		23.1		70	3
	18	64.8	1.013	103.4		26.4		69	3.4
XBD11.7/15-DLL	9	32.4	1.247	127.2	2950	19.0	30	59	2.7
	15	54	1.176	120		25.2		70	3
	18	64.8	1.105	112.8		28.8		69	3.4
XBD12.7/15-DLL	9	32.4	1.350	137.8	2950	20.6	37	59	2.7
	15	54	1.274	130		27.3		70	3
	18	64.8	1.198	122.2		31.2		69	3.4
XBD13.7/15-DLL	9	32.4	1.454	148.4	2950	22.2	37	59	2.7
	15	54	1.372	140		29.4		70	3
	18	64.8	1.290	131.6		33.6		69	3.4
XBD14.7/15-DLL	9	32.4	1.558	159	2950	23.8	37	59	2.7
	15	54	1.470	150		31.5		70	3
	18	64.8	1.382	141		36.0		69	3.4
XBD15.6/15-DLL	9	32.4	1.662	169.6	2950	25.4	45	59	2.7
	15	54	1.568	160		33.6		70	3
	18	64.8	1.474	150.4		38.5		69	3.4
XBD16.6/15-DLL	9	32.4	1.776	180.2	2950	26.9	45	59	2.7
	15	54	1.666	170		35.7		70	3
	18	64.8	1.566	159.8		40.9		69	3.4
XBD17.6/15-DLL	9	32.4	1.870	190.8	2950	28.5	45	59	2.7
	15	54	1.764	180		37.8		70	3
	18	64.8	1.658	169.2		43.3		69	3.4
XBD18.6/15-DLL	9	32.4	1.974	201.4	2950	30.1	55	59	2.7
	15	54	1.862	190		39.9		70	3
	18	64.8	1.750	178.6		45.7		69	3.4
XBD19.6/15-DLL	9	32.4	2.078	212	2950	31.7	55	59	2.7
	15	54	1.960	200		42.0		70	3
	18	64.8	1.843	188		48.1		69	3.4
XBD3.9/20-DLL	12	43.2	0.408	41.7	2950	7.8	15	63	3.2
	20	72	0.392	40		11.2		70	3.5
	24	86.4	0.366	37.3		12.4		71	3.8
XBD4.9/20-DLL	12	43.2	0.510	52.1	2950	9.7	18.5	63	3.2
	20	72	0.490	50		14.0		70	3.5
	24	86.4	0.457	46.7		15.5		71	3.8
XBD5.8/20-DLL	12	43.2	0.612	62.5	2950	11.7	22	63	3.2
	20	72	0.588	60		16.8		70	3.5
	24	86.4	0.549	56		18.6		71	3.8
XBD7.8/20-DLL	12	43.2	0.816	83.3	2950	15.5	30	63	3.2
	20	72	0.784	80		22.4		70	3.5
	24	86.4	0.732	74.7		24.7		71	3.8
XBD8.8/20-DLL	12	43.2	0.919	93.8	2950	17.5	30	63	3.2
	20	72	0.882	90		25.2		70	3.5
	24	86.4	0.823	84		27.8		71	3.8
XBD9.8/20-DLL	12	43.2	1.021	104.2	2950	19.5	37	63	3.2
	20	72	0.980	100		28.0		70	3.5
	24	86.4	0.915	93.3		30.9		71	3.8
XBD11.7/20-DLL	12	43.2	1.225	125	2950	23.3	45	63	3.2
	20	72	1.176	120		33.6		70	3.5
	24	86.4	1.098	112		37.1		71	3.8
XBD13.7/20-DLL	12	43.2	1.429	145.8	2950	27.2	55	63	3.2
	20	72	1.372	140		39.2		70	3.5
	24	86.4	1.281	130.7		43.3		71	3.8
XBD14.7/20-DLL	12	43.2	1.531	156.3	2950	29.2	55	63	3.2
	20	72	1.470	150		42.0		70	3.5
	24	86.4	1.372	140		46.4		71	3.8
XBD15.6/20-DLL	12	43.2	1.633	166.7	2950	31.1	55	63	3.2
	20	72	1.568	160		44.8		70	3.5
	24	86.4	1.464	149.3		49.5		71	3.8
XBD16.6/20-DLL	12	43.2	1.736	177.1	2950	33.1	55	63	3.2
	20	72	1.666	170		47.6		70	3.5
	24	86.4	1.555	158.7		52.6		71	3.8
XBD17.6/20-DLL	12	43.2	1.838	187.5	2950	35.0	75	63	3.2
	20	72	1.764	180		50.4		70	3.5
	24	86.4	1.647	168		55.7		71	3.8
XBD18.6/20-DLL	12	43.2	1.940	197.9	2950	36.9	75	63	3.2
	20	72	1.862	190		53.2		70	3.5
	24	86.4	1.738	177.3		58.7		71	3.8
XBD19.6/20-DLL	12	43.2	2.042	208.3	2950	38.9	75	63	3.2
	20	72	1.960	200		56.0		70	3.5
	24	86.4	1.830	186.7		61.8		71	3.8
XBD21.5/20-DLL	12	43.2	2.246	229.2	2950	42.8	75	63	3.2
	20	72	2.156	220		61.6		70	3.5
	24	86.4	2.103	205.3		68.0		71	3.8
XBD23.5/20-DLL	12	43.2	2.450	250	2950	46.7	75	63	3.2
	20	72	2.352	240		67.2		70	3.5
	24	86.4	2.196	224		74.2		71	3.8
XBD24.5/20-DLL	12	43.2	2.553	260.4	2950	48.6	90	63	3.2
	20	72	2.450	250		70.0		70	3.5
	24	86.4	2.287	233.3		77.3		71	3.8
XBD25.4/20-DLL	12	43.2	2.655	270.8	2950	50.5	90	63	3.2
	20	72	2.549	260		72.8		70	3.5
	24	86.4	2.379	242.7		80.4		71	3.8
XBD3.9/25-DLL	15	54	0.431	44	2950	9.8	18.5	66	3.2
	25	90	0.392	40		13.6		72	3.5
	30	108	0.356	36.3		15.0		71	3.8
XBD4.9/25-DLL	15	54	0.539	55	2950	12.3	22	66	3.2
	25	90	0.490	50		17.0		72	3.5
	30	108	0.445	45.4		18.8		71	3.8

性能参数表

型号	流量Q		压力P MPa	扬程H m	转速n r/min	功率P		效率η %	必需汽蚀余量 (NPSH)r (m)
	L/s	m ³ /h				轴功率(kW)	电机功率(kW)		
XBD5.8/25-DLL	15	54	0.647	66	2950	14.7	30	66	3.2
	25	90	0.588	60		20.4		72	3.5
	30	108	0.534	54.5		22.6		71	3.8
XBD7.8/25-DLL	15	54	0.862	88	2950	19.6	37	66	3.2
	25	90	0.784	80		27.2		72	3.5
	30	108	0.712	72.7		30.1		71	3.8
XBD8.8/25-DLL	15	54	0.970	99	2950	22.1	37	66	3.2
	25	90	0.882	90		30.6		72	3.5
	30	108	0.801	81.8		33.9		71	3.8
XBD9.8/25-DLL	15	54	1.078	110	2950	24.5	45	66	3.2
	25	90	0.980	100		34.0		72	3.5
	30	108	0.890	90.8		37.6		71	3.8
XBD11.7/25-DLL	15	54	1.294	132	2950	29.4	55	66	3.2
	25	90	1.176	120		40.8		72	3.5
	30	108	1.068	109		45.1		71	3.8
XBD13.7/25-DLL	15	54	1.509	154	2950	34.3	55	66	3.2
	25	90	1.372	140		47.6		72	3.5
	30	108	1.246	127.2		52.7		71	3.8
XBD14.7/25-DLL	15	54	1.617	165	2950	36.8	75	66	3.2
	25	90	1.470	150		51.0		72	3.5
	30	108	1.335	136.3		56.4		71	3.8
XBD15.6/25-DLL	15	54	1.725	176	2950	39.2	75	66	3.2
	25	90	1.568	160		54.4		72	3.5
	30	108	1.424	145.3		60.2		71	3.8
XBD16.6/25-DLL	15	54	1.833	187	2950	41.7	75	66	3.2
	25	90	1.666	170		57.8		72	3.5
	30	108	1.513	154.4		63.9		71	3.8
XBD17.6/25-DLL	15	54	1.941	198	2950	44.1	75	66	3.2
	25	90	1.764	180		61.2		72	3.5
	30	108	1.602	163.5		67.7		71	3.8
XBD18.6/25-DLL	15	54	2.049	209	2950	46.6	75	66	3.2
	25	90	1.862	190		64.6		72	3.5
	30	108	1.691	172.6		71.5		71	3.8
XBD19.6/25-DLL	15	54	2.156	220	2950	49.0	90	66	3.2
	25	90	1.960	200		68.0		72	3.5
	30	108	1.781	181.7		75.2		71	3.8
XBD3.9/30-DLL	18	64.8	0.418	42.7	2950	11.6	22	65	3.2
	30	108	0.392	40		16.1		73	3.5
	35	126	0.366	37.3		17.53		73	3.8
XBD4.9/30-DLL	18	64.8	0.522	53.3	2950	14.5	30	65	3.2
	30	108	0.490	50		20.1		73	3.5
	35	126	0.457	46.7		21.95		73	3.8
XBD5.8/30-DLL	18	64.8	0.627	64	2950	17.4	30	65	3.2
	30	108	0.588	60		24.2		73	3.5
	35	126	0.549	56		26.32		73	3.8
XBD7.8/30-DLL	18	64.8	0.836	85.3	2950	23.1	37	65	3.2
	30	108	0.784	80		32.2		73	3.5
	35	126	0.732	74.7		35.06		73	3.8
XBD8.8/30-DLL	18	64.8	0.941	96	2950	26.1	45	65	3.2
	30	108	0.882	90		36.2		73	3.5
	35	126	0.823	84		39.48		73	3.8
XBD9.8/30-DLL	18	64.8	1.045	106.7	2950	29.0	45	65	3.2
	30	108	0.980	100		40.3		73	3.5
	35	126	0.915	93.3		43.82		73	3.8
XBD11.7/30-DLL	18	64.8	1.254	128	2950	34.7	55	65	3.2
	30	108	1.176	120		48.3		73	3.5
	35	126	1.098	112		52.64		73	3.8
XBD13.7/30-DLL	18	64.8	1.463	149.3	2950	40.5	75	65	3.2
	30	108	1.372	140		56.4		73	3.5
	35	126	1.281	130.7		61.43		73	3.8
XBD14.7/30-DLL	18	64.8	1.568	160	2950	43.4	75	65	3.2
	30	108	1.470	150		60.4		73	3.5
	35	126	1.372	140		65.80		73	3.8
XBD15.6/30-DLL	18	64.8	1.673	170.7	2950	46.3	75	65	3.2
	30	108	1.568	160		64.4		73	3.5
	35	126	1.464	149.3		70.17		73	3.8
XBD16.6/30-DLL	18	64.8	1.777	181.3	2950	49.2	90	65	3.2
	30	108	1.666	170		68.5		73	3.5
	35	126	1.555	158.7		74.59		73	3.8
XBD17.6/30-DLL	18	64.8	1.882	192	2950	52.1	90	65	3.2
	30	108	1.764	180		72.5		73	3.5
	35	126	1.647	168		79.97		73	3.8
XBD18.6/30-DLL	18	64.8	1.986	202.7	2950	55.0	90	65	3.2
	30	108	1.862	190		76.5		73	3.5
	35	126	1.738	177.3		83.34		73	3.8
XBD19.6/30-DLL	18	64.8	2.091	213.3	2950	57.9	90	65	3.2
	30	108	1.960	200		80.5		73	3.5
	35	126	1.830	186.7		87.75		73	3.8
XBD21.5/30-DLL	18	64.8	2.300	234.7	2950	63.7	110	65	3.2
	30	108	2.156	220		88.6		73	3.5
	35	126	2.012	205.3		96.5		73	3.8
XBD23.5/30-DLL	18	64.8	2.509	256	2950	69.5	110	65	3.2
	30	108	2.352	240		96.7		73	3.5
	35	126	2.196	224		105.3		73	3.8
XBD25.4/30-DLL	18	64.8	2.718	277.3	2950	75.3	132	65	3.2
	30	108	2.549	260		104.7		73	3.5
	35	126	2.379	242.7		114.08		73	3.8
XBD3.9/40-DLL	24	86.4	1.415	42.3	2950	14.2	30	70	3.6
	40	144	0.392	40		20.6		76	3.8
	48	172.8	0.372	38		23.5		76	4.0

性能参数表

型号	流量Q		压力P MPa	扬程H m	转速n r/min	功率P		效率η %	必需汽蚀余量(NPSH)r (m)
	L/s	m ³ /h				轴功率(kW)	电机功率(kW)		
XBD4.9/40-DLL	24	86.4	0.518	52.9	2950	17.8	30	70	3.6
	40	144	0.490	50		25.8		76	3.8
	48	172.8	0.465	47.5		29.4		76	4.0
XBD5.8/40-DLL	24	86.4	0.622	63.5	2950	21.3	37	70	3.6
	40	144	0.588	60		30.9		76	3.8
	48	172.8	0.558	57		35.3		76	4.0
XBD7.8/40-DLL	24	86.4	0.830	84.7	2950	28.5	55	70	3.6
	40	144	0.784	80		41.3		76	3.8
	48	172.8	0.745	76		47.0		76	4.0
XBD8.8/40-DLL	24	86.4	0.933	95.3	2950	32.0	55	70	3.6
	40	144	0.882	90		46.4		76	3.8
	48	172.8	0.838	85.5		52.9		76	4.0
XBD9.8/40-DLL	24	86.4	1.037	105.8	2950	35.5	75	70	3.6
	40	144	0.980	100		51.6		76	3.8
	48	172.8	0.931	95		58.8		76	4.0
XBD10.7/40-DLL	24	86.4	1.141	116.4	2950	39.1	75	70	3.6
	40	144	1.078	110		56.7		76	3.8
	48	172.8	1.024	104.5		64.7		76	4.0
XBD11.7/40-DLL	24	86.4	1.245	127	2950	42.7	75	70	3.6
	40	144	1.176	120		61.9		76	3.8
	48	172.8	1.117	114		70.6		76	4.0
XBD12.7/40-DLL	24	86.4	1.348	137.6	2950	46.2	90	70	3.6
	40	144	1.274	130		67.1		76	3.8
	48	172.8	1.210	123.5		76.4		76	4.0
XBD13.7/40-DLL	24	86.4	1.452	148.2	2950	49.8	90	70	3.6
	40	144	1.372	140		72.2		76	3.8
	48	172.8	1.303	133		82.3		76	4.0
XBD14.7/40-DLL	24	86.4	1.556	158.8	2950	53.4	90	70	3.6
	40	144	1.470	150		77.4		76	3.8
	48	172.8	1.397	142.5		88.2		76	4.0
XBD15.6/40-DLL	24	86.4	1.660	169.3	2950	56.9	110	70	3.6
	40	144	1.568	160		82.5		76	3.8
	48	172.8	1.490	152		94.1		76	4.0
XBD16.6/40-DLL	24	86.4	1.763	179.9	2950	60.4	110	70	3.6
	40	144	1.666	170		87.7		76	3.8
	48	172.8	1.583	161.5		100.0		76	4.0
XBD17.6/40-DLL	24	86.4	1.867	190.5	2950	64.0	110	70	3.6
	40	144	1.764	180		92.8		76	3.8
	48	172.8	1.676	171		105.8		76	4.0
XBD18.6/40-DLL	24	86.4	1.971	201.1	2950	67.6	132	70	3.6
	40	144	1.862	190		98.0		76	3.8
	48	172.8	1.769	180.5		111.7		76	4.0
XBD19.6/40-DLL	24	86.4	2.075	211.7	2950	71.1	132	70	3.6
	40	144	1.960	200		103.2		76	3.8
	48	172.8	1.862	190		117.6		76	4.0
XBD3.9/50-DLL	30	108	0.438	44.7	2950	19.6	30	67	3.8
	50	180	0.392	40		25.8		76	4
	60	216	0.342	34.9		27.4		75	4.5
XBD4.9/50-DLL	30	108	0.548	55.9	2950	24.5	37	67	4
	50	180	0.490	50		32.2		76	4.5
	60	216	0.427	43.6		34.2		75	3.8
XBD5.8/50-DLL	30	108	0.657	67.1	2950	29.4	45	67	4
	50	180	0.588	60		38.7		76	4.5
	60	216	0.513	52.4		41.1		75	3.8
XBD7.8/50-DLL	30	108	0.877	89.5	2950	39.3	75	67	4
	50	180	0.784	80		51.6		76	4.5
	60	216	0.684	69.8		54.7		75	3.8
XBD8.8/50-DLL	30	108	0.986	100.6	2950	44.1	75	67	4
	50	180	0.882	90		58.0		76	4.5
	60	216	0.770	78.5		61.5		75	3.8
XBD9.8/50-DLL	30	108	1.096	111.8	2950	49.1	75	67	3.8
	50	180	0.980	100		64.5		76	4
	60	216	0.855	87.3		68.4		75	4.5
XBD10.7/50-DLL	30	108	1.205	123	2950	54.0	90	67	3.8
	50	180	1.078	110		70.9		76	4
	60	216	0.941	96		75.3		75	4.5
XBD11.7/50-DLL	30	108	1.315	134.2	2950	58.9	90	67	3.8
	50	180	1.176	120		77.4		76	4
	60	216	1.026	104.7		82.1		75	4.5
XBD12.7/50-DLL	30	108	1.425	145.4	2950	63.8	110	67	3.8
	50	180	1.274	130		83.8		76	4
	60	216	1.112	113.5		89.0		75	4.5
XBD13.7/50-DLL	30	108	1.534	156.5	2950	68.7	110	67	3.8
	50	180	1.372	140		90.3		76	4
	60	216	1.197	122.2		95.8		75	4.5
XBD14.7/50-DLL	30	108	1.644	167.7	2950	73.6	110	67	3.8
	50	180	1.470	150		96.7		76	4
	60	216	1.283	130.9		102.6		75	4.5
XBD15.6/50-DLL	30	108	1.754	178.9	2950	78.5	132	67	3.8
	50	180	1.568	160		103.2		76	4
	60	216	1.368	139.6		109.4		75	4.5
XBD16.6/50-DLL	30	108	1.863	190.1	2950	83.4	132	67	3.8
	50	180	1.666	170		109.6		76	4
	60	216	1.454	148.4		116.3		75	4.5
XBD17.6/50-DLL	30	108	1.973	201.3	2950	88.3	132	67	3.8
	50	180	1.764	180		116.1		76	4
	60	216	1.540	157.1		123.2		75	4.5
XBD3.9/60-DLL	36	129.6	0.437	44.7	2950	24.3	37	65	5.0
	60	216	0.392	40		30.9		76	5.3
	72	259.2	0.352	36		33.9		75	5.7

性能参数表

型号	流量Q		压力P MPa	扬程H m	转速n r/min	功率P		效率η %	必需汽蚀余量 (NPSH)r (m)
	L/s	m ³ /h				轴功率(kW)	电机功率(kW)		
XBD4.9/60-DLL	36	129.6	0.547	55.8	2950	30.3	45	65	5.0
	60	216	0.490	50		38.7		76	5.3
	72	259.2	0.441	45		42.3		75	5.7
XBD5.8/60-DLL	36	129.6	0.656	67	2950	36.4	55	65	5.0
	60	216	0.588	60		46.4		76	5.3
	72	259.2	0.529	54		50.8		75	5.7
XBD7.8/60-DLL	36	129.6	0.875	89.3	2950	48.5	75	65	5.0
	60	216	0.784	80		61.9		76	5.3
	72	259.2	0.705	72		67.7		75	5.7
XBD8.8/60-DLL	36	129.6	0.985	100.5	2950	54.5	90	65	5.0
	60	216	0.882	90		69.6		76	5.3
	72	259.2	0.794	81		76.2		75	5.7
XBD9.8/60-DLL	36	129.6	1.094	111.7	2950	60.6	90	65	5.0
	60	216	0.980	100		77.4		76	5.3
	72	259.2	0.882	90		84.7		75	5.7
XBD10.7/60-DLL	36	129.6	1.204	122.8	2950	66.7	110	65	5.0
	60	216	1.078	110		85.1		76	5.3
	72	259.2	0.970	99		93.1		75	5.7
XBD11.7/60-DLL	36	129.6	1.313	134	2950	72.7	110	65	5.0
	60	216	1.176	120		92.8		76	5.3
	72	259.2	1.058	108		101.6		75	5.7
XBD12.7/60-DLL	36	129.6	1.423	145.2	2950	78.8	132	65	5.0
	60	216	1.274	130		100.6		76	5.3
	72	259.2	1.147	117		110.1		75	5.7
XBD13.7/60-DLL	36	129.6	1.532	156.3	2950	84.8	132	65	5.0
	60	216	1.372	140		108.3		76	5.3
	72	259.2	1.235	126		118.5		75	5.7
XBD14.7/60-DLL	36	129.6	1.642	167.5	2950	90.9	132	65	5.0
	60	216	1.470	150		116.1		76	5.3
	72	259.2	1.323	135		127.0		75	5.7
XBD15.6/60-DLL	36	129.6	1.751	178.7	2950	97.0	160	65	5.0
	60	216	1.568	160		123.8		76	5.3
	72	259.2	1.411	144		135.5		75	5.7
XBD16.6/60-DLL	36	129.6	1.861	189.8	2950	103.0	160	65	5.0
	60	216	1.666	170		131.5		76	5.3
	72	259.2	1.500	153		143.9		75	5.7
XBD17.6/60-DLL	36	129.6	1.970	201	2950	109.1	160	65	5.0
	60	216	1.764	180		139.3		76	5.3
	72	259.2	1.588	162		152.4		75	5.7
XBD22.5/30-DLL	18	64.8	2.405	245.3	2950	66.6	110	65	3.2
	30	108	2.255	230		92.7		73	3.5
	35	126	2.104	214.6		100.9		73	3.8
XBD24.5/30-DLL	18	64.8	2.614	266.7	2950	72.4	110	65	3.2
	30	108	2.451	250		100.7		73	3.5
	35	126	2.287	233.3		109.7		73	3.8
XBD20.6/40-DLL	24	86.4	2.196	224	2950	75.3	132	70	3.6
	40	144	2.059	210		108.4		76	3.8
	48	172.8	1.921	196		121.3		76	4.0
XBD21.5/40-DLL	24	86.4	2.301	234.7	2950	78.9	160	70	3.6
	40	144	2.157	220		113.5		76	3.8
	48	172.8	2.013	205.3		127.1		76	4.0
XBD22.5/40-DLL	24	86.4	2.405	245.3	2950	82.5	160	70	3.6
	40	144	2.255	230		118.7		76	3.8
	48	172.8	2.104	214.6		132.9		76	4.0
XBD23.5/40-DLL	24	86.4	2.51	256	2950	86.1	160	70	3.6
	40	144	2.353	240		123.8		76	3.8
	48	172.8	2.196	224		138.7		76	4.0
XBD17.6/50-DLL	30	108	1.882	192	2950	84.3	132	67	3.8
	50	180	1.765	180		116.1		76	4
	60	216	1.647	168		131.7		75	4.5
XBD18.6/50-DLL	30	108	1.987	202.7	2950	89	160	67	3.8
	50	180	1.863	190		122.5		76	4
	60	216	1.738	177.3		139.1		75	4.5
XBD19.6/50-DLL	30	108	2.092	213.3	2950	93.7	160	67	3.8
	50	180	1.961	200		129		76	4
	60	216	1.83	186.6		146.4		75	4.5
XBD20.6/50-DLL	30	108	2.196	224	2950	98.3	185	67	3.8
	50	180	2.059	210		135.4		76	4
	60	216	1.921	196		153.7		75	4.5
XBD21.5/50-DLL	30	108	2.301	234.7	2950	103	185	67	3.8
	50	180	2.157	220		141.9		76	4
	60	216	2.013	205.3		161		75	4.5
XBD22.5/50-DLL	30	108	2.406	245.3	2950	107.7	200	67	3.8
	50	180	2.255	230		148.3		76	4
	60	216	2.104	214.6		168.3		75	4.5
XBD23.5/50-DLL	30	108	2.51	256	2950	112.4	200	67	3.8
	50	180	2.353	240		154.8		76	4
	60	216	2.196	224		175.7		75	4.5
XBD23.5/60-DLL	36	129.6	2.571	262.2	2950	142.4	220	65	5.0
	60	216	2.352	240		185.8		76	5.3
	72	259.2	2.157	220		207.1		75	5.7

外形安装尺寸表

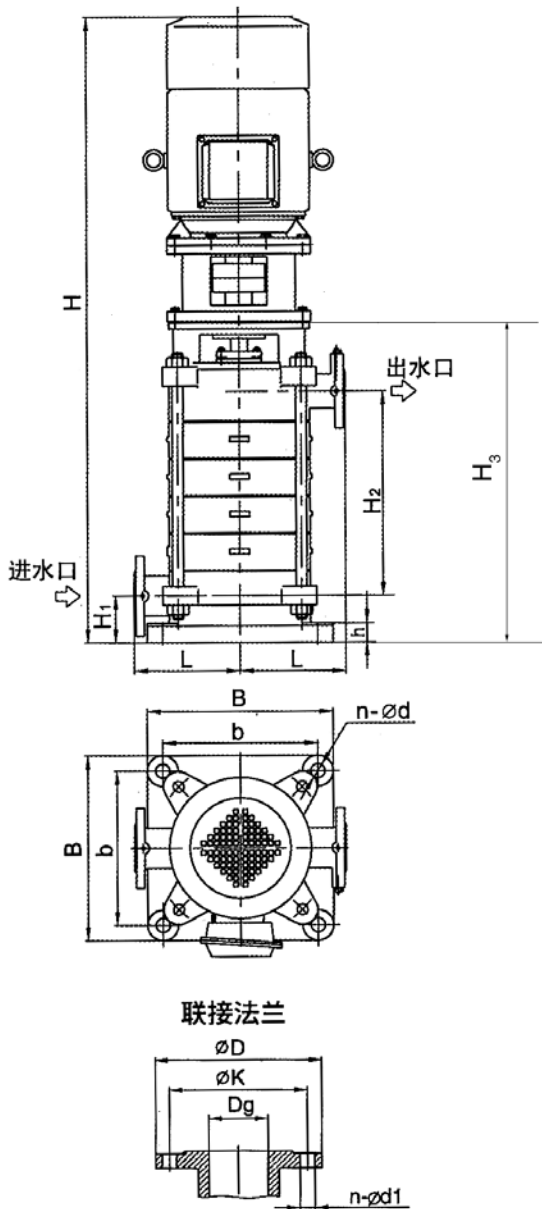
型号	入口 Dg1	出口 Dg2	H	H ₁	H ₂	H ₃	L	h	B	b	d	电机		重量 kg
												型号	功率(kW)	
XBD2.4/5-DLL	50	50	830	100	90	510	220	50	360	300	19	Y100L-2	3	160
XBD3.9/5-DLL	50	50	945	100	185	605	220	50	360	300	19	Y112M-2	4	180
XBD4.9/5-DLL	50	50	1020	100	185	605	220	50	360	300	19	Y132S ₁ -2	5.5	207
XBD5.8/5-DLL	50	50	1155	100	280	700	220	50	360	300	19	Y132S ₂ -2	7.5	222
XBD7.3/5-DLL	50	50	1155	100	280	700	220	50	360	300	19	Y132S ₂ -2	7.5	227
XBD8.8/5-DLL	50	50	1340	100	375	795	220	50	360	300	19	Y160M ₁ -2	11	292
XBD9.8/5-DLL	50	50	1340	100	375	795	220	50	360	300	19	Y160M ₁ -2	11	292
XBD10.7/5-DLL	50	50	1435	100	470	890	220	50	360	300	19	Y160M ₁ -2	11	307
XBD12.2/5-DLL	50	50	1435	100	470	890	220	50	360	300	19	Y160M ₂ -2	15	317
XBD13.2/5-DLL	50	50	1530	100	565	985	220	50	360	300	19	Y160M ₂ -2	15	332
XBD14.7/5-DLL	50	50	1530	100	565	985	220	50	360	300	19	Y160M ₂ -2	15	332
XBD17.1/5-DLL	50	50	1670	100	660	1080	220	50	360	300	19	Y160L-2	18.5	361
XBD2.9/10-DLL	65	50	1006	110	101	611	250	50	400	350	23	Y132S ₁ -2	5.5	241
XBD4.4/10-DLL	65	50	1161	110	216	726	250	50	400	350	23	Y132S ₂ -2	7.5	271
XBD5.8/10-DLL	65	50	1221	110	216	756	250	50	400	350	23	Y160M ₁ -2	11	321
XBD7.3/10-DLL	65	50	1366	110	331	871	250	50	400	350	23	Y160M ₂ -2	15	356
XBD8.8/10-DLL	65	50	1411	110	331	871	250	50	400	350	23	Y160L-2	18.5	368
XBD10.2/10-DLL	65	50	1526	110	446	986	250	50	400	350	23	Y160L-2	18.5	401
XBD11.7/10-DLL	65	50	1546	110	446	986	250	50	400	350	23	Y180M-2	22	401
XBD13.2/10-DLL	65	50	1661	110	561	1101	250	50	400	350	23	Y180M-2	22	453
XBD14.7/10-DLL	65	50	1766	110	561	1101	250	50	400	350	23	Y200L ₁ -2	30	453
XBD16.6/10-DLL	65	50	1881	110	676	1216	250	50	400	350	23	Y200L ₁ -2	30	540
XBD17.6/10-DLL	65	50	1881	110	676	1216	250	50	400	350	23	Y200L ₂ -2	37	540
XBD19.6/10-DLL	65	50	1966	110	791	1331	250	50	400	350	23	Y200L ₂ -2	37	705
XBD3.9/15-DLL	80	80	1152	120	112	657	280	50	450	400	23	Y160M ₁ -2	11	361
XBD4.9/15-DLL	80	80	1152	120	112	657	280	50	450	400	23	Y160M ₂ -2	15	375
XBD5.8/15-DLL	80	80	1152	120	112	657	280	50	450	400	23	Y160M ₂ -2	15	375
XBD7.8/15-DLL	80	80	1333	120	228	773	280	50	450	400	23	Y180M-2	22	468
XBD8.8/15-DLL	80	80	1438	120	228	773	280	50	450	400	23	Y200L ₁ -2	30	468
XBD9.8/15-DLL	80	80	1438	120	228	773	280	50	450	400	23	Y200L ₁ -2	30	518
XBD10.7/15-DLL	80	80	1438	120	228	773	280	50	450	400	23	Y200L ₁ -2	30	518
XBD11.7/15-DLL	80	80	1438	120	228	773	280	50	450	400	23	Y200L ₁ -2	30	580
XBD12.7/15-DLL	80	80	1554	120	344	889	280	50	450	400	23	Y200L ₂ -2	37	596
XBD13.7/15-DLL	80	80	1554	120	344	889	280	50	450	400	23	Y200L ₂ -2	37	596
XBD14.7/15-DLL	80	80	1554	120	344	889	280	50	450	400	23	Y200L ₂ -2	37	596
XBD15.6/15-DLL	80	80	1594	120	344	889	280	50	450	400	23	Y225M-2	45	662
XBD16.6/15-DLL	80	80	1710	120	460	889	280	50	450	400	23	Y225M-2	45	734
XBD17.6/15-DLL	80	80	1710	120	460	889	280	50	450	400	23	Y225M-2	45	734
XBD18.6/15-DLL	80	80	1740	120	460	1035	280	50	450	400	23	Y250M-2	55	812
XBD19.6/15-DLL	80	80	1740	120	460	1035	280	50	450	400	23	Y250M-2	55	812
XBD3.9/20-DLL	100	80	1170	130	120	675	300	60	470	410	23	Y160M ₂ -2	15	412
XBD4.9/20-DLL	100	80	1215	130	120	675	300	60	470	410	23	Y160L-2	18.5	412
XBD5.8/20-DLL	100	80	1235	130	120	675	300	60	470	410	23	Y180M-2	22	445
XBD7.8/20-DLL	100	80	1480	130	260	815	300	60	470	410	23	Y200L ₁ -2	30	515
XBD8.8/20-DLL	100	80	1480	130	260	815	300	60	470	410	23	Y200L ₁ -2	30	550
XBD9.8/20-DLL	100	80	1480	130	260	815	300	60	470	410	23	Y200L ₂ -2	37	610
XBD11.7/20-DLL	100	80	1605	130	260	815	300	60	470	410	23	Y225M-2	45	645
XBD13.7/20-DLL	100	80	1775	130	400	985	300	60	470	410	23	Y250M-2	55	780
XBD14.7/20-DLL	100	80	1775	130	400	985	300	60	470	410	23	Y250M-2	55	785
XBD15.6/20-DLL	100	80	1775	130	400	985	300	60	470	410	23	Y250M-2	55	795
XBD16.6/20-DLL	100	80	1775	130	400	985	300	60	470	410	23	Y250M-2	55	805
XBD17.6/20-DLL	100	80	1895	130	400	985	300	60	470	410	23	Y280S-2	75	905
XBD18.6/20-DLL	100	80	1985	130	540	1125	300	60	470	410	23	Y280S-2	75	910
XBD19.6/20-DLL	100	80	1985	130	540	1125	300	60	470	410	23	Y280S-2	75	935
XBD21.5/20-DLL	100	80	1985	130	540	1125	300	60	470	410	23	Y280S-2	75	935
XBD23.5/20-DLL	100	80	1985	130	540	1125	300	60	470	410	23	Y280S-2	75	980
XBD24.5/20-DLL	100	80	2175	130	680	1265	300	60	470	410	23	Y280M-2	90	1285
XBD25.4/20-DLL	100	80	2175	130	680	1265	300	60	470	410	23	Y280M-2	90	1285
XBD3.9/25-DLL	100	80	1215	130	120	675	300	60	470	410	23	Y160L-2	18.5	299
XBD4.9/25-DLL	100	80	1275	130	120	675	300	60	470	410	23	Y180M-2	22	361
XBD5.8/25-DLL	100	80	1340	130	120	675	300	60	470	410	23	Y200L ₁ -2	30	421
XBD7.8/25-DLL	100	80	1480	130	260	815	300	60	470	410	23	Y200L ₂ -2	37	468
XBD8.8/25-DLL	100	80	1480	130	260	815	300	60	470	410	23	Y200L ₂ -2	37	518
XBD9.8/25-DLL	100	80	1520	130	260	815	300	60	470	410	23	Y225M-2	45	580
XBD11.7/25-DLL	100	80	1635	130	260	845	300	60	470	410	23	Y250M-2	55	580
XBD13.7/25-DLL	100	80	1815	130	400	985	300	60	470	410	23	Y250M-2	55	646

外形安装尺寸表

型号	入口 Dg1	出口 Dg2	H	H ₁	H ₂	H ₃	L	h	B	b	d	电机		重量 kg
												型号	功率(kW)	
XBD14.7/25-DLL	100	80	1845	130	400	985	300	60	470	410	23	Y280S-2	75	646
XBD15.6/25-DLL	100	80	1845	130	400	985	300	60	470	410	23	Y280S-2	75	712
XBD16.6/25-DLL	100	80	1845	130	400	985	300	60	470	410	23	Y280S-2	75	762
XBD17.6/25-DLL	100	80	1845	130	400	985	300	60	470	410	23	Y280S-2	75	762
XBD18.6/25-DLL	100	80	1985	130	540	1125	300	60	470	410	23	Y280S-2	75	762
XBD19.6/25-DLL	100	80	2035	130	540	1125	300	60	470	410	23	Y280M-2	90	840
XBD3.9/30-DLL	100	80	1235	130	120	675	300	60	470	410	23	Y180M-2	22	450
XBD4.9/30-DLL	100	80	1340	130	120	675	300	60	470	410	23	Y200L ₁ -2	30	520
XBD5.8/30-DLL	100	80	1340	130	120	675	300	60	470	410	23	Y200L ₁ -2	30	520
XBD7.8/30-DLL	100	80	1520	130	260	815	300	60	470	410	23	Y200L ₂ -2	37	600
XBD8.8/30-DLL	100	80	1560	130	260	815	300	60	470	410	23	Y225M-2	45	615
XBD9.8/30-DLL	100	80	1590	130	260	845	300	60	470	410	23	Y225M-2	45	630
XBD11.7/30-DLL	100	80	1635	130	260	845	300	60	470	410	23	Y250M-2	55	750
XBD13.7/30-DLL	100	80	1845	130	400	985	300	60	470	410	23	Y280S-2	75	905
XBD14.7/30-DLL	100	80	1845	130	400	985	300	60	470	410	23	Y280S-2	75	905
XBD15.6/30-DLL	100	80	1845	130	400	985	300	60	470	410	23	Y280S-2	75	905
XBD16.6/30-DLL	100	80	1895	130	400	985	300	60	470	410	23	Y280M-2	90	905
XBD17.6/30-DLL	100	80	1895	130	400	980	300	60	470	410	23	Y280M-2	90	980
XBD18.6/30-DLL	100	80	2035	130	540	1125	300	60	470	410	23	Y280M-2	90	980
XBD19.6/30-DLL	100	80	2035	130	540	1125	300	60	470	410	23	Y280M-2	90	980
XBD21.5/30-DLL	100	80	2225	130	540	1125	300	60	470	410	23	Y315S-2	110	1280
XBD23.5/30-DLL	100	80	2225	130	540	1125	300	60	470	410	23	Y315S-2	110	1280
XBD25.4/30-DLL	100	80	2435	130	680	1265	300	60	470	410	23	Y315M ₁ -2	132	1395
XBD3.9/40-DLL	150	125	1412	150	170	747	300	60	470	410	23	Y200L ₁ -2	30	550
XBD4.9/40-DLL	150	125	1412	150	170	747	300	60	470	410	23	Y200L ₁ -2	30	550
XBD5.8/40-DLL	150	125	1412	150	170	747	300	60	470	410	23	Y200L ₂ -2	37	565
XBD7.8/40-DLL	150	125	1720	150	330	937	300	60	470	410	23	Y250M-2	55	669
XBD8.8/40-DLL	150	125	1720	150	330	937	300	60	470	410	23	Y250M-2	55	763
XBD9.8/40-DLL	150	125	1797	150	330	937	300	60	470	410	23	Y280S-2	75	904
XBD10.7/40-DLL	150	125	1797	150	330	937	300	60	470	410	23	Y280S-2	75	904
XBD11.7/40-DLL	150	125	1797	150	330	937	300	60	470	410	23	Y280S-2	75	904
XBD12.7/40-DLL	150	125	2007	150	490	1097	300	60	470	410	23	Y280M-2	90	1030
XBD13.7/40-DLL	150	125	2007	150	490	1097	300	60	470	410	23	Y280M-2	90	1030
XBD14.7/40-DLL	150	125	2007	150	490	1097	300	60	470	410	23	Y280M-2	90	1030
XBD15.6/40-DLL	150	125	2197	150	490	1097	300	60	470	410	23	Y315S-2	110	1305
XBD16.6/40-DLL	150	125	2197	150	490	1097	300	60	470	410	23	Y315S-2	110	1305
XBD17.6/40-DLL	150	125	2197	150	490	1097	300	60	470	410	23	Y315S-2	110	1305
XBD18.6/40-DLL	150	125	2427	150	650	1257	300	60	470	410	23	Y315M-2	132	1470
XBD19.6/40-DLL	150	125	2427	150	650	1257	300	60	470	410	23	Y315M-2	132	1470
XBD3.9/50-DLL	150	125	1412	150	168	747	300	60	470	410	23	Y200L ₁ -2	30	550
XBD4.9/50-DLL	150	125	1412	150	168	747	300	60	470	410	23	Y200L ₂ -2	37	560
XBD5.8/50-DLL	150	125	1452	150	168	747	300	60	470	410	23	Y225M-2	45	669
XBD7.8/50-DLL	150	125	1797	150	328	937	300	60	470	410	23	Y280S-2	75	904
XBD8.8/50-DLL	150	125	1797	150	328	937	300	60	470	410	23	Y280S-2	75	904
XBD9.8/50-DLL	150	125	1797	150	328	937	300	60	470	410	23	Y280S-2	75	904
XBD10.7/50-DLL	150	125	1847	150	328	937	300	60	470	410	23	Y280M-2	90	1030
XBD11.7/50-DLL	150	125	1847	150	328	937	300	60	470	410	23	Y280M-2	90	1030
XBD12.7/50-DLL	150	125	2197	150	488	1097	300	60	470	410	23	Y315S-2	110	1390
XBD13.7/50-DLL	150	125	2197	150	488	1097	300	60	470	410	23	Y315S-2	110	1390
XBD14.7/50-DLL	150	125	2197	150	488	1097	300	60	470	410	23	Y315S-2	110	1390
XBD15.6/50-DLL	150	125	2267	150	488	1097	300	60	470	410	23	Y315M-2	132	1515
XBD16.6/50-DLL	150	125	2267	150	488	1097	300	60	470	410	23	Y315M-2	132	1515
XBD17.6/50-DLL	150	125	2267	150	488	1097	300	60	470	410	23	Y315M-2	132	1515
XBD18.6/50-DLL	150	125	2477	150	648	1257	300	60	470	410	23	Y315L ₁ -2	160	1765
XBD19.6/50-DLL	150	125	2477	150	648	1257	300	60	470	410	23	Y315L ₁ -2	160	1765
XBD3.9/60-DLL	150	125	1412	150	170	747	300	60	470	410	23	Y200L ₂ -2	37	650
XBD5.8/60-DLL	150	125	1567	150	170	777	300	60	470	410	23	Y250M-2	55	906
XBD7.8/60-DLL	150	125	1797	150	330	937	300	60	470	410	23	Y280S-2	75	924
XBD8.8/60-DLL	150	125	1847	150	330	937	300	60	470	410	23	Y280M-2	90	924
XBD9.8/60-DLL	150	125	1847	150	330	937	300	60	470	410	23	Y280M-2	90	1130
XBD10.7/60-DLL	150	125	2037	150	330	937	300	60	470	410	23	Y315S-2	110	1130
XBD11.7/60-DLL	150	125	2037	150	330	937	300	60	470	410	23	Y315S-2	110	1390
XBD12.7/60-DLL	150	125	2267	150	490	1097	300	60	470	410	23	Y315M-2	132	1445
XBD13.7/60-DLL	150	125	2267	150	490	1097	300	60	470	410	23	Y315M-2	132	1445
XBD14.7/60-DLL	150	125	2267	150	490	1097	300	60	470	410	23	Y315M-2	132	1445
XBD15.7/60-DLL	150	125	2317	150	490	1097	300	60	470	410	23	Y315L ₁ -2	160	1505

型号	入口 Dg1	出口 Dg2	H	H ₁	H ₂	H ₃	L	h	B	b	d	电机		重量 kg
												型号	功率(kW)	
XBD16.7/60-DLL	150	125	2317	150	490	1097	300	60	470	410	23	Y315L ₁ -2	160	1505
XBD17.7/60-DLL	150	125	2317	150	490	1097	300	60	470	410	23	Y315L ₁ -2	160	1505
XBD22.5/30-DLL	100	80	2225	130	540	1125	300	60	470	410	23	Y315S-2	110	1280
XBD24.5/30-DLL	100	80	2435	130	680	1265	300	60	470	410	23	Y315S-2	110	1395
XBD20.6/40-DLL	150	125	2477	150	650	1257	300	60	470	410	23	Y315M-2	132	1470
XBD21.5/40-DLL	150	125	2477	150	650	1257	300	60	470	410	23	Y315L ₁ -2	160	1470
XBD22.5/40-DLL	150	125	2477	150	650	1257	300	60	470	410	23	Y315L ₁ -2	160	1470
XBD23.5/40-DLL	150	125	2477	150	650	1257	300	60	470	410	23	Y315L ₁ -2	160	1470
XBD20.6/50-DLL	150	125	2477	150	648	1257	300	60	470	410	23	Y315L ₂ -2	185	1765
XBD21.5/50-DLL	150	125	2477	150	648	1257	300	60	470	410	23	Y315L ₂ -2	185	1765
XBD22.5/50-DLL	150	125	2477	150	648	1257	300	60	470	410	23	Y315L ₂ -2	200	1765
XBD23.5/50-DLL	150	125	2477	150	648	1257	300	60	470	410	23	Y315L ₂ -2	200	1765
XBD23.5/60-DLL	150	125	2757	150	650	1262	300	60	470	410	23	Y315M-2	220	

外形安装尺寸图



联接法兰尺寸

Dg	40	50	65	80	100	125	150
D	150	160	180	200	220	270	280
K	100	125	145	160	180	220	240
n-d ₁	4-17.5	4-17.5	4-17.5	8-17.5	8-17.5	8-28	8-22

水泵的轴承

泵口径	轴承型号	名称及规格	数量
50	307 60307	单列向心球轴承	各1
65	309 60309	单列向心球轴承	各1
80	309 60309	单列向心球轴承	各1
100	309 60309	单列向心球轴承	各1
150	309 60309	单列向心球轴承	各1

泵的装配和拆卸

部件组装

将铜轴承装入导叶上。
将密封环装到中段上。
将导叶装到所有的中段上去。
将机械密封装入出水段，并装上机械密封压盖，装好回水管部件。
在轴承座上装上滚动轴承并装到轴上，用螺母紧固。

总装

将轴穿入出水段，并将键放在轴键槽内，顺着泵轴装上叶轮和叶轮挡套。

将已装好的导叶的中段装上，再装上第二级键，叶轮和叶轮挡套重复以上的所有步骤，直至所有键，叶轮，叶轮挡套和中段装完。

用拉紧螺栓将进水段、中段、出水段紧固在一起。

装入挡水套，将轴承盒装在出水段上，并用螺栓紧固。

往轴承盒内注入适量黄油，并将纸垫套在轴承盖上，用螺栓紧固。再装上泵联轴器。并用手盘动转子，检查转子是否灵活。

将电机装配在出水段上，用螺栓紧固，并在电机座上安装好电机。

在泵上装好回水部件，如轴封为机械封，还应装上机械密封泄水用的泄流软管。

装上联轴器柱销和填料。装上放气阀，黄油杯和所有四方螺塞。泵的拆卸按上述相反步骤进行。

泵的安装

安装前检查水泵和电机的完好情况。安装刻高度=10.09-(NPSH)r-0.5-hw，hw为吸入管路水阻。

检查泵基础，并准备好起重工具，泵房应通风良好，避免太阳照射及雨淋。

将泵安放在基础上垫高30-40mm，准备填充水泥浆之用。

进行找正，并穿好脚螺栓。充填水泥砂浆。地脚螺栓长度约250-350mm即可。

经3-5天水泥干固，重新找正，并紧固地脚螺栓。

预试底阀严密性，安装进水管及阀门。

泵出口处装上压力表，以便观察和控制泵运行情况。

泵起动、运转、停止和维修保养

打开出口法兰处的放气阀，往泵内灌注水，或用真空泵引水。

将泵周围清洁干净。

在轴承盒内加入钙基黄油，用手盘动转子应灵活无卡研现象。

试开电机，检查电机转向是否与泵相符，从电机往泵的方向看为顺时针旋转。

关闭吐出管上的闸阀及压力表旋塞。

上述工作完毕后，启动电机，打开压力表旋塞。

当泵以正常转速运转后，压力计显示出压力时，打开真空表旋塞并逐渐打开出口闸阀，直到所需压力为止。

在运行中，泵的轴承温度不得超过外界温度35℃，其极限温度不得超过75℃。每运行500小时用高压油枪往轴承中注入黄油。

定期检查联轴器，注意轴承的温升。

关闭水泵，应先关闭出口管道路上的闸阀，关闭真空表旋塞，并停止电机，然后关闭压力表旋塞。

泵在运转中出现不正常噪音时立即停机检查其原因。

在冬季冷冻季节，如短期停用水泵时，应拧开进水段上的四方螺塞。将存水放掉，避免冻裂水泵。

水泵经过长期使用后性能有显著下降时，应拆开水泵检查，更换易损部件。

水泵如果长期不用，应将水泵拆卸开，将零件擦干，除去锈垢后，涂上防锈油脂，妥善保存。

易损件

上轴承、下轴套、叶轮、叶轮密封环、上下铜轴承为易损零件。

检修时应按磨损程度进行更换。

故障原因和解决方法

运行和维修时应注意电机和水泵的故障的征象，下表列出了常见的部分故障和解决方法。遇到下列情况应立即处理，以免造成停工和更大的损失。

故障	可能的原因	排除方法
泵不出水，压力表及真空表指针剧烈跳动。	注入泵的水不够；进水管漏气。	检查底阀是否漏水；再往泵内注水；堵塞漏气处。
泵不吸水，但真空表显示高度真空。	底阀没打开或堵塞；吸水管阻力太大，吸水高度太高。	校平或更换底阀，清洗或更换吸水管，降低吸水高度。
泵不出水，压力表显示有压力。	泵轴旋转方向不对；出水管阻力太大；叶轮淤塞；转数不够。	改正转向；检查水管长度；清洗叶轮；增加转数。
泵流量减少或扬程下降。	叶轮或管路阻塞；密封环或叶轮磨损严重；转数低于规定值。	清洗叶轮或管路；更换损坏的零件；调整到规定的转数。
泵消耗的功率过大。	填料压得太紧引至发热；叶轮与密封环磨损；流量过大。	调整填料压盖；消除机械摩擦，关小出水闸阀。
泵内声音反常，吸不上水。	吸水高度过高，发生汽蚀；吸水管漏气，流量过大。	减少吸水高度，堵塞漏水处，调节出水闸阀在规定工况使用。
泵振动厉害。	泵发生汽蚀，叶轮不平衡，泵与电机不同心，地脚螺栓松动。	消除汽蚀，叶轮校平衡，校泵与电机的同轴度，拧紧地脚螺栓。
轴承过热。	润滑油不足或过多或变质，泵与电机轴不同心。	检查油量，清洗轴承并换油，校泵轴与电机的同轴度。

保证事项

在用户选用产品恰当和遵守本安装使用说明书有关使用要求的条件下，从本厂发货日起12个月内，经分析产品确因制造质量不良而发生损坏和不能正常工作时，本厂负责免费更换或修理。

易损件的正常磨损不在此限。



全国统一服务热线 400 604 3398

地 址：广州市海珠区科韵南路133号
生产中心地址：佛山市南海区红岭路2号之一
销售部电话：(020) 66834613 66834616 66834618
技术咨询：(0757) 81093982
维修部电话：(020) 66834630 66834631
服务投诉：(020) 66834612

传 真：(020) 66834619 66834629
E - mail: sales@gygcn.com
网 址 URL: www.gypump.com

说明书内容如有改动，恕不另行通知
All specifications subject to change without notice

A-XBD-DLL20150301