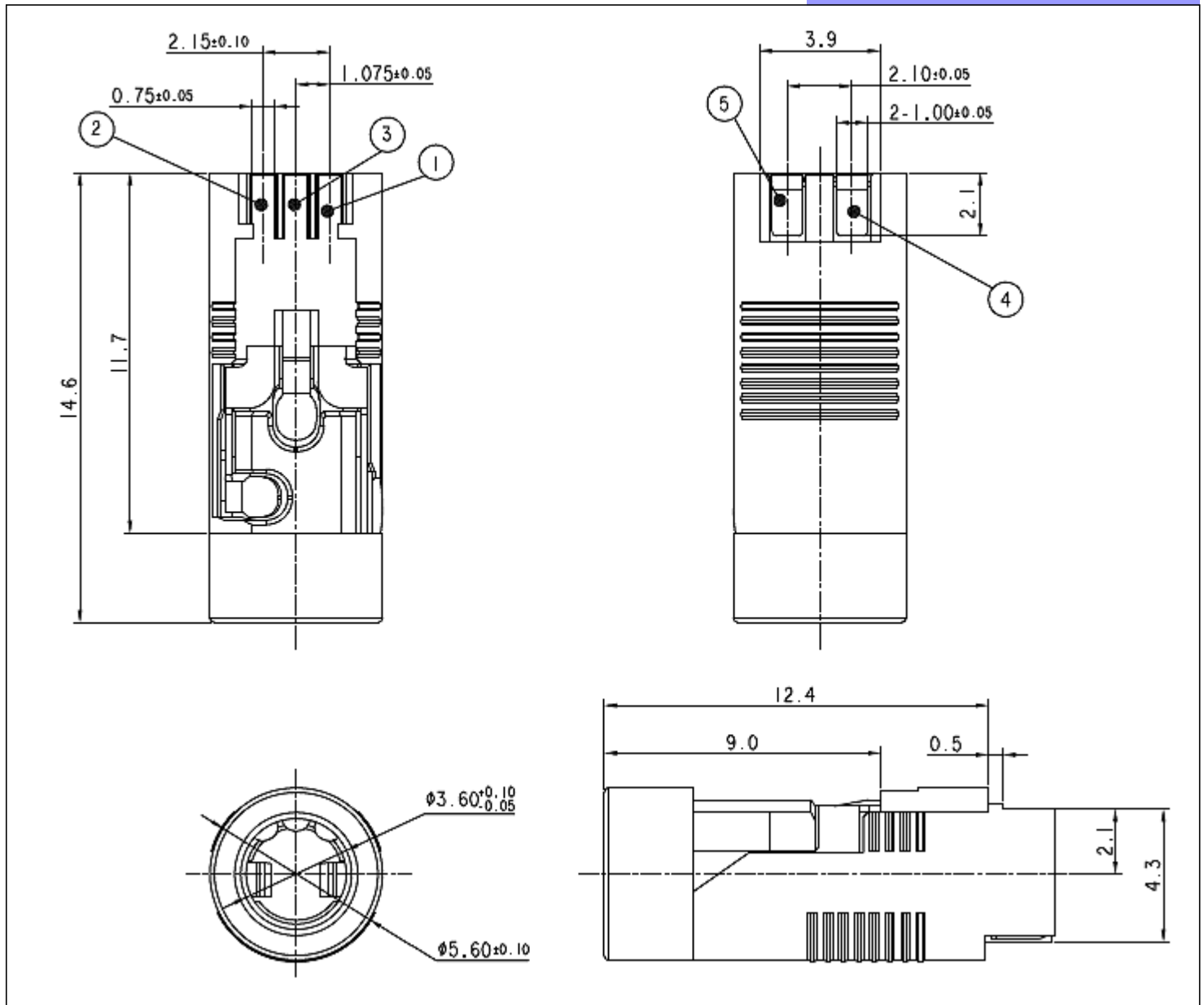


Operation: Push-Pull



LTEM NO.:PJ-340I
(3.5/4POLE PHONE-JACK)

Unit:mm



Technical parameter

PROJECT		LEVEL	A[better product]	B[average product]	C[low product]
Electrical Properties	Initial Contact Resistance		30mΩ max.	30mΩ max.	no data!
	Contact Resistance		100mΩ min.100V DC Skey/PD: 50mΩ min.100V DC		
	Withstand Voltage		500V AC for 1min	400 V AC for 1min	
Durable Performance	There No Load		6,000 Cycles	5,000 Cycles	no data!
	Rated Load		5,000 Cycles 50mΩ max.	4,000 Cycles 30mΩ max.	no data!
Insertion Force			4.0Kgf MAX (Springback:)		

表面貼裝 SMT

側向導入 LATERAL

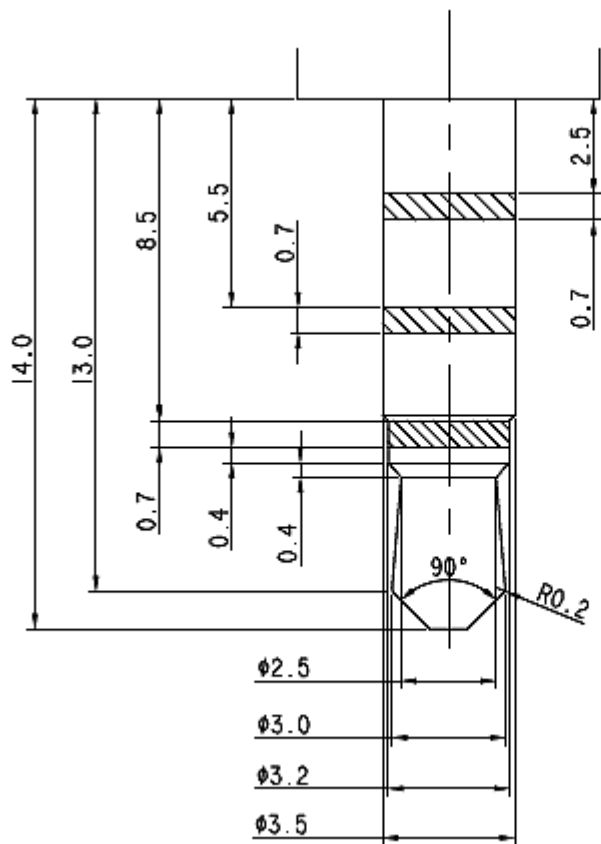
精密部品 NICETY

可靠 STABILIZE

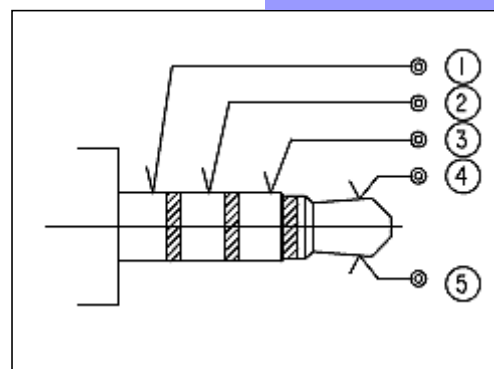
適合環保 RoHS

4 POLE PLUG

(Vertical view)



Circuit Diagram



PIN Assignment

Material declaration

No.	NAME	Material	Description
①	Contact 1	Copper Alloy	Gold Flash on Contact Area. Tin Plated on Solder Tails. Nickel Under Plated Overall.
②	Contact 2	Copper Alloy	
③	Contact 3	Copper Alloy	
④	Contact 4	Copper Alloy	
⑤	Contact 5	Copper Alloy	
⑥	Housing	Thermoplastics	Black,UL94V-0
⑦	Sleeve	Copper Alloy	Nickel Plated

本品不屬於危害性廢棄物,須丟棄時可以委託回收商予以回收再生處理。Products do not belong to hazardous waste,When waste can recycling processing

運送時本產品不要直接與水、酸鹼性化學物質接觸,或放置於含有以上氣體環境中,並且需要注意會有滑落、側翻的危險發生;運輸過程中不能有碰撞或者擠壓,須保證溫度與濕度適中[常溫 25°C,濕度在 50°C 以內],不可導致材料變形或氧化。

注記 NOTICE

1. 碩方電子公司擁有最終解釋權; The company reserves the right of final interpretation;
2. 文件禁止外洩、轉載; Leaked and reproduced prohibited;
3. 未經授權修改無效。Modify is invalid.