

# RS-500

*Four-axis dual-platform visual  
sub-board machine*

四轴双工作平台视觉分板机



# RS-500

## Four-axis dual-platform visual sub-board machine

### 四轴双工作平台视觉分板机

➤ 为客户提供了一个高性能、高安全性、高稳定性的工业设备平台（高精密集运动控制卡、进口马达、精密滑轨）。四轴运动控制为基础，配置高速高清CCD视觉对位与补正，利用双工位平台一进一出的方式更换加工物件，大幅减少工作时间浪费，产能最大化。

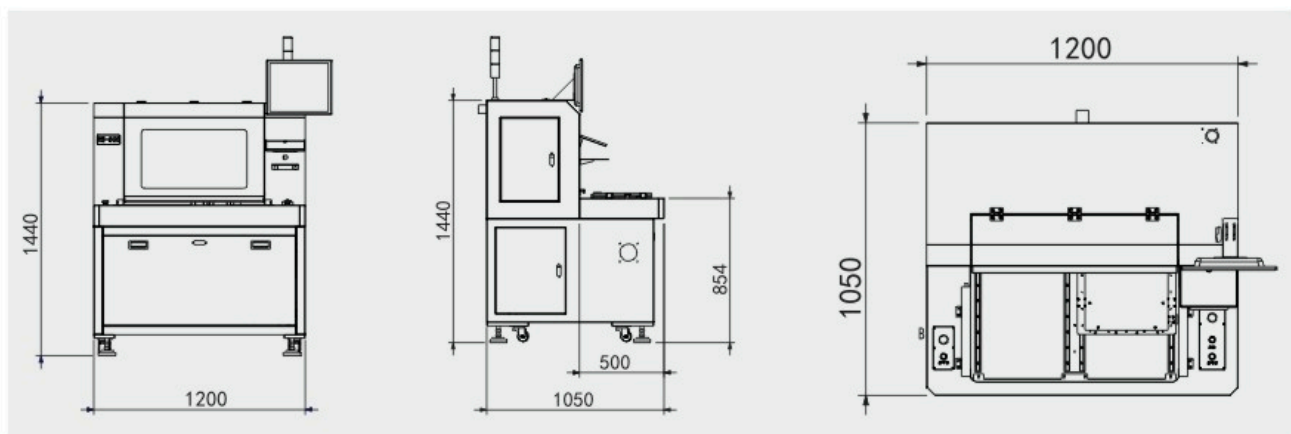
进口主轴，转速20000r~40000r，4方变频器，使加工切割点更光滑，效率更高

➤ 进口滑轨，更经久耐用，保证加工精度 性价比高。人性化的运动结构配合快捷的编程简易换线时间 提供单步、多点模拟、单点加工、整体加工、循环自动加工多种加工模式

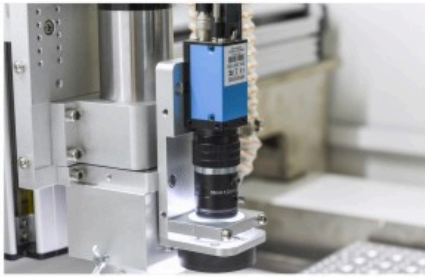
➤ To provide customers with a high-performance, high security, high stability of the industrial equipment platform (high-precision integrated motion control card, import motor, precision rail). Four-axis motion control based on the configuration of high-speed high-definition CCD visual alignment and correction, the use of dual-bit platform into a way to replace the processing of objects, a significant reduction in working time waste, maximum capacity.

➤ Import spindle, speed 20000r ~ 40000r, 4-way inverter, so that the processing point is more smooth, more efficient

➤ Imported slides, more durable, to ensure high precision processing cost. User-friendly sports structure with fast programming easy to change the line time to provide single-step, multi-point simulation, single point processing, the overall processing, automatic processing of a variety of processing mode



## 特点



### 精湛的视觉系统

Superb visual system

由德国Imaging工业相机和日本Moritex镜头组成，高像素视觉，自动MRAK补偿提高编辑与切割精度  
A precise machine visual system which consists of German imaging industrial camera, Japan Moritex lens, High pixel vision, automatic MRAK compensation improves editing and cutting accuracy



### 防静电上吸尘装置

Anti-static upper dust collector

防静电毛刷式吸尘装置，具有完美吸尘效果  
The utility model relates to an antistatic brush type upper dust collecting device, which has perfect dust absorbing effect

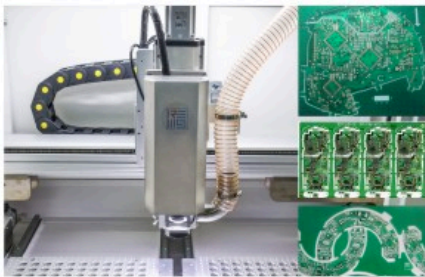


### 双工作平台伺服加丝杆驱动

Dual working platform servo plus screw drive

高效稳定、精准四轴系统，运输双工作平台采用松下伺服加丝杆，保证设备精度更高，速度更快，分板应力更小、稳定性、耐用性更佳

Efficient and stable, accurate four-axis system, transport dual work platform using Panasonic servo ten screw, To ensure that the equipment more accurate, faster, sub-plate stress smaller, stability, durability better



### 一体式切割系统

Integrated cutting system

采用四轴联动高速主轴切割PCBA板。适应各种切割形状电路板，如：圆 直线 曲线 L型 U型 方型 弧形 异形等

Using four-axis high-speed spindle cutting PCBA board. Adapt to a variety of cutting shape circuit board, such as: round line curve L-shaped U-shaped arc shaped



### 工业4.0-MES系统

Barcode / two-dimensional code scanning

- 1、服务器数据自动调取
- 2、上传机台数据及生产数据
- 3、实时监测设备状况

1. The server data is automatically retrieved
2. Upload machine data and production data
3. Real-time monitoring of equipment status

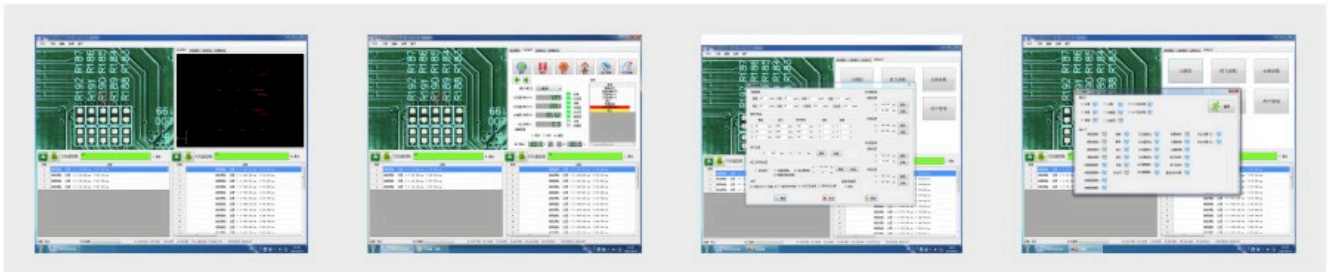


### 条码/二维码扫描

Barcode / two-dimensional code scanning

标配条码扫描，可实现分板后即时上传单板条码信息

Standard bar code scanning, can be achieved immediately after the board upload board bar code information



### 方便的操作系统

User Friendly operation system

采用Windows7中英文版操作界面，操作简单，维修方便

Full proprietary rights of the Windows7 Chinese & English oprating system, simple operation, easy maintenance

## 规格参数

项目	RS500	RS500L
有效切割尺寸	300*350mm(上吸尘X350*Y400MM)	400*600mm
切割技能	直線、圓型及圓弧補間	
加工台面	雙臺面	
机台重复精度	±0.01mm	
切割精度	±0.03mm	
最高移动速度	X/Y 轴1000mm/s、Z 轴 500mm/s	
最大移动行程	X:750 Y:500 Z:100	X:800 Y:450 Z:70mm
主轴转速	RASEM 40000-60000rpm 可調	
切割速度	0~100mm/s 可調	
操作界面	視窗操作界面	
程式教导方式	彩色CCD影像直覺式教導輸入	
程式备份	USB介面	
控制方式	PC BASE 精密四軸控制系統	
X,Y,Z轴驱动方式	AC 伺服馬達	
适用铣刀尺寸	Ø0.8~3.0mm	
电源规格	AC220V,50/60HZ	
主机功率	2000W	
切割主机尺寸	1200(W)X1050(D)X1440(H)mm	1480(W)x1490(D)x1570(H)mm
切割主机重量	700kg	800kg
集尘机尺寸	600(W)x470(D)x730(H)mm 上集塵/800(W)x650(D)x1790(H)mm下集塵	
集尘机电源规格	AC220V/380V 50/60HZ 三相 Three phase	
集尘机功率	2200W	
集尘机重量	50kg/120kg	
集尘方式	上吸塵/下吸塵	

### 瑞盛（东莞）自控技术有限公司

地址：东莞市寮步镇松山湖大道刘屋巷工业区

Tel: 0769-83078837 / 82223345

Fax: 0769-82223345

E-mail: rasem@rasem.com.cn

Web: www.rasem.com.cn

### Resem (Dongguan) Automation Technology Co., Ltd

Add: LiuHu Lane Industrial Zone, Songshan Lake Road,

Liaobu Town, Dongguan City

Tel: 0769-83078837 / 82223345

Fax: 0769-82223345

E-mail: rasem@rasem.com.cn

Web: www.rasem.com.cn

规格如有变更，恕不另行通知 Specifications are subject to change without notice  
特殊规格，欢迎另行定做 Special specifications, welcome to be customized



扫描官网, 了解更多

代理商 Agent:

