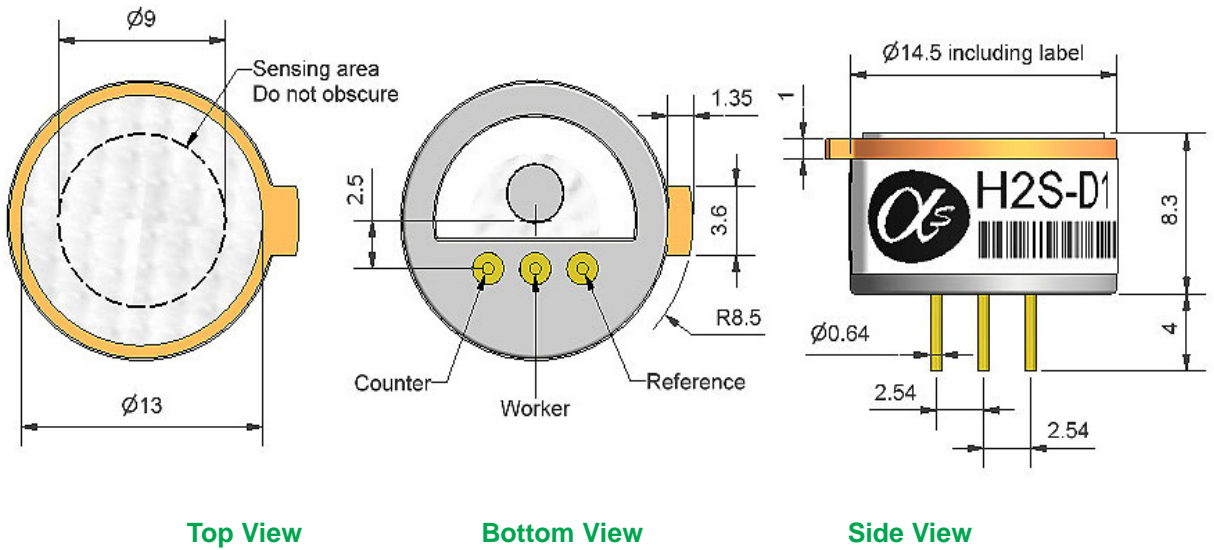


H2S-D1 Hydrogen Sulfide Sensor Miniature Size



PATENTED and
PATENT PENDING

Figure 1 H2S-D1 Schematic Diagram



For full specification, see H2S-D4 Hydrogen Sulfide Sensor



At the end of the product's life, do not dispose of any electronic sensor, component or instrument in the domestic waste, but contact the instrument manufacturer, Alphasense or its distributor for disposal instructions.