



三叶罗茨鼓风机

THREE(3)LOBE
ROTARY BLOWER



济南恒通粉体工程有限公司

Jinan Hengtong Powder Engineering Co.,Ltd.

客户为本

以质为先

精益求精



专业专注

质量目标

过程控制
产品合格
客户满意

企业精神

树立品牌
持续改进
创造发展

企业战略

行业领先
技术进步
设备更新

人文愿景

人 价 碧
文 值 水
精 体 蓝
神 现 天

服务理念

服 服 服
务 务 务
管 竞 营
理 争 销

全
心
服
务



Jinan Hengtong Professional Team
济南恒通 为客户着想的团队

企业简介 Introduction of the Company

济南恒通粉体工程有限公司是中国粉体处理和气力输送系统专业技术公司，罗茨鼓风机生产专业企业。公司具有国内一流的研发中心，依托国际国内知名高校、科研院所先进的气力输送工程技术，气力输送设备设计制造技术，研制开发高压密相和中低压稀相气力输送系统，从事气固两相流理论研究和应用。在粉体工程、气力输送、科研开发和工程承接方面处于国际领先水平。公司以"团结、务实、进取、创新"的企业精神积极开拓市场，同时凭借优良品质，专业的技术服务得到了国内外多家知名企业的肯定和认可。

公司坚持技术进步于科技创新，以人为本，重视技术集成，以保证公司在新品开发、生产技术装备等方面达到行业领先水平，同时，我们的专业研发队伍根据用户需求，设计和开发各种非标系统产品，以适应新的行业发展和需求。承接石化、电力、医药、食品、建材、港口、矿业等多行业多领域的气力输送工程和散料处理系统。以"清洁、高效、节能、环保"为宗旨，为用户提供优质、可靠的粉粒体输送及处理系统，满足客户的特殊要求。

本公司可根据客户的需求，为客户提供：项目的可行性分析、项目论证、单机选型、设备性能测试、料性测定、设备安装调试、人员培训，为用户提供气源、供料设备、分离除尘设备、电控及PLC+PC控制等全套气力输送系统交钥匙工程。

Jinan Hengtong Powder Engineering Co.,Ltd.is occupational technic company of powder handing and pneumatic conveying system of China.The company has the first-class research and development design center,Relying on the high quality machining of engineering technology of the known high school and academe, the company develops dense phase and middle-low dilute phase pneumatic conveying system, engages the theory study and application of gas-solid double phase.In the powder engineering,pneumatic conveying.sciences develop and engineering continue, the company locate the lead level in domestic.We hold our company spirit"union,pragmatic, improvement,creation"to open new market.At the same time,our professional technology service have win many domestic and foreign famouscompany'sappreciation.

Our company insists technology improvement and scientific processing craft, take human as the fundamental, and regard technique integration, We have already been on the position of leading at new product explotation and producing technology among the same field.Our professional researching team design and exploit all kind of non-standard system product according to custom'requirement to adapt industry's new developing tendency and requirement.Undertake petrochemical, powder, pharmaceutical, food,building matericals, mining industry, and prot in the fields of pneumatic conveying enging and material processing system.Taking the cleanliness.high efficiency,saving energy and environment protection as the tenet, the company carry on pneumatic conveying engineering and material handing system, which procide the high quality and steadily conveying and handing system of the powder and granule, satisfy the special requirement of the client.

The company offer service based on client demand:

- Item feasibility analysis
- Item argumentation
- Machine type selection
- Facility performance test
- Material characteristic
- Facility assembling and debugging.personnel training

Offer the total pneumatic conveying system bargain key project including air sources、feeder facilty, dustseparating collector electricity control and PLC control and so on the client.

目 录

Contents

一、罗茨鼓风机的特点	4
Roots type rotary blowers features	
二、HTSR性能表的说明	5
How to use performance tables	
三、HTSR性能表	6
Type HTSR performance table	
四、HTSR-V真空性能表	8
Type HTSR-V vacuum performance table	
五、HTSR 直联式 性能表	10
Type HTSR direct coupling performance table	
六、HTSR 外形尺寸图	11
Type HTSR putline dimensions	
七、HTSR 直联式 外形尺寸图	12
Type HTSR direct coupling outling dimensions	
八、HTSR 噪音值	13
Type HTSR noise level	
九、HTSR-HB 高压型性能表	14
Type HTSR-HB performance table	
十、HTSR-VHB 真空性能表	16
Type HTSR-VHB vacuum performance table	
十一、HTSR-HB 高压型直联式性能表	18
HTSR-HB direct coupling performance table	
十二、HTSR-HB 高压型外形尺寸图	19
Type HTSR-HB outline dimensions	
十三、HTSR-HB 高压型直联式外形尺寸图	20
Type HTSR-HB direct coupling outline dimensions	
十四、HTSR-HB 高压型噪音值	21
Type HTSR-HB noise level	
十五、HTSR-HB 高压型配管参考图	22
Peference drawing of piping for type HTSR-HB	
十六、HTSR-HB-U 高压性能表	23
Type HTSR-HB-U performance table	
十七、HTSR-HB-U 外形尺寸图	25
Type HTSR-HB-U outline dimensions	
十八、HTSR 附属品	26
Type HTSR accessories	
十九、罗茨蒸汽压缩机	28
Roots steam compressor	
二十、构造图&材质	29
Structure drawing	
二十一、应用领域	31
Application area	
二十二、隔音罩	32
Soundproof enclosures	



HTSR

口径 $\Phi 50 \sim \Phi 200\text{mm}$
 流量 $0.78 \sim 60\text{m}^3/\text{min}$
 压力 $9.8\text{KPa} \sim 58.8\text{KPa}$

HTSR-V

口径 $\Phi 50 \sim \Phi 200\text{mm}$
 流量 $0.86 \sim 58.65\text{m}^3/\text{min}$
 压力大气压 $\sim -39.2\text{KPa}$



HTSR-HB

口径 $\Phi 50 \sim \Phi 250\text{mm}$
 流量 $1.24 \sim 90\text{m}^3/\text{min}$
 压力 $9.8\text{KPa} \sim 78.4\text{KPa}$

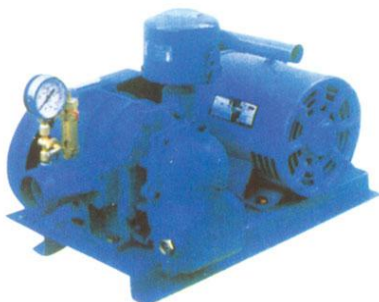
HTSR-VHB

口径 $\Phi 50 \sim \Phi 250\text{mm}$
 流量 $0.86 \sim 87.3\text{m}^3/\text{min}$
 压力大气压 $\sim -44\text{KPa}$



HTSR-HB-U

口径 $\Phi 50 \sim \Phi 200\text{mm}$
 流量 $1.24 \sim 58\text{m}^3/\text{min}$
 压力 $9.8\text{KPa} \sim 78.4\text{KPa}$



HTSR-T

口径 $\Phi 20 \sim \Phi 65\text{mm}$
 流量 $0.1 \sim 2.68\text{m}^3/\text{min}$
 压力 $9.8\text{KPa} \sim 49\text{KPa}$

HTSR-VT

口径 $\Phi 20 \sim \Phi 65\text{mm}$
 流量 $0.1 \sim 2.74\text{m}^3/\text{min}$
 压力大气压 $\sim -34.3\text{KPa}$

● 罗茨鼓风机的特点

ROOTS TYPE ROTARY BLOWERS FEATURES

■ 螺旋形状是 20° 以上的固定螺旋方式。机壳的进排风屏蔽线切入螺旋，以转子顶端光面线构成的三角形进排风口，通过转子的旋转而循序打开。

本风机的进排风口，不像旧式罗茨螺旋风机那样在瞬间打开或关闭，所以运转声音极小，几乎没有排风脉动。

■ 因为转子是三叶直线形，所以它不像螺旋式转子那样，因轴向微小变位而使转子相互接触。因此，只在剖面上保证转子间的间隙即可，不需要像转子螺旋式那样再加上轴向变位，以致间隙过大。这种风机的效率比相同尺寸的转子螺旋式风机好得多。

■ 因转子采取特殊外形，便于保持转子间的相互间隙，使效率进一步提高。

■ 因使用精密数控机床批量生产转子，并对精度管理采取了完善的措施，所以，各台风机之前完全没有性能误差。另外，转子在制造过程中已成平衡状态。所以，转子不会像过去那样残留微小的不平衡。本机几乎完全没有振动。

■ 采用最高级驱动齿轮，不仅使寿命得到延长，而且实现了低噪音化。该齿轮采用特殊Cr-Mo钢经适当淬火处理，严格按照JISI级齿轮精度精研削制造。因而将来自齿轮对产品的不良干扰完全排除。

■ 输出空气清洁，不含任何油质灰尘。机壳内部不须油类润滑，且采用了避免轴承，齿轮油类混入机壳内部的结构设计。

■ 随着公司品质管理、生产管理体制的确立，实现了部件相互交流、低生产成本、短期交货的目标。该风机一般情况下，有适量库存。可以实现当即供货。

■ The helical construction uses the stator helical method that the screen lines of casing at the suction and discharge sides are cut to a helical shape, and the triangle suction and discharge port formed by a straight line of the rotor top is to be opened and closed gradually.

Therefore, the suction and discharge ports of this type is not opened or closed at moments, which makes these blowers have an only limited operation sound and almost free from pulsations from discharge.

■ The rotors are three-lobe straight type, so that the rotors can not interfere with each other, result from minor displacements in the thrust direction as in the helical type. Therefore, the clearance between the rotors should be assured in the profile direction only and thus there is no necessity of an excessive clearance on account of displacements in the thrust direction as in case of the rotor helical type. From such reasons, these blowers have a very high efficiency, in comparison with the rotor helical type of same dimensions.

■ By adoption of an unique profile of rotor, the clearance between the rotors can be held to be constant, which makes the efficiency even higher.

■ The precision of rotors is fully controlled and variation of precision between blowers is almost nil because the rotors are produced under the mass production control by utilizing a precision NC machining. In addition, the rotors are dynamically balanced in the fabrication stage already, so that these rotors are almost free from vibrations as in the case of conventional rotors which are still unbalanced.

■ The advancedest driving gears are adopted not only to extend the use life but also to make noise lower. The gears are made in special Cr-Mo steel by hardening treatment and are made according with gear precision of JISI firstclass. Therefore, the harmful disturbances to products from gears are avoided.

■ The transported air is clean and is any oil-dust free oil lubrication is not needed in casing and the structure design prevent the bearing oil and gear oil from entering the casing.

■ With the establishment of quality management system and manufacture management system, the aims of parts exchanging, less production cost and rapid delivery are realized. The blowers of right quantity are kept in stock to make delivery in time.

● HTSR性能表的说明

HOW TO USE PERFORMANCE TABLES

性能表示出了风机型号、口径、转速、排风压力、风量和所需要动力的关系。

▲性能表所示风量是标准进风状态下的风量。所谓标准状态，就是温度20℃，绝对压力1.0332kgf/cm²{101.3kpa}，相对湿度65%。

▲基准状态(温度0℃，绝对压力1.0332kgf/cm²{101.3kpa})的风量，一般以Nm³/min表示。在进风压力相同的情况下，可用下式换算成标准状态的风量。

$$Q_s = Q_N \times 1.0332$$

Q_s: 标准状态风量(m³/min)

Q_N: 基准状态风量(m³/min)

▲可用下式把排风状态风量换算成标准状态风量

$$Q_s = Q_d \times \frac{1.0332 + P_d}{1.0332} \times \frac{273 + t_s}{273 + t_d}$$

Q_d: 排风状态风量(m³/min)

P_d: 排风压力(kgf/cm²)

t_s: 进风温度(℃)

t_d: 排风温度(℃)

▲以上述结果求出风量的排风压力，由此再根据性能表求出风机型号、口径、转速和所需动力。

▲性能表以不同的颜色表示出了不同的电机输出功率，请用户使用相应功率的电机。

▲有些风机的型号其选定范围是重复的。从经济的角度，应选用小型风机；从噪音的角度，应选用大型风机。

The performance tables give the model number, bore, r.p.m., discharge pressure, air capacity and required power of the blower.

▲The air capacity in the tables is indicated in the standard suction state. The standard suction state herein mentioned is defined as the condition at 20℃ temperature, 1.0332kgf/cm² (101.3kPa) absolute pressure and 65% relative humidity.

▲The reference air capacity (0℃ temperature and 1.0332kgf/cm² (101.3kPa) absolute pressure) is generally indicated in Nm³/min. However, it may be converted into the standard air capacity by the following equation, if the suction pressure is equal.

$$Q_s = Q_N \times 1.0332$$

where, Q_s: standard air capacity; and

Q_N: reference air capacity.

▲The discharge air capacity can be converted into the standard air capacity by the following equation.

$$Q_s = Q_d \times \frac{1.0332 + P_d}{1.0332} \times \frac{273 + t_s}{273 + t_d}$$

where, Q_d: discharge air capacity, in m³/min;

P_d: discharge pressure, in kgf/m²;

t_s: suction temperature, in °C;

t_d: discharge temperature, in °C.

▲According to the air capacity and discharge pressure as calculated above, the model number, bore, r.p.m. and required power can be found in the performance table.

▲The motor powers are indicated by color marking, and the motor powers to be used should be that indicated.

▲The choice is overlapped depending upon the type of blower. For reference, however, selection should be lower number blowers for the economy and higher number blowers for the sound level.

● SI单位换算表

SI Units Convers Table(SI Units in Heavy Lines)

	Pa	Bar	Kgf/cm ²	Atm	MmH ₂ O	MmHg (Torr)
压力 Pressure	1	1 × 10 ⁻⁵	1.019 72 × 10 ⁻⁵	9.869 23 × 10 ⁻⁶	1.019 72 × 10 ⁻¹	7.500 62 × 10 ⁻³
	1 × 10 ⁵	1	1.019 72	9.869 23 × 10 ⁻¹	1.019 72 × 10 ⁴	7.500 62 × 10 ²
	9.806 65 × 10 ⁴	9.806 65 × 10 ⁻¹	1	9.678 41 × 10 ⁻¹	1 × 10 ⁴	7.355 59 × 10 ²
	1.013 25 × 10 ⁵	1.013 25	1.033 23	1	1.033 23 × 10 ⁴	7.600 00 × 10 ²
	9.806 65	9.806 65 × 10 ⁻⁵	1 × 10 ⁻⁴	9.678 41 × 10 ⁻⁵	1	7.355 59 × 10 ⁻²
	1.333 22 × 10 ²	1.333 22 × 10 ⁻³	1.359 51 × 10 ⁻³	1.315 19 × 10 ⁻³	1.359 51 × 10	1

HTSR 性能表

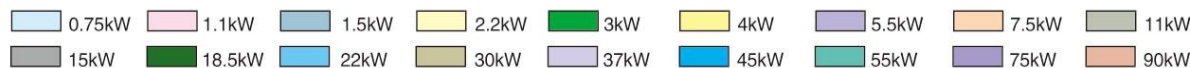
TYPE HTSR PERFORMANCE TABLE

Qs: 进风状态风量(m³/min)

La: 所需动力(kW)

Suction-phase Air Volume(m³/min)

Required electric power(kW)



型式 Type	口径 Bore	转速 rpm	排出压力(kg/cm²) Discharge Pressure																				转速 rpm		
			0.10		0.15		0.20		0.25		0.30		0.35		0.40		0.45		0.50		0.55			0.60	
			Qs	La	Qs	La	Qs	La	Qs	La	Qs	La	Qs	La	Qs	La	Qs	La	Qs	La	Qs	La		Qs	La
HTSR 50	50A	1100	1.22	0.30	1.16	0.44	1.12	0.52	1.05	0.66	0.99	0.78	0.93	0.92	0.90	1.04	0.85	1.18	0.78	1.32					1100
		1230	1.38	0.38	1.31	0.52	1.27	0.64	1.20	0.78	1.14	0.92	1.08	1.06	1.05	1.20	1.00	1.35	0.94	1.49	0.90	1.64			1230
		1350	1.53	0.44	1.46	0.60	1.42	0.74	1.34	0.88	1.28	1.04	1.23	1.19	1.19	1.34	1.14	1.50	1.09	1.65	1.05	1.82			1350
		1450	1.66	0.50	1.58	0.67	1.54	0.82	1.46	0.98	1.40	1.14	1.34	1.30	1.30	1.47	1.25	1.62	1.20	1.79	1.16	1.96	1.14	2.15	1450
		1530	1.75	0.56	1.68	0.74	1.63	0.90	1.55	1.06	1.49	1.24	1.43	1.40	1.39	1.58	1.35	1.75	1.30	1.92	1.26	2.10	1.24	2.29	1530
		1640	1.89	0.64	1.81	0.84	1.76	1.01	1.68	1.18	1.62	1.37	1.56	1.55	1.52	1.74	1.47	1.91	1.43	2.10	1.40	2.29	1.38	2.49	1640
		1730	2.00	0.71	1.92	0.92	1.87	1.10	1.79	1.28	1.73	1.48	1.66	1.67	1.62	1.86	1.57	2.05	1.53	2.25	1.50	2.45	1.48	2.66	1730
		1840	2.13	0.80	2.05	1.01	2.00	1.20	1.92	1.40	1.86	1.62	1.79	1.81	1.75	2.02	1.70	2.22	1.67	2.43	1.64	2.64	1.62	2.86	1840
		1950	2.27	0.89	2.19	1.11	2.13	1.32	2.05	1.52	1.99	1.75	1.92	1.95	1.88	2.18	1.83	2.39	1.81	2.61	1.77	2.83	1.75	3.06	1950
		2120	2.48	1.02	2.39	1.26	2.33	1.49	2.25	1.71	2.19	1.96	2.12	2.18	2.08	2.42	2.03	2.65	2.01	2.89	1.98	3.13	1.96	3.37	2120
HTSR 65	65A	1110	1.67	0.38	1.57	0.60	1.48	0.80	1.40	0.99	1.32	1.16	1.25	1.35	1.18	1.52	1.12	1.72	1.07	1.82					1110
		1240	1.92	0.48	1.82	0.70	1.73	0.92	1.65	1.12	1.58	1.33	1.51	1.53	1.44	1.74	1.38	1.96	1.32	2.10	1.27	2.30			1240
		1360	2.16	0.56	2.06	0.81	1.97	1.04	1.89	1.24	1.82	1.48	1.75	1.71	1.68	1.94	1.62	2.18	1.56	2.35	1.51	2.58			1360
		1450	2.31	0.63	2.22	0.88	2.14	1.12	2.07	1.34	2.00	1.60	1.93	1.85	1.86	2.10	1.80	2.32	1.74	2.54	1.69	2.78	1.63	3.00	1450
		1530	2.45	0.70	2.36	0.96	2.28	1.20	2.21	1.45	2.14	1.72	2.08	1.98	2.02	2.25	1.96	2.50	1.90	2.72	1.84	2.96	1.79	3.20	1530
		1640	2.66	0.80	2.57	1.08	2.49	1.33	2.42	1.60	2.36	1.89	2.30	2.17	2.24	2.46	2.18	2.73	2.12	2.95	2.06	3.22	2.01	3.46	1640
		1740	2.86	0.89	2.77	1.18	2.69	1.46	2.62	1.74	2.56	2.04	2.50	2.34	2.44	2.64	2.38	2.94	2.32	3.16	2.26	3.45	2.21	3.70	1740
		1820	3.02	0.96	2.93	1.27	2.85	1.56	2.78	1.86	2.72	2.16	2.66	2.46	2.60	2.79	2.54	3.10	2.48	3.33	2.42	3.63	2.37	3.90	1820
		1940	3.26	1.07	3.17	1.40	3.09	1.71	3.02	2.03	2.96	2.35	2.90	2.69	2.83	3.02	2.77	3.35	2.71	3.59	2.66	3.90	2.61	4.20	1940
		2130	3.64	1.24	3.55	1.60	3.47	1.95	3.40	2.30	3.33	2.65	3.27	3.00	3.21	3.35	3.15	3.72	3.09	4.00	3.04	4.34	2.99	4.66	2130
HTSR 80	80A	1140	3.09	1.04	3.00	1.32	2.90	1.60	2.84	1.98	2.78	2.14	2.71	2.43	2.63	2.69	2.54	3.00	2.48	3.22	2.40	3.47	2.36	3.74	1140
		1230	3.37	1.14	3.28	1.46	3.18	1.76	3.10	2.06	3.06	2.35	2.99	2.65	2.91	2.94	2.82	3.27	2.76	3.53	2.68	3.81	2.63	4.11	1230
		1300	3.59	1.22	3.50	1.57	3.41	1.89	3.33	2.21	3.27	2.51	3.20	2.83	3.12	3.14	3.03	3.49	2.97	3.77	2.90	4.09	2.84	4.41	1300
		1360	3.77	1.29	3.68	1.66	3.59	1.99	3.52	2.33	3.46	2.64	3.38	2.98	3.30	3.31	3.22	3.67	3.16	3.98	3.09	4.30	3.02	4.65	1360
		1460	4.08	1.40	3.99	1.81	3.90	2.17	3.82	2.54	3.76	2.87	3.69	3.23	3.62	3.60	3.53	3.98	3.46	4.32	3.40	4.69	3.34	5.06	1460
		1560	4.38	1.52	4.30	1.97	4.21	2.32	4.14	2.74	4.07	3.10	4.00	3.49	3.93	3.88	3.84	4.29	3.77	4.66	3.71	5.07	3.65	5.48	1560
		1650	4.66	1.62	4.57	2.11	4.48	2.50	4.41	2.92	4.36	3.31	4.28	3.71	4.20	4.14	4.12	4.56	4.05	4.98	3.98	5.40	3.92	5.85	1650
		1730	4.90	1.71	4.82	2.23	4.73	2.64	4.67	3.08	4.60	3.50	4.53	3.92	4.46	4.36	4.38	4.80	4.30	5.26	4.24	5.74	4.15	6.18	1730
		1820	5.18	1.81	5.10	2.37	5.00	2.80	4.94	3.27	4.88	3.70	4.81	4.15	4.74	4.62	4.65	5.08	4.58	5.57	4.52	6.06	4.45	6.56	1820
		1900	5.43	1.91	5.35	2.50	5.27	2.95	5.19	3.44	5.12	3.88	5.06	4.35	4.99	4.86	4.89	5.33	4.82	5.84	4.77	6.36	4.70	6.88	1900
HTSR 100	100A	1060	4.57	1.35	4.40	1.80	4.24	2.23	4.09	2.70	3.95	3.10	3.82	3.57	3.70	4.00	3.59	4.48	3.48	4.95	3.38	5.40	3.28	5.86	1060
		1140	4.97	1.52	4.81	2.00	4.65	2.46	4.50	2.95	4.36	3.41	4.23	3.90	4.12	4.38	4.01	4.88	3.90	5.38	3.80	5.88	3.71	6.38	1140
		1220	5.34	1.68	5.18	2.20	5.03	2.70	4.89	3.20	4.76	3.71	4.64	4.24	4.53	4.76	4.42	5.29	4.32	5.76	4.22	6.37	4.13	6.90	1220
		1310	5.73	1.87	5.58	2.41	5.44	2.96	5.31	3.50	5.18	4.05	5.06	4.61	4.95	5.18	4.84	5.75	4.74	6.30	4.64	6.92	4.55	7.48	1310
		1460	6.53	2.18	6.38	2.78	6.25	3.40	6.12	3.98	6.00	4.62	5.89	5.24	5.78	5.87	5.68	6.52	5.58	7.10	5.48	7.74	5.39	8.45	1460
		1540	6.91	2.40	6.77	3.02	6.64	3.67	6.52	4.30	6.40	4.98	6.29	5.63	6.19	6.30	6.09	6.98	5.99	7.61	5.90	8.37	5.81	9.00	1540
		1680	7.63	2.78	7.49	3.48	7.36	4.18	7.24	4.90	7.13	5.62	7.02	6.35	6.92	7.08	6.82	7.83	6.73	8.50	6.64	9.30	6.55	10.03	1680
		1780	8.09	3.05	7.96	3.81	7.84	4.56	7.73	5.32	7.62	6.10	7.52	6.86	7.42	7.63	7.32	8.43	7.23	9.15	7.14	9.97	7.06	10.71	1780
		1880	8.57	3.33	8.45	4.13	8.36	4.93	8.25	2.75	8.15	6.55	8.05	7.38	7.95	8.18	7.86	9.02	7.77	9.80	7.68	10.62	7.60	11.42	1880
		1980	9.07	3.60	8.96	4.46	8.85	5.31	8.75	6.17	8.65	7.01	8.55	7.90	8.46	8.75	8.37	9.63	8.28	10.45	8.20	11.30	8.12	12.13	1980



HTSR 性能表

TYPE HTSR PERFORMANCE TABLE



型式 Type	口径 Bore	转速 rpm	排出压力(kgf/cm²) Discharge Pressure																								转速 rpm
			0.10		0.15		0.20		0.25		0.30		0.35		0.40		0.45		0.50		0.55		0.60				
			9.8kPa		14.7kPa		19.6kPa		24.5kPa		29.4kPa		34.3kPa		39.2kPa		44.1kPa		49kPa		53.9kPa		58.8kPa				
			Qs	La	Qs	La	Qs	La	Qs	La	Qs	La	Qs	La	Qs	La	Qs	La	Qs	La	Qs	La	Qs	La	Qs	La	
HTSR 125	125A	980	6.50	1.65	6.30	2.23	6.15	2.80	6.05	3.45	5.95	4.10	5.82	4.70	5.75	5.40	5.64	6.10	5.55	6.70	5.47	7.20	5.37	8.05	980		
		1050	6.95	1.90	6.78	2.54	6.63	3.15	6.51	3.85	6.42	4.53	6.30	5.20	6.22	5.95	6.11	6.65	6.03	7.30	5.95	7.90	5.85	8.75	1050		
		1200	8.00	2.50	7.80	3.20	7.65	3.92	7.55	4.70	7.45	5.50	7.34	6.28	7.25	7.10	7.15	7.90	7.00	8.65	6.98	9.40	6.90	10.25	1200		
		1310	8.75	2.90	8.55	3.65	8.40	4.50	8.29	5.35	8.19	6.20	8.09	7.05	8.00	7.90	7.90	8.80	7.82	9.65	7.74	10.05	7.64	11.40	1310		
		1390	9.30	3.20	9.10	4.00	8.95	4.90	8.84	5.80	8.74	6.70	8.63	7.60	8.54	8.50	8.45	9.45	8.37	10.35	8.28	11.25	8.20	12.20	1390		
		1450	9.72	3.45	9.50	4.25	9.35	5.20	9.25	6.15	9.15	7.10	9.05	8.05	8.95	9.00	8.85	9.90	8.77	10.90	8.70	11.80	8.60	12.80	1450		
		1530	10.27	3.80	10.07	4.70	9.90	5.65	9.80	6.65	9.70	7.65	9.60	8.60	9.50	9.60	9.40	10.60	9.33	11.60	9.25	12.60	9.15	13.60	1530		
		1630	10.96	4.30	10.75	5.20	10.57	6.25	10.47	7.25	10.37	8.35	10.27	9.35	10.17	10.35	10.08	11.35	10.01	12.40	9.93	13.50	9.85	14.60	1630		
		1750	11.78	4.90	11.55	5.80	11.38	6.95	11.29	7.95	11.18	9.18	11.09	10.20	10.99	11.26	10.91	12.33	10.83	13.38	10.75	14.70	10.66	15.80	1750		
		1850	12.48	5.40	12.25	6.36	12.05	7.55	11.97	8.57	11.85	9.88	11.70	10.94	11.66	12.02	11.58	13.12	11.50	14.20	11.42	15.60	11.34	16.85	1850		
HTSR 150	150A	810	12.01	3.85	11.76	5.00	11.54	6.20	11.35	7.30	11.15	8.50	11.00	9.60	10.86	10.80	10.76	11.95	10.65	13.20	10.52	14.40	10.39	15.60	810		
		860	12.80	4.40	12.62	5.60	12.40	6.86	12.20	8.05	12.03	9.30	11.86	10.45	11.75	11.70	11.65	13.00	11.54	14.25	11.40	15.50	11.27	16.80	860		
		970	14.70	5.58	14.50	7.00	14.30	8.30	14.10	9.65	13.95	11.05	13.80	12.40	13.70	13.80	13.60	15.20	13.50	16.60	13.35	18.00	13.23	19.40	970		
		1110	17.08	7.00	16.90	8.60	16.70	10.15	16.52	11.70	16.37	13.10	16.25	14.80	16.15	16.50	16.05	18.00	15.95	19.60	15.85	21.20	15.70	22.80	1110		
		1180	18.25	7.80	18.10	9.45	17.92	11.10	17.73	12.70	17.59	14.40	17.47	16.00	17.37	17.80	17.27	19.40	17.17	21.10	17.07	22.80	16.97	24.40	1180		
		1240	19.27	8.45	19.10	10.20	18.95	11.90	18.77	13.60	18.63	15.40	18.53	17.07	18.43	18.90	18.33	20.70	18.23	22.40	18.13	24.20	18.03	25.80	1240		
		1400	22.00	10.20	21.83	12.10	21.70	14.00	21.55	15.95	21.40	17.90	21.30	19.90	21.20	21.90	21.15	23.85	21.05	25.80	20.97	27.90	20.87	29.70	1400		
		1520	23.93	11.65	23.80	13.80	23.68	15.90	23.52	18.00	23.40	20.15	23.30	22.30	23.21	24.60	23.13	26.70	23.04	28.90	22.95	31.20	22.82	33.30	1520		
		1620	25.42	13.40	25.30	15.60	25.15	18.00	25.00	20.40	24.86	22.60	24.75	25.00	24.68	27.40	24.58	29.65	24.48	32.05	24.40	34.40	24.27	36.90	1620		
		1730	27.05	15.30	26.92	17.60	26.77	20.20	26.61	22.90	26.48	25.30	26.35	27.90	26.27	30.40	26.17	33.00	26.08	35.55	26.00	38.00	25.87	40.80	1730		
HTSR 175	175A	970	21.87	7.20	21.42	9.29	21.02	11.25	20.64	13.26	20.33	15.33	20.04	17.35	19.80	19.42	19.57	21.49	19.35	23.56	19.08	25.63	18.85	27.70	970		
		1110	25.43	8.91	25.01	11.28	24.61	13.59	24.25	15.90	23.94	18.05	23.67	20.52	23.44	23.00	23.21	25.25	22.98	27.62	22.77	29.99	22.51	32.35	1110		
		1180	27.20	9.87	26.80	12.83	26.42	14.79	26.06	17.19	25.76	19.71	25.49	22.11	25.25	24.73	25.02	27.14	24.98	29.65	24.58	32.17	24.37	34.57	1180		
		1240	28.73	10.65	28.31	13.25	27.96	15.80	27.61	18.35	27.30	21.00	27.06	23.52	26.82	26.21	26.59	28.86	26.37	31.41	26.15	34.07	25.94	36.51	1240		
		1400	32.81	12.75	32.40	15.60	32.07	18.46	31.74	21.37	31.43	24.28	31.18	27.24	30.95	30.21	30.77	33.12	30.54	35.02	30.35	39.10	30.14	41.84	1400		
		1520	35.76	14.47	35.39	17.67	35.07	20.81	34.73	23.95	34.45	27.14	34.20	30.34	33.98	33.70	33.77	36.84	33.55	40.09	33.35	43.45	33.11	46.59	1520		
		1620	38.10	16.51	37.74	19.81	37.39	23.34	37.06	26.86	36.76	30.17	36.50	33.69	36.29	37.22	36.06	40.58	35.84	44.10	35.65	47.57	35.40	51.21	1620		
		1730	40.67	18.72	40.29	22.19	39.94	26.00	39.60	29.91	39.31	33.50	39.04	37.30	38.82	41.00	38.59	44.80	38.38	48.55	38.18	52.19	37.94	56.22	1730		
HTSR 200	200A	810	31.77	8.05	31.19	11.28	30.52	14.65	29.98	17.60	29.55	20.68	29.21	23.83	28.89	26.94	28.57	29.99	28.22	33.16	27.91	36.05	27.63	39.05	810		
		900	35.68	9.95	35.05	13.48	34.49	17.10	34.04	20.44	33.66	24.00	33.36	27.53	33.05	30.93	32.73	34.40	32.34	37.83	32.03	41.02	31.71	44.38	900		
		980	39.15	11.58	38.53	15.50	38.08	19.38	37.66	22.93	37.34	27.18	37.05	30.78	36.77	34.55	36.41	38.23	36.03	42.02	35.68	45.52	35.34	49.38	980		
		1070	43.03	13.46	42.50	17.81	42.04	21.24	41.68	25.82	41.44	30.13	41.17	34.43	40.97	38.68	40.56	42.65	40.15	46.82	39.77	50.71	39.42	54.95	1070		
		1150	46.50	15.18	46.04	19.95	45.55	23.71	45.31	28.13	45.07	32.71	44.85	37.26	44.60	42.02	44.21	46.62	43.78	50.98	43.42	55.09	43.06	59.74	1150		
		1230	49.60	17.09	49.16	21.94	48.74	26.43	48.45	31.28	48.22	36.26	48.00	41.25	47.78	46.08	47.49	50.78	47.08	55.53	46.76	59.83	46.44	64.80	1230		
		1310	52.67	19.65	52.22	24.34	51.86	29.20	51.57	34.28	51.38	39.66	51.18	44.88	50.99	50.18	50.69	55.09	50.40	59.96	50.10	64.53	49.83	69.72	1310		
		1390	55.77	21.31	54.31	26.64	54.96	31.88	54.72	37.46	54.49	42.92	54.35	48.52	54.16	54.22	53.91	59.28	53.68	64.48	53.49	69.16	53.24	74.60	1390		
		1480	59.20	23.80	58.83	28.96	58.46	34.37	58.24	40.42	58.02	46.58	57.89	52.36	57.76	58.19	57.57	63.62	57.37	68.98	57.22	74.22	57.08	80.18	1480		

HTSR-V 真空性能表

TYPE HTSR-V VACUUM PERFORMANCE TABLE



Qs: 各真空度下的风量(m³/min)

Vacuum Volume at each Discharge pressure(m³/min)

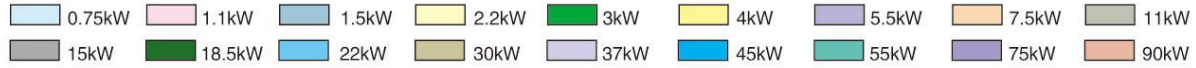
La: 所需动力(kW)

Required electric power(kW)

型号 Type	口径 Bore	真空度 Vacuum pressure 转速 rpm	-100mmHg		-150mmHg		-200mmHg		-250mmHg		-300mmHg	
			-1360mmAq		-2040mmAq		-2720mmAq		-3400mmAq		-4080mmAq	
			Qs	La	Qs	La	Qs	La	Qs	La	Qs	La
HTSR 50V	吸入口径 40A 吐出口径 1.0MPa-50A	1100	1.12	0.36	1.03	0.55	0.94	0.74	0.86	0.93		
		1230	1.29	0.47	1.20	0.67	1.10	0.88	1.02	1.08		
		1350	1.45	0.58	1.36	0.80	1.26	1.02	1.16	1.24		
		1470	1.62	0.74	1.54	0.96	1.45	1.18	1.35	1.40	1.25	1.62
		1560	1.76	0.86	1.69	1.09	1.60	1.31	1.50	1.54	1.37	1.76
		1660	1.88	0.93	1.81	1.17	1.71	1.41	1.61	1.66	1.48	1.90
		1750	1.99	0.99	1.92	1.27	1.82	1.50	1.71	1.76	1.58	2.02
		1850	2.12	1.13	2.05	1.39	1.95	1.65	1.84	1.91	1.71	2.17
		1960	2.27	1.28	2.20	1.55	2.10	1.81	1.99	2.08	1.90	2.34
		2120	2.46	1.56	2.38	1.84	2.27	2.21	2.15	2.40	2.02	2.67
HTSR 65V	吸入口径 50A 吐出口径 1.0MPa-65A	1110	1.57	0.75	1.43	0.98	1.30	1.21	1.16	1.45		
		1240	1.83	0.84	1.69	1.09	1.54	1.35	1.40	1.61		
		1360	2.08	0.95	1.93	1.24	1.78	1.52	1.64	1.81		
		1460	2.27	1.05	2.13	1.35	1.99	1.65	1.84	1.96	1.70	2.26
		1550	2.47	1.13	2.32	1.45	2.17	1.77	2.03	2.09	1.88	2.41
		1670	2.70	1.24	2.56	1.58	2.42	1.93	2.27	2.28	2.13	2.62
		1770	2.90	1.32	2.76	1.69	2.62	2.06	2.49	2.43	2.35	2.79
		1860	3.08	1.44	2.94	1.82	2.80	2.20	2.65	2.59	2.51	2.98
		1980	3.33	1.60	3.18	2.00	3.03	2.41	2.89	2.81	2.74	3.23
		2150	3.57	1.84	3.43	2.28	3.30	2.72	3.16	3.16	3.02	3.60
HTSR 80V	吸入口径 65A 吐出口径 1.0MPa-80A	1130	2.29	1.01	2.79	1.46	2.65	1.90	2.50	2.35		
		1240	2.92	1.17	3.15	1.66	3.00	2.14	2.85	2.63	2.69	3.11
		1300	3.49	1.30	3.35	1.80	3.20	2.30	3.05	2.80	2.89	3.30
		1370	3.73	1.44	3.59	1.96	3.44	2.49	3.29	3.01	3.13	3.53
		1470	4.03	1.60	3.89	2.16	3.74	2.73	3.59	3.30	3.43	3.86
		1570	4.35	1.82	4.21	2.40	4.07	2.99	3.92	3.57	3.77	4.16
		1660	4.64	2.01	4.51	2.62	4.37	3.24	4.22	3.85	4.06	4.46
		1750	4.95	2.23	4.81	2.85	4.67	3.48	4.53	4.11	4.38	4.73
		1840	5.23	2.42	5.10	3.09	4.96	3.75	4.81	4.42	4.65	5.09
		1930	5.53	2.64	5.40	3.33	5.26	4.02	5.11	4.72	4.95	5.41
HTSR 100V	吸入口径 80A 吐出口径 1.0MPa-100A	1017	4.35	1.56	4.06	2.24	3.80	2.92	3.57	3.60		
		1160	4.83	1.80	4.56	2.53	4.29	3.27	4.03	4.01	3.78	4.72
		1240	5.27	1.97	4.99	2.74	4.72	3.52	4.46	4.29	4.20	5.07
		1320	5.80	2.09	5.54	2.94	5.27	3.79	5.01	4.64	4.74	5.49
		1480	6.51	2.27	6.28	3.19	6.05	4.14	5.82	5.05	5.60	5.97
		1580	6.99	2.45	6.77	3.43	6.55	4.44	6.33	5.44	6.10	6.40
		1700	7.57	2.66	7.37	3.72	7.16	4.79	6.95	5.86	6.73	6.92
		1790	8.00	2.87	7.81	3.95	7.60	5.07	7.38	6.19	7.15	7.27
		1890	8.47	3.03	8.29	4.21	8.09	5.39	7.88	6.56	7.66	7.74
		2010	9.08	3.23	8.92	4.48	8.75	5.74	8.57	7.00	8.38	8.26

● HTSR-V 真空性能表

TYPE HTSR-V VACUUM PERFORMANCE TABLE



型号 Type	口径 Bore	真空度 Vacuum pressure	-100mmHg		-150mmHg		-200mmHg		-250mmHg		-300mmHg	
			-1360mmAq		-2040mmAq		-2720mmAq		-3400mmAq		-4080mmAq	
			转速 rpm	Qs	La	Qs	La	Qs	La	Qs	La	Qs
HTSR 125V	吸入口径 100A 吐出口径 1.0MPa-125A	980	6.24	2.27	5.97	3.17	5.70	4.07	5.42	4.97	5.14	5.86
		1050	6.75	2.60	6.48	3.53	6.21	4.47	5.94	5.41	5.66	6.35
		1200	7.77	3.26	7.51	4.31	7.25	5.37	6.98	6.42	6.69	7.47
		1310	8.57	3.71	8.36	4.87	8.13	6.02	7.88	7.18	7.61	8.33
		1410	9.27	4.05	9.05	5.29	8.82	6.53	8.57	7.77	8.30	9.00
		1470	9.70	4.37	9.48	5.66	9.25	6.95	9.02	8.23	8.78	9.21
		1550	10.30	4.62	10.10	5.98	9.82	7.34	9.58	8.70	9.33	10.10
		1650	11.00	5.18	10.70	6.64	10.50	9.11	10.30	9.58	10.10	11.10
		1770	11.80	5.70	11.50	7.23	11.30	8.75	11.10	10.30	10.90	11.80
HTSR 150V	吸入口径 125A 吐出口径 1.0MPa-150A	810	12.60	3.51	12.20	4.83	11.80	6.72	11.40	8.61	11.00	10.50
		870	13.80	4.12	13.30	6.00	12.80	7.80	12.30	9.77	11.80	11.70
		990	15.60	4.46	15.20	6.58	14.70	8.70	14.30	10.80	13.80	12.90
		1120	17.70	6.61	17.30	8.94	16.80	11.30	16.30	13.60	15.80	15.90
		1200	19.10	7.57	18.70	9.93	18.20	12.30	17.80	14.70	17.30	17.00
		1270	20.30	8.40	19.90	10.80	19.50	13.20	19.10	15.60	18.70	18.00
		1410	22.50	10.50	22.10	13.20	21.70	15.90	21.30	18.60	23.80	21.30
		1540	24.60	12.50	24.20	15.40	23.70	18.30	23.20	21.20	22.70	24.00
		1670	26.50	14.30	26.00	17.40	25.50	20.50	25.00	23.50	24.50	26.60
1780	27.80	15.90	27.30	19.20	26.80	22.50	26.30	25.80	25.70	29.10		
HTSR 175V	吸入口径 150A 吐出口径 1.0MPa-200A	970	21.19	8.09	20.43	11.19	19.57	13.69	18.86	15.85	18.01	18.15
		1110	24.84	10.07	23.90	13.81	23.10	16.65	22.55	19.14	21.51	21.70
		1180	26.63	11.46	25.75	14.56	24.86	17.75	24.28	20.53	23.42	23.42
		1240	28.18	11.96	27.24	15.70	26.55	19.01	25.88	21.74	24.96	25.15
		1400	32.18	14.20	31.32	18.48	30.57	22.64	29.95	25.53	29.08	29.27
		1520	35.15	16.11	34.25	20.99	33.65	24.85	32.91	28.58	32.03	32.33
		1620	37.48	18.02	36.62	23.57	35.79	27.67	35.13	31.53	34.23	35.84
1730	40.00	20.22	39.12	26.00	38.32	30.85	37.66	35.35	36.67	39.61		
HTSR 200V	吸入口径 200A 吐出口径 1.0MPa-200A	810	31.07	10.38	29.92	14.89	29.01	18.96	28.16	23.20	27.08	27.43
		900	34.92	12.49	33.98	17.37	33.17	22.01	32.28	26.82	31.16	31.49
		980	38.39	14.40	37.24	19.66	36.85	24.80	35.97	30.06	34.78	35.14
		1070	42.37	16.59	41.02	21.61	40.97	27.72	40.09	33.57	38.86	39.32
		1150	45.90	18.61	45.25	24.06	44.65	30.15	43.72	36.35	42.50	42.76
		1230	49.01	20.58	48.38	26.74	47.79	33.47	47.02	40.25	45.87	46.83
		1310	52.06	23.03	51.51	29.61	50.95	36.65	50.33	43.84	49.24	50.97
		1390	54.12	25.15	54.65	32.33	54.11	39.86	53.61	47.40	52.64	55.03
1480	58.65	27.52	58.17	34.85	57.64	43.13	57.30	51.20	56.46	59.06		

● HTSR 直联式 性能表

TYPE HTSR DIRECT COUPLING PERFORMANCE TABLE

HTSR-50

型式 Type	口径 Bore	转速 rpm	排出压力		流量 Qs m³/min	轴功率 La kw	配套电机	
			kgf/cm²	kpa			型式 TYPE	功率 KW
HTSR 50	50A	1450	0.10	9.8	1.66	0.50	Y80 ₂ -4	0.75
			0.15	14.7	1.58	0.67	Y80 ₂ -4	0.75
			0.20	19.6	1.54	0.82	Y90S-4	1.1
			0.25	24.5	1.46	0.98	Y90S-4	1.1
			0.30	29.4	1.40	1.14	Y90L-4	1.5
			0.35	34.3	1.34	1.30	Y90L-4	1.5
			0.40	39.2	1.30	1.47	Y100L1-4	2.2
			0.45	44.1	1.25	1.62	Y100L1-4	2.2
			0.50	49.0	1.20	1.79	Y100L1-4	2.2
			0.55	53.9	1.16	1.96	Y100L1-4	2.2
0.60	58.8	1.14	2.15	Y100L2-4	3.0			

HTSR-125

型式 Type	口径 Bore	转速 rpm	排出压力		流量 Qs m³/min	轴功率 La kw	配套电机	
			kgf/cm²	kpa			型式 TYPE	功率 KW
HTSR 125	125A	1450	0.10	9.8	9.72	3.45	Y132S-4	5.5
			0.15	14.7	9.50	4.25	Y132S-4	5.5
			0.20	19.6	9.35	5.20	Y132M-4	7.5
			0.25	24.5	9.25	6.15	Y132M-4	7.5
			0.30	29.4	9.15	7.10	Y132M-4	7.5
			0.35	34.3	9.05	8.05	Y160M-4	11
			0.40	39.2	8.95	9.00	Y160M-4	11
			0.45	44.1	8.85	9.90	Y160L-4	15
			0.50	49.0	8.77	10.90	Y160L-4	15
			0.55	53.9	8.70	11.80	Y160L-4	15
0.60	58.8	8.60	12.80	Y160L-4	15			

HTSR-65

型式 Type	口径 Bore	转速 rpm	排出压力		流量 Qs m³/min	轴功率 La kw	配套电机	
			kgf/cm²	kpa			型式 TYPE	功率 KW
HTSR 65	65A	1450	0.10	9.8	2.31	0.63	Y80 ₂ -4	0.75
			0.15	14.7	2.22	0.88	Y90S-4	1.1
			0.20	19.6	2.14	1.12	Y90L-4	1.5
			0.25	24.5	2.07	1.34	Y90L-4	1.5
			0.30	29.4	2.00	1.60	Y100L1-4	2.2
			0.35	34.3	1.93	1.85	Y100L1-4	2.2
			0.40	39.2	1.86	2.10	Y100L2-4	3.0
			0.45	44.1	1.80	2.32	Y100L2-4	3.0
			0.50	49.0	1.74	2.54	Y100L2-4	3.0
			0.55	53.9	1.69	2.78	Y112M-4	4.0
0.60	58.8	1.63	3.00	Y112M-4	4.0			

HTSR-150

型式 Type	口径 Bore	转速 rpm	排出压力		流量 Qs m³/min	轴功率 La kw	配套电机	
			kgf/cm²	kpa			型式 TYPE	功率 KW
HTSR 150	150A	1450	0.10	9.8	22.85	10.70	Y160L-4	15
			0.15	14.7	22.70	12.75	Y160L-4	15
			0.20	19.6	22.58	14.68	Y180M-4	18.5
			0.25	24.5	22.45	16.68	Y180M-4	18.5
			0.30	29.4	22.33	18.70	Y180L-4	22
			0.35	34.3	22.23	20.80	Y180L-4	22
			0.40	39.2	22.12	22.90	Y200L-4	30
			0.45	44.1	22.01	24.85	Y200L-4	30
			0.50	49.0	21.92	26.88	Y200L-4	30
			0.55	53.9	21.83	29.00	Y225S-4	37
0.60	58.8	21.74	30.90	Y225S-4	37			

HTSR-80

型式 Type	口径 Bore	转速 rpm	排出压力		流量 Qs m³/min	轴功率 La kw	配套电机	
			kgf/cm²	kpa			型式 TYPE	功率 KW
HTSR 80	80A	1450	0.10	9.8	4.04	13.9	Y100L1-4	2.2
			0.15	14.7	3.96	1.80	Y100L1-4	2.2
			0.20	19.6	3.86	2.15	Y100L2-4	3.0
			0.25	24.5	3.80	2.52	Y100L2-4	4.0
			0.30	29.4	3.74	2.85	Y112M-4	4.0
			0.35	34.3	3.66	3.21	Y112M-4	5.5
			0.40	39.2	3.58	3.57	Y132S-4	5.5
			0.45	44.1	3.50	3.95	Y132S-4	5.5
			0.50	49.0	3.43	4.29	Y132S-4	5.5
			0.55	53.9	3.36	4.66	Y132S-4	5.5
0.60	58.8	3.30	5.02	Y132S-4	5.5			

HTSR-175

型式 Type	口径 Bore	转速 rpm	排出压力		流量 Qs m³/min	轴功率 La kw	配套电机	
			kgf/cm²	kpa			型式 TYPE	功率 KW
HTSR 175	200A	1450	0.10	9.8	34.09	13.35	Y160L-4	15
			0.15	14.7	33.70	16.40	Y180M-4	18.5
			0.20	19.6	33.38	19.32	Y180L-4	22
			0.25	24.5	33.07	22.31	Y200L-4	30
			0.30	29.4	32.79	25.32	Y200L-4	30
			0.35	34.3	32.54	28.43	Y225S-4	37
			0.40	39.2	32.29	31.52	Y225S-4	37
			0.45	44.1	32.05	34.46	Y225S-4	37
			0.50	49.0	31.84	37.49	Y225M-4	45
			0.55	53.9	31.63	40.61	Y225M-4	45
0.60	58.8	31.43	43.49	Y225M-4	45			

HTSR-100

型式 Type	口径 Bore	转速 rpm	排出压力		流量 Qs m³/min	轴功率 La kw	配套电机	
			kgf/cm²	kpa			型式 TYPE	功率 KW
HTSR 100	100A	1450	0.10	9.8	6.19	2.17	Y100L2-4	3.0
			0.15	14.7	6.34	2.76	Y100L2-4	3.0
			0.20	19.6	6.21	3.38	Y112M-4	4.0
			0.25	24.5	6.08	3.95	Y132S-4	5.5
			0.30	29.4	5.96	4.59	Y132S-4	5.5
			0.35	34.3	5.85	5.20	Y132M-4	7.5
			0.40	39.2	5.74	5.83	Y132M-4	7.5
			0.45	44.1	5.64	6.48	Y132M-4	7.5
			0.50	49.0	5.54	7.05	Y160M-4	11
			0.55	53.9	5.44	7.69	Y160M-4	11
0.60	58.8	5.35	8.39	Y160M-4	11			

HTSR-200

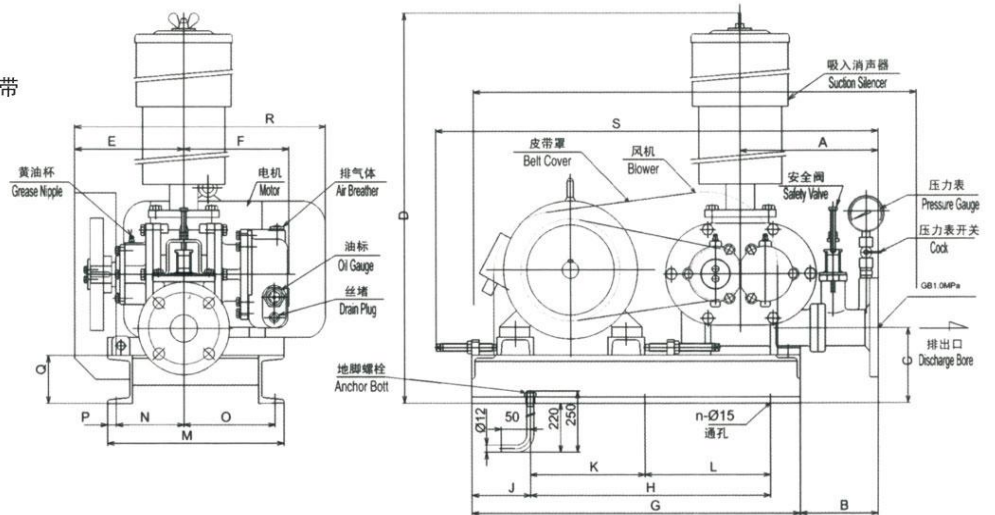
型式 Type	口径 Bore	转速 rpm	排出压力		流量 Qs m³/min	轴功率 La kw	配套电机	
			kgf/cm²	kpa			型式 TYPE	功率 KW
HTSR 200	200A	1480	0.10	9.8	59.20	23.80	Y200L-4	30
			0.15	14.7	58.83	28.96	Y200L-4	30
			0.20	19.6	58.46	34.37	Y225S-4	37
			0.25	24.5	58.24	40.42	Y225M-4	45
			0.30	29.4	58.02	46.58	Y250M-4	55
			0.35	34.3	57.89	52.36	Y250M-4	55
			0.40	39.2	57.76	58.19	Y280S-4	75
			0.45	44.1	57.57	63.62	Y280S-4	75
			0.50	49.0	57.37	68.98	Y280S-4	75
			0.55	53.9	57.22	74.22	Y280M-4	90
0.60	58.8	57.08	80.18	Y280M-4	90			

● HTSR 外形尺寸图

TYPE HTSR OUTLINE DIMENSIONS

★ 附属品内容

- 通用底座
- 皮带罩
- 风机皮带轮、电机带轮、V形皮带
- 吸入消声器（带过滤器）
- 安全阀
- 压力表
- 润滑油
- 地脚螺栓



单位/mm Unit/mm

型式 Type	记号 Mark	口径 Bore	A	B	C	D	E	F	G	H	J	K
HTSR-50		50A	230	130	125	895	185	179	560	410	100	-
HTSR-65		65A	230	130	135	970	205	202	600	450	100	-
HTSR-80		80A	280	170	150	1130	220	225	650	500	100	-
HTSR-100		100A	280	155	160	1255	260	265	730	580	100	-
HTSR-125		125A	355	205	190	1515	295	294	860	700	110	350
HTSR-150		150A	400	235	210	1730	370	377	960	750	160	400
HTSR-175		200A	520	355	230	1775	465	457	1100	840	160	420
HTSR-200		200A	591	378	256	2210	525	550	1280	1000	180	500
型式 Type	记号 Mark	口径 Bore	L	M	N	O	P	Q	n	R	S	重量(kg) Weight
HTSR-50		50A	-	300	115	155	15	80	4	450	730	70
HTSR-65		65A	-	340	135	175	15	80	4	500	780	81
HTSR-80		80A	-	360	130	200	15	80	4	530	860	123
HTSR-100		100A	-	470	170	270	15	80	4	600	930	157
HTSR-125		125A	350	470	185	255	15	100	6	710	1230	235
HTSR-150		150A	350	590	250	300	20	100	6	860	1335	394
HTSR-175		200A	420	720	325	355	20	100	6	1045	1600	495
HTSR-200		200A	500	755	360	345	25	126	6	1080	1765	860

注：重量中不包括电机重量

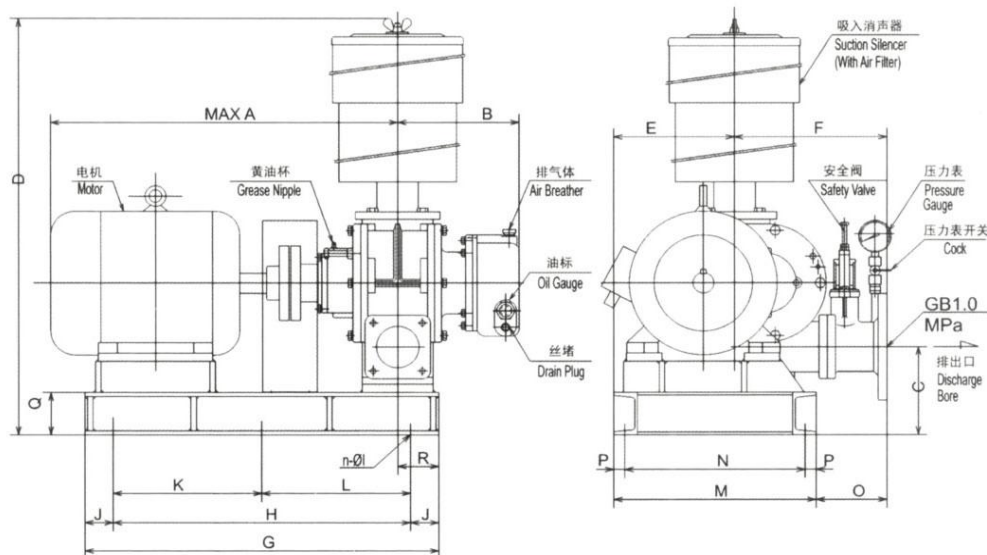
Note: The weights given do not include the motor.

● HTSR 直联式 外形尺寸图

TYPE HTSR DIRECT COUPLING OUTLING DIMENSIONS

★ 附属品内容

- 通用底座
- 皮带罩
- 风机皮带轮、电机带轮、V形皮带
- 吸入消声器（带过滤器）
- 安全阀
- 压力表
- 润滑油
- 地脚螺栓



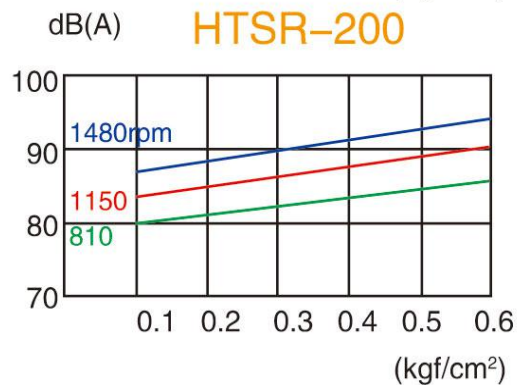
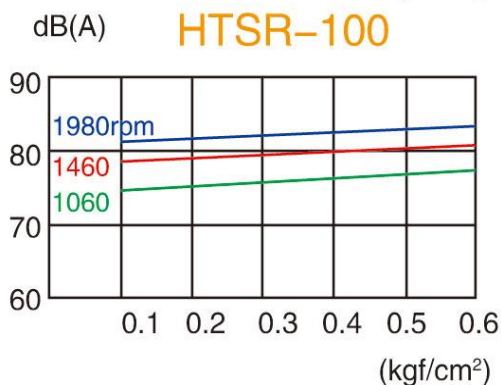
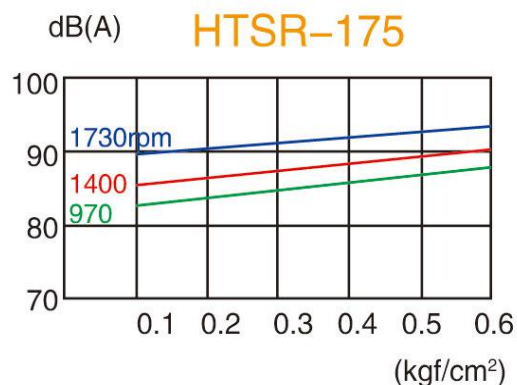
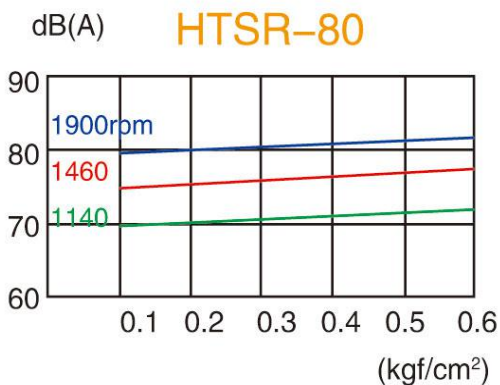
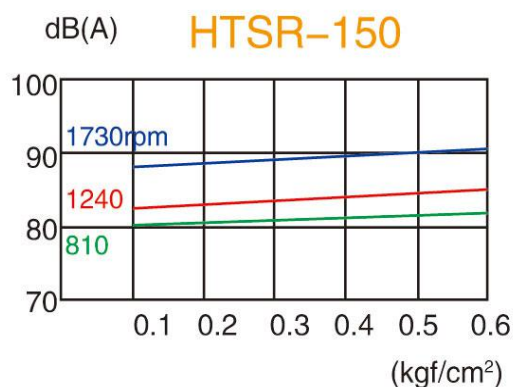
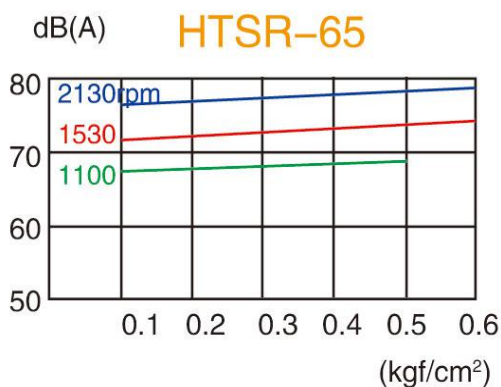
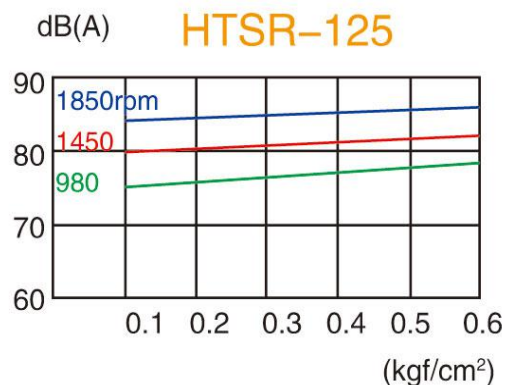
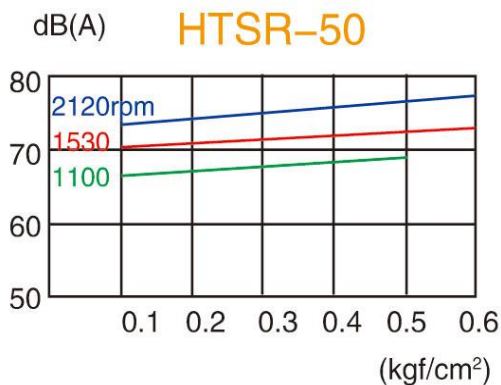
单位/mm Unit/mm

型式 Type	记号 Mark	口径 Bore	A	B	C	D	E	F	G	H	J
HTSR-50	50A	570	179	135	895	152	230	540	420	60	
HTSR-65	65A	610	202	145	970	192	230	600	440	80	
HTSR-80	80A	700	225	165	1130	217	280	650	500	75	
HTSR-100	100A	900	265	175	1255	234	280	850	630	110	
HTSR-125	125A	945	294	205	1525	260	345	920	710	105	
HTSR-150	150A	1155	377	225	1745	305	385	1150	950	100	
HTSR-175	200A	1300	457	245	1765	305	505	1330	1030	150	
HTSR-200	200A	1570	550	276	2230	405	593	1600	1300	150	

型式 Type	记号 Mark	口径 Bore	K	L	M	N	O	P	Q	R	n-φ1	重量(kg) Weight
HTSR-50	50A	-	-	260	220	122	20	80	60	4-φ14	72	
HTSR-65	65A	-	-	300	260	122	20	80	80	4-φ14	84	
HTSR-80	80A	-	-	370	330	147	20	80	75	4-φ19	132	
HTSR-100	100A	-	-	400	360	114	20	80	110	4-φ19	168	
HTSR-125	125A	355	355	430	390	175	20	100	105	6-φ19	245	
HTSR-150	150A	475	475	500	455	190	22.5	100	165	6-φ19	408	
HTSR-175	200A	515	515	500	455	310	22.5	100	240	6-φ19	505	
HTSR-200	200A	650	650	650	605	348	22.5	126	240	6-φ19	900	

● HTSR 噪音值

TYPE HTSR NOISE LEVEL



● 噪音值 dB(A) 机侧 1.0m
NOISE LEVEL dB(A) Machine Side 1.0m

注：上述数据是在本公司测定的数据

Note: There values are based on the measurements taken in our shop

HTSR-HB 高压型 性能表

TYPE HTSR-HB PERFORMANCE TABLE

Qs: 进风状态风量(m³/min)
Suction-phase Air Volume(m³/min)

La: 所需动力(kW)
Required electric power(kW)



型式 Type	口径 Bore	转速 rpm	排出压力(kgf/cm²) Discharge Pressure																转速 rpm
			0.30		0.40		0.50		0.60		0.65		0.70		0.75		0.80		
			29.4kPa		39.2kPa		49kPa		58.8kPa		63.7kPa		68.6kPa		73.5kPa		78.4kPa		
			Qs	La	Qs	La	Qs	La	Qs	La	Qs	La	Qs	La	Qs	La	Qs	La	
HTSR 50H	50A	1530	1.52	1.34	1.42	1.69	1.34	2.03	1.27	2.38	1.24	2.56							1530
		1640	1.67	1.47	1.58	1.84	1.50	2.21	1.42	2.58	1.39	2.77							1640
		1730	1.80	1.57	1.70	1.96	1.62	2.36	1.55	2.75	1.51	2.95							1730
		1840	1.95	1.71	1.86	2.12	1.78	2.54	1.70	2.96	1.66	3.17	1.62	3.38					1840
		1950	2.11	1.85	2.01	2.29	1.93	2.73	1.85	3.18	1.81	3.41	1.77	3.63					1950
		2120	2.34	2.07	2.25	2.55	2.17	3.03	2.09	3.52	2.05	3.76	2.01	3.99	1.97	4.20			2120
		2300	2.59	2.33	2.50	2.84	2.42	3.35	2.34	3.86	2.30	4.11	2.26	4.37	2.22	4.59	2.18	4.80	2300
HTSR 65H	65A	1530	2.14	1.72	2.02	2.25	1.90	2.72	1.79	3.20									1530
		1640	2.36	1.89	2.24	2.46	2.12	2.95	2.01	3.46	1.96	3.86							1640
		1740	2.56	2.04	2.44	2.64	2.32	3.16	2.21	3.70	2.16	4.11							1740
		1820	2.72	2.16	2.60	2.79	2.48	3.33	2.37	3.90	2.32	4.37	2.26	4.66					1820
		1940	2.96	2.35	2.83	3.02	2.71	3.59	2.61	4.20	2.56	4.70	2.50	5.01					1940
		2130	3.33	2.65	3.21	3.35	3.09	4.00	2.99	4.66	2.94	5.20	2.88	5.55	2.83	5.88			2130
		2300	3.51	2.94	3.38	3.83	3.28	4.49	3.16	5.33	3.11	5.70	3.07	6.12	3.02	6.56	2.97	6.88	2300
HTSR 80H	80A	1460	3.65	3.11	3.49	3.88	3.34	4.64	3.20	5.40	3.13	5.78	3.06	6.16					1460
		1560	3.95	3.35	3.82	4.17	3.67	4.99	3.53	5.79	3.46	6.19	3.39	6.59	3.32	6.99			1560
		1650	4.28	3.56	4.12	4.44	3.96	5.30	3.82	6.15	3.75	6.58	3.68	7.00	3.61	7.43			1650
		1730	4.55	3.76	4.39	4.67	4.23	5.57	4.09	6.47	4.02	6.92	3.95	7.37	3.88	7.82	3.81	8.27	1730
		1820	4.84	3.97	4.68	4.94	4.52	5.88	4.38	6.82	4.31	7.29	4.24	7.76	4.17	8.23	4.10	8.70	1820
		1900	5.11	4.16	4.95	5.17	4.79	6.16	4.65	7.40	4.58	7.63	4.51	8.12	4.44	8.61	4.37	9.10	1900
		2100	5.75	4.68	5.61	5.85	5.44	7.10	5.31	7.93	5.24	8.47	5.17	9.02	5.10	9.56	5.03	10.10	2100
HTSR 100H	100A	1310	5.18	4.05	4.95	5.18	4.74	6.30	4.55	7.48	4.45	8.17	4.38	8.73					1310
		1460	6.00	4.62	5.78	5.87	5.58	7.10	5.39	8.45	5.30	9.21	5.20	9.83	5.11	10.46			1460
		1540	6.40	4.98	6.19	6.30	5.99	7.61	5.81	9.00	5.72	9.78	5.62	10.11	5.53	11.10			1540
		1680	7.13	5.62	6.92	7.08	6.73	8.50	6.55	10.03	6.46	10.79	6.37	11.51	6.28	12.23	6.19	12.95	1680
		1780	7.62	6.10	7.42	7.63	7.23	9.15	7.06	10.71	6.98	11.55	6.89	12.32	6.81	13.09	6.72	13.86	1780
		1880	8.15	6.55	7.95	8.18	7.77	9.80	7.60	11.42	7.52	12.28	7.43	13.08	7.35	13.89	7.26	14.69	1880
		1980	8.65	7.01	8.46	8.75	8.28	10.45	8.12	12.13	8.04	13.04	7.95	13.89	7.87	14.74	7.78	15.59	1980
		2100	9.28	7.57	9.09	9.34	8.91	11.10	8.75	12.93	8.67	13.83	8.58	14.73	8.50	15.64	8.41	16.54	2100
		2200	9.81	8.07	9.62	9.92	9.44	11.76	9.28	13.60	9.19	14.55	9.11	15.49	9.02	16.44	8.94	17.38	2200
型式 Type	口径 Bore	转速 rpm	排出压力(kgf/cm²) Discharge Pressure																转速 rpm
			29.4kPa		39.2kPa		49kPa		58.8kPa		63.7kPa		68.6kPa		73.5kPa		78.4kPa		
			0.30		0.40		0.50		0.60		0.65		0.70		0.75		0.80		
			Qs	La	Qs	La	Qs	La	Qs	La	Qs	La	Qs	La	Qs	La	Qs	La	



● HTSR-HB 高压型 性能表

TYPE HTSR-HB PERFORMANCE TABLE



型式 Type	口径 Bore	转速 rpm	排出压力(kgf/cm ²) Discharge Pressure																转速 rpm
			0.30		0.40		0.50		0.60		0.65		0.70		0.75		0.80		
			29.4kPa		39.2kPa		49kPa		58.8kPa		63.7kPa		68.6kPa		73.5kPa		78.4kPa		
			Qs	La	Qs	La	Qs	La	Qs	La	Qs	La	Qs	La	Qs	La	Qs	La	
HTSR 125HB	125A	1200	7.45	5.50	7.25	7.10	7.00	8.65	6.88	10.25	6.80	11.03	6.72	11.80	6.64	12.58	6.56	13.35	1200
		1310	8.19	6.20	8.00	7.90	7.82	8.65	7.64	11.40	7.56	12.25	7.48	13.10	7.40	13.95	7.32	14.80	1310
		1390	8.74	6.70	8.54	8.50	8.37	10.35	8.20	12.20	8.12	13.11	8.04	14.02	7.95	14.93	7.87	15.84	1390
		1450	9.15	7.10	8.95	9.00	8.77	10.90	8.60	12.80	8.52	13.75	8.43	14.69	8.35	15.64	8.26	16.58	1450
		1530	9.70	7.65	9.50	9.60	9.33	11.60	9.15	13.60	9.07	14.50	8.98	15.60	8.89	16.60	8.80	17.60	1530
		1630	10.37	8.35	10.17	10.35	10.01	12.40	9.85	14.60	9.77	15.68	9.67	16.76	9.58	17.84	9.48	18.92	1630
		1750	11.18	9.18	10.99	11.26	10.83	13.38	10.66	15.80	10.57	16.92	10.47	18.04	10.38	19.16	10.28	20.28	1750
		1850	11.85	9.88	11.66	12.02	11.50	14.20	11.34	16.85	11.25	18.03	11.15	19.21	11.06	20.38	10.96	21.47	1850
		2000	12.85	11.09	12.66	13.60	12.50	16.21	12.34	18.76	12.25	20.04	12.15	21.33	12.06	22.61	11.96	23.90	2000
HTSR 150HB	150A	860	12.03	9.30	11.75	11.70	11.54	14.25	11.27	16.80	11.14	17.79	11.01	18.99	10.88	20.19	10.75	21.39	860
		970	13.95	11.05	13.70	13.80	13.50	16.60	13.23	19.40	13.10	21.47	12.97	22.91	12.84	24.36	12.71	25.80	970
		1110	16.37	13.10	16.15	16.50	15.95	19.60	15.70	22.80	15.57	25.09	15.44	26.76	15.31	28.43	15.18	30.09	1110
		1180	17.59	14.40	17.37	17.80	17.17	21.10	16.97	24.40	16.84	26.36	16.71	28.24	16.58	30.13	16.45	31.82	1180
		1240	18.63	15.40	18.43	18.90	18.23	22.40	18.03	25.80	17.90	27.75	17.77	29.58	17.64	31.41	17.51	33.19	1240
		1400	21.40	17.90	21.20	21.90	21.05	25.80	20.87	29.70	20.74	33.36	20.61	35.88	20.48	37.99	20.35	40.11	1400
		1520	23.40	20.15	23.21	24.60	23.04	28.90	22.82	33.30	22.69	35.77	22.54	38.16	22.41	40.43	22.28	42.71	1520
		1620	24.86	22.60	24.68	27.40	24.48	32.05	24.27	36.90	24.14	40.05	24.04	43.34	23.88	45.81	23.75	48.28	1620
		1730	26.48	25.30	26.27	30.40	26.08	35.55	25.87	40.80	25.74	44.83	25.61	47.61	25.48	50.29	25.35	52.97	1730
1900	29.13	28.96	28.94	34.56	28.75	40.34	28.56	45.16	28.37	47.85	28.18	50.52	27.99	53.38	27.90	56.41	1900		
HTSR 200HB	200A	810	29.55	20.68	28.89	26.94	28.22	33.16	27.63	39.05	27.28	47.32	26.95	45.38	26.64	48.50	26.35	51.75	810
		900	33.66	24.00	33.05	30.93	32.34	37.83	31.71	44.38	31.47	47.66	31.16	51.25	30.83	54.50	30.52	57.83	900
		980	37.34	27.18	36.77	34.55	36.03	42.02	35.34	49.38	35.03	53.01	34.70	56.75	34.36	60.58	34.03	64.25	980
		1070	41.44	30.03	40.97	38.68	40.15	46.82	39.42	54.95	38.37	58.85	39.15	63.75	38.95	67.35	38.77	71.46	1070
		1150	45.07	32.71	44.60	42.02	43.78	50.98	43.06	59.74	43.01	64.35	42.76	68.65	42.47	73.36	42.33	77.69	1150
		1230	48.22	36.26	47.78	46.08	47.08	55.53	46.44	64.80	46.42	69.39	46.21	74.26	46.02	78.81	45.85	83.56	1230
		1310	51.38	39.66	50.99	50.18	50.40	59.96	49.83	69.72	49.73	74.82	49.51	79.78	49.30	84.72	49.15	89.74	1310
		1390	54.49	42.92	54.16	54.22	53.68	64.48	53.24	74.60	53.00	79.65	52.83	84.91	52.71	90.25	52.58	95.58	1390
		1480	58.02	46.58	57.76	58.19	57.37	68.98	57.08	80.18	56.97	85.68	56.85	91.36	56.71	96.78	56.56	102.45	1480
型式 Type	口径 Bore	转速 rpm	排出压力(kgf/cm ²) Discharge Pressure																转速 rpm
			0.10		0.20		0.30		0.40		0.50		0.60		0.70		0.80		
			9.8kPa		19.6kPa		29.4kPa		39.2kPa		49kPa		58.8kPa		68.6kPa		78.4kPa		
			Qs	La	Qs	La	Qs	La	Qs	La	Qs	La	Qs	La	Qs	La	Qs	La	
HTSR 250HB	250A	900	57.03	17.18	54.35	27	52.13	38.05	50.43	50.43	49.25	60.00	48.30	70.08	47.65	81.80	46.60	91.08	900
		980	62.75	18.7	60	30.78	57.85	42.65	56.25	56.25	55.23	66.82	54.23	79.01	53.50	91.08	52.58	101.66	980
		1070	69.13	21	66.33	34.15	64.28	47.88	62.75	62.75	61.70	74.45	60.80	88.00	60.08	101.10	59.15	113.5	1070
		1160	75.31	23.78	72.65	38.22	70.71	53.00	69.27	69.27	68.28	82.23	67.40	96.95	66.60	111.35	65.8	125.32	1160
		1240	80.84	26	78.3	41.66	76.05	57.45	74.75	74.75	73.60	89.05	72.66	104.78	72.01	120.45	71.75	135.65	1240
		1350	88.52	29.57	86.10	46.33	84.40	64.00	83.12	83.12	82.20	97.65	81.35	115.68	80.55	133.12	79.95	150.45	1350

Qs: 进风状态风量(m³/min) Suction-phase Air Volume(m³/min)
 La: 所需动力(kW) Required electric power(kW)

● HTSR-VHB 真空性能表

TYPE HTSR-VHB VACUUM PERFORMANCE TABLE

0.75kW
 1.1kW
 1.5kW
 2.2kW
 3kW
 4kW
 5.5kW
 7.5kW
 11kW
 15kW
 18.5kW
 22kW
 30kW
 37kW
 45kW
 55kW
 75kW
 90kW

Qs: 进风状态风量(m³/min)

Suction-phase Air Volume(m³/min)

La: 所需动力(kW)

Required electric power(kW)

型式 Type	口径 Bore	真空度 Vacuum pressure	-100mmHg		-150mmHg		-200mmHg		-250mmHg		-300mmHg		-330mmHg		真空度 Vacuum pressure
		转速 rpm	-1360mmAq		-2040mmAq		-2720mmAq		-3400mmAq		-4080mmAq		-4488mmAq		
			Qs	La	Qs	La	Qs	La	Qs	La	Qs	La	Qs	La	
HTSR-50VH	吸入口径 40A 吐出口径 1.0MPa-50A	1100	1.12	0.36	1.03	0.55	0.94	0.74	0.86	0.93					1100
		1230	1.29	0.47	1.20	0.67	1.10	0.88	1.02	1.08					1230
		1350	1.45	0.58	1.36	0.80	1.26	1.02	1.16	1.24					1350
		1470	1.62	0.74	1.54	0.96	1.45	1.18	1.35	1.40	1.25	1.62	1.21	1.75	1470
		1560	1.76	0.86	1.69	1.09	1.60	1.31	1.50	1.54	1.37	1.76	1.31	1.89	1560
		1660	1.88	0.93	1.81	1.17	1.71	1.41	1.61	1.66	1.48	1.90	1.42	2.04	1660
		1750	1.99	0.99	1.92	1.27	1.82	1.50	1.71	1.76	1.58	2.02	1.52	2.17	1750
		1850	2.12	1.13	2.05	1.39	1.95	1.65	1.84	1.91	1.71	2.17	1.64	2.32	1850
		1960	2.27	1.28	2.20	1.55	2.10	1.81	1.99	2.08	1.90	2.34	1.85	2.50	1960
		2120	2.46	1.56	2.38	1.84	2.27	2.21	2.15	2.40	2.02	2.67	1.95	2.83	2120
2300	2.67	1.79	2.59	2.10	2.48	2.50	2.37	2.70	2.27	3.05	2.23	3.21	2300		
HTSR-65VH	吸入口径 50A 吐出口径 1.0MPa-65A	1100	1.57	0.75	1.43	0.98	1.30	1.21	1.16	1.45					1100
		1240	1.83	0.84	1.69	1.09	1.54	1.35	1.40	1.61					1240
		1360	2.08	0.95	1.93	1.24	1.78	1.52	1.64	1.81					1360
		1460	2.27	1.05	2.13	1.35	1.99	1.65	1.84	1.96	1.70	2.26	1.61	2.44	1460
		1550	2.47	1.13	2.32	1.45	2.17	1.77	2.03	2.09	1.88	2.41	1.80	2.60	1550
		1670	2.70	1.24	2.56	1.58	2.42	1.93	2.27	2.28	2.13	2.62	2.05	2.83	1670
		1770	2.90	1.32	2.76	1.69	2.62	2.06	2.49	2.43	2.35	2.79	2.27	3.03	1770
		1860	3.08	1.44	2.94	1.82	2.80	2.20	2.65	2.59	2.51	2.98	2.44	3.20	1860
		1960	3.33	1.60	3.18	2.00	3.03	2.41	2.89	2.81	2.74	3.23	2.72	3.47	1960
		2150	3.57	1.84	3.43	2.28	3.30	2.72	3.16	3.16	3.02	3.60	2.92	3.86	2150
2300	3.80	2.10	3.65	2.54	3.49	3.05	3.34	3.51	3.18	3.95	3.09	4.21	2300		
HTSR-80VH	吸入口径 65A 吐出口径 1.0MPa-80A	1130	2.92	1.01	2.79	1.46	2.65	1.90	2.50	2.35					1130
		1240	3.29	1.17	3.15	1.66	3.00	2.14	2.85	2.63	2.69	3.11	2.62	3.40	1240
		1300	3.49	1.30	3.35	1.80	3.20	2.30	3.05	2.80	2.89	3.30	2.82	3.60	1300
		1370	3.73	1.44	3.59	1.96	3.44	2.49	3.29	3.01	3.13	3.53	3.06	3.84	1370
		1470	4.03	1.60	3.89	2.16	3.74	2.73	3.59	3.30	3.43	3.86	3.35	4.20	1470
		1570	4.35	1.82	4.21	2.40	4.07	2.99	3.92	3.57	3.77	4.16	3.66	4.51	1570
		1660	4.64	2.01	4.51	2.62	4.37	3.24	4.22	3.85	4.06	4.46	3.96	4.82	1660
		1750	4.95	2.23	4.81	2.85	4.67	3.48	4.53	4.11	4.38	4.73	4.27	5.10	1750
		1840	5.23	2.42	5.10	3.09	4.96	3.75	4.81	4.42	4.65	5.09	4.55	5.48	1840
		1930	5.53	2.64	5.40	3.33	5.26	4.05	5.11	4.72	4.95	5.41	4.85	5.82	1930
2100	6.09	2.88	5.96	3.65	5.82	4.42	5.65	5.19	5.49	5.96	5.41	6.42	2100		
2300	6.75	3.27	6.62	4.12	6.48	4.96	6.31	5.80	6.15	6.65	6.07	7.14	2300		
HTSR-100VH	吸入口径 80A 吐出口径 1.0MPa-100A	1070	4.35	1.56	4.06	2.24	3.80	2.92	3.57	3.60					1070
		1160	4.83	1.80	4.56	2.53	4.29	3.27	4.03	4.04	3.78	4.72	3.63	5.15	1160
		1240	5.27	1.97	4.99	2.74	4.72	3.52	4.46	4.29	4.20	5.07	4.07	5.52	1240
		1320	5.80	2.09	5.54	2.94	5.27	3.79	5.04	4.64	4.74	5.48	4.58	6.00	1320
		1480	6.51	2.27	6.28	3.19	6.05	4.14	5.82	5.05	5.60	5.97	5.47	6.51	1480
		1580	6.99	2.45	6.77	3.43	6.55	4.44	6.33	5.44	6.10	6.40	5.96	6.98	1580
		1700	7.57	2.66	7.37	3.72	7.16	4.78	6.95	5.86	6.73	6.92	6.60	7.56	1700
		1790	8.00	2.87	7.81	3.95	7.60	5.07	7.38	6.19	7.15	7.27	7.01	7.93	1790
		1890	8.47	3.03	8.29	4.21	8.09	5.39	7.88	6.56	7.66	7.74	7.53	8.45	1890
		2010	9.09	3.23	8.92	4.48	8.75	5.74	8.57	7.00	8.38	8.26	8.27	9.03	2010
2200	10.07	3.56	9.91	5.00	9.63	6.37	9.33	7.79	9.06	9.13	8.89	9.95	2200		
型式 Type	口径 Bore	转速 rpm	Qs	La	Qs	La	Qs	La	Qs	La	Qs	La	Qs	La	转速 rpm
		真空度 Vacuum pressure	-1360mmAq		-2040mmAq		-2720mmAq		-3400mmAq		-4080mmAq		-4488mmAq		真空度 Vacuum pressure
			-100mmHg		-150mmHg		-200mmHg		-250mmHg		-300mmHg		-330mmHg		

● HTSR-VHB 真空性能表

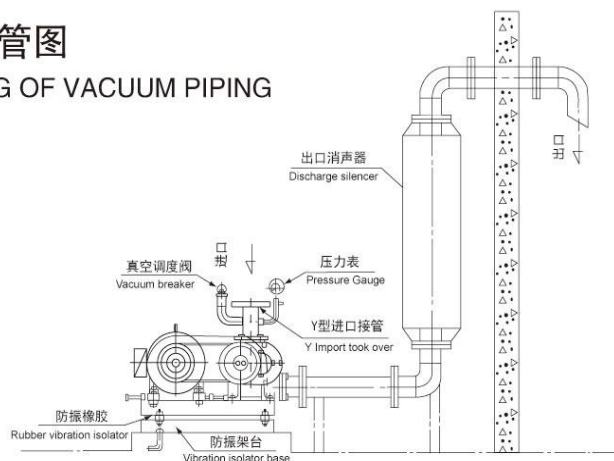
TYPE HTSR-VHB VACUUM PERFORMANCE TABLE

1.1kW
1.5kW
2.2kW
3kW
4kW
5.5kW
7.5kW
11kW
15kW
18.5kW
22kW
30kW
37kW
45kW
55kW
75kW
90kW
110kW

型式 Type	口径 Bore	真空度 Vacuum pressure 转速 rpm	-100mmHg		-150mmHg		-200mmHg		-250mmHg		-300mmHg		-330mmHg		真空度 Vacuum pressure 转速 rpm
			-1360mmAq		-2040mmAq		-2720mmAq		-3400mmAq		-4080mmAq		-4488mmAq		
			Qs	La	Qs	La	Qs	La	Qs	La	Qs	La	Qs	La	
HTSR-125 VHB	吸入口径 100A 吐出口径 1.0MPa-125A	980	6.24	2.27	5.97	3.17	5.70	4.07	5.42	4.97	5.14	5.86	5.01	6.40	980
		1050	6.75	2.60	6.48	3.53	6.21	4.47	5.94	5.41	5.66	6.35	5.61	6.89	1050
		1200	7.77	3.26	7.51	4.31	7.25	5.37	6.98	6.42	6.69	7.47	6.58	8.08	1200
		1310	8.57	3.71	8.36	4.87	8.13	6.02	7.88	7.18	7.61	8.33	7.44	9.00	1310
		1410	9.27	4.05	9.05	5.29	8.82	6.53	8.57	7.77	8.30	9.00	8.15	9.73	1410
		1470	9.70	4.37	9.48	5.66	9.25	6.95	9.02	8.23	8.78	9.50	8.50	10.28	1470
		1550	10.37	4.62	10.10	5.98	9.82	7.34	9.58	8.70	9.33	10.10	9.13	10.92	1550
		1650	11.00	5.18	10.70	6.64	10.50	8.11	10.30	9.58	10.10	11.10	9.64	11.93	1650
		1770	11.80	5.70	11.50	7.23	11.30	8.75	11.10	10.30	10.90	11.80	10.38	12.71	1770
		1880	12.50	6.25	12.30	7.86	12.00	9.46	11.80	11.10	11.60	12.70	11.16	13.66	1880
2000	13.37	6.84	13.17	8.55	12.85	10.27	12.51	11.97	12.21	13.69	12.04	14.72	2000		
HTSR-150 VHB	吸入口径 125A 吐出口径 1.0MPa-150A	810	12.60	3.51	12.20	4.83	11.80	6.72	11.40	8.61	11.00	0.50	10.75	11.61	810
		870	13.80	4.12	13.30	6.00	12.80	7.80	12.30	9.77	11.80	11.70	11.50	12.74	870
		990	15.60	4.46	15.10	6.58	14.60	8.70	14.20	10.80	13.80	12.90	13.60	14.17	990
		1120	17.70	6.61	17.30	8.94	16.80	11.30	16.30	13.60	15.80	15.90	15.55	17.30	1120
		1200	19.20	7.57	18.70	9.93	18.20	12.30	17.80	14.70	17.30	17.00	16.93	18.48	1200
		1270	20.30	8.40	19.90	10.80	19.50	13.20	19.10	15.60	18.70	18.00	18.09	19.42	1270
		1410	22.50	10.50	22.10	13.20	21.70	15.90	21.30	18.60	20.90	21.30	20.69	22.90	1410
		1540	24.70	12.50	24.20	15.40	23.70	18.30	23.20	21.20	22.70	24.00	22.25	25.70	1540
		1670	26.50	14.30	26.00	17.40	25.50	20.50	25.00	23.50	24.50	26.60	24.22	28.41	1670
		1780	27.80	15.90	27.30	19.20	26.80	22.50	26.30	25.80	25.70	29.10	25.51	31.07	1780
1900	29.25	17.77	28.81	21.09	27.91	24.83	27.34	28.45	26.72	32.26	26.47	33.93	1900		
HTSR-200 VHB	吸入口径 200A 吐出口径 1.0MPa-200A	810	31.07	10.38	29.92	14.89	29.01	18.96	28.16	23.20	27.08	27.43	25.72	29.85	810
		900	34.92	12.49	33.98	17.37	33.17	22.01	32.28	26.82	31.16	31.49	29.76	34.30	900
		980	38.39	14.40	37.24	19.66	36.85	24.80	35.97	30.06	35.10	35.14	34.60	38.19	980
		1070	42.37	16.59	41.02	21.61	40.91	27.72	40.09	33.57	38.86	39.32	36.37	42.81	1070
		1150	45.90	18.61	45.25	24.06	44.65	30.15	43.72	36.36	42.50	42.76	40.96	46.16	1150
		1230	49.01	20.58	48.38	26.74	47.79	33.47	47.02	40.25	45.87	46.83	43.78	50.74	1230
		1310	52.26	23.03	51.61	29.61	50.95	36.65	50.33	43.84	49.24	50.97	46.60	55.13	1310
		1390	55.22	25.15	54.65	32.33	54.11	39.86	53.61	47.40	52.64	55.06	49.44	59.57	1390
		1480	58.65	27.52	58.17	34.85	57.64	43.13	57.05	51.20	56.46	59.06	52.61	63.76	1480
		HTSR-250 VHB	250A	900	55.7	20.72	53.24	27.1	51.28	36.23	49.15	43.78	47.15	49.50	46.73
980	61.43			22.05	58.95	30.98	57.05	40.33	55.03	48.83	53.00	55.51	52.68	60.92	980
1070	67.72			25.83	65.3	34.5	63.52	45.88	61.03	54.56	59.60	61.53	59.35	67.84	1070
1160	73.95			28.98	71.64	38.77	69.99	50.92	68.15	60.23	66.10	67.65	65.90	74.84	1160
1240	79.59			31.64	77.19	41.96	75.40	55.50	73.20	65.27	71.60	73.48	71.10	81.07	1240
1350	87.31			35.61	85.23	46.68	83.60	62.10	82.00	72.33	79.80	81.00	79.50	89.16	1350

真空配管图

DRAWING OF VACUUM PIPING



HTSR-HB 高压型直联式性能表

TYPE HTSR-HB DIRECT COUPLING PERFORMANCE TABLE

HTSR-80H

型式 Type	口径 Bore	转速 rpm	排出压力		流量 Qs m³/min	轴功率 La kw	配套电机	
			kgf/cm²	kpa			型式 Type	功率 KW
HTSR 80H	80A	1450	0.30	29.4	3.74	2.85	Y112M-4	4.0
			0.35	34.3	3.66	3.21	Y112M-4	4.0
			0.40	39.2	3.58	3.57	Y132S-4	5.5
			0.45	44.1	3.50	3.95	Y132S-4	5.5
			0.50	49.0	3.43	4.29	Y132S-4	5.5
			0.55	53.9	3.36	4.66	Y132S-4	5.5
			0.60	58.8	3.30	5.02	Y132S-4	5.5
			0.65	63.7	3.13	5.78	Y132M-4	7.5
			0.70	68.6	3.06	6.16	Y132M-4	7.5
			0.75	73.5	2.99	6.54	Y132M-4	7.5
0.80	78.4	2.92	6.92	Y132M-4	7.5			

HTSR-100H

型式 Type	口径 Bore	转速 rpm	排出压力		流量 Qs m³/min	轴功率 La kw	配套电机	
			kgf/cm²	kpa			型式 Type	功率 KW
HTSR 100H	100A	1450	0.30	29.4	5.96	4.59	Y132S-4	5.5
			0.35	34.3	5.85	5.20	Y132M-4	7.5
			0.40	39.2	5.74	5.83	Y132M-4	7.5
			0.45	44.1	5.64	6.48	Y132M-4	7.5
			0.50	49.0	5.54	7.05	Y160M-4	11
			0.55	53.9	5.44	7.69	Y160M-4	11
			0.60	58.8	5.35	8.39	Y160M-4	11
			0.65	63.7	5.30	9.21	Y160M-4	11
			0.70	68.6	5.20	9.83	Y160M-4	11
			0.75	73.5	5.11	10.46	Y160L-4	15
0.80	78.4	5.01	11.08	Y160L-4	15			

HTSR-125HB

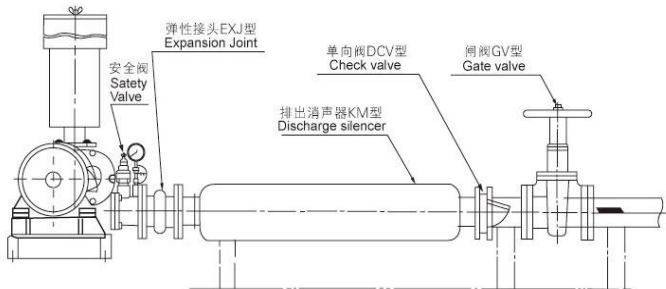
型式 Type	口径 Bore	转速 rpm	排出压力		流量 Qs m³/min	轴功率 La kw	配套电机	
			kgf/cm²	kpa			型式 Type	功率 KW
HTSR 125 HB	125A	1450	0.30	29.4	9.15	7.10	Y132M-4	7.5
			0.35	34.3	9.05	8.05	Y160M-4	11
			0.40	39.2	8.95	9.00	Y160M-4	11
			0.45	44.1	8.85	9.90	Y160L-4	15
			0.50	49.0	8.77	10.90	Y160L-4	15
			0.55	53.9	8.70	11.80	Y160L-4	15
			0.60	58.8	8.60	12.80	Y160L-4	15
			0.65	63.7	8.52	13.75	Y180M-4	18.5
			0.70	68.6	8.43	14.69	Y180M-4	18.5
			0.75	73.5	8.35	15.64	Y180M-4	18.5
0.80	78.4	8.26	16.58	Y180M-4	18.5			

HTSR-150HB

型式 Type	口径 Bore	转速 rpm	排出压力		流量 Qs m³/min	轴功率 La kw	配套电机	
			kgf/cm²	kpa			型式 Type	功率 KW
HTSR 150 HB	150A	1450	0.30	29.4	22.33	18.70	Y180L-4	22
			0.35	34.3	22.23	20.80	Y180L-4	22
			0.40	39.2	22.12	22.90	Y200L-4	30
			0.45	44.1	22.01	24.85	Y200L-4	30
			0.50	49.0	21.92	26.88	Y200L-4	30
			0.55	53.9	21.83	29.00	Y225S-4	37
			0.60	58.8	21.74	30.90	Y225S-4	37
			0.65	63.7	21.65	32.90	Y225S-4	37
			0.70	68.6	21.57	34.88	Y225S-4	37
			0.75	73.5	21.49	36.85	Y225M-4	45
0.80	78.4	21.41	38.87	Y225M-4	45			

联轴器传动配管图

COUPLING TRANSMISSION DRAWING OF PIPING



注：DCV型单向阀必须安装在水平管路上。
Note: Make sure that the piping of check valve type DCV is horizontal

HTSR-200HB

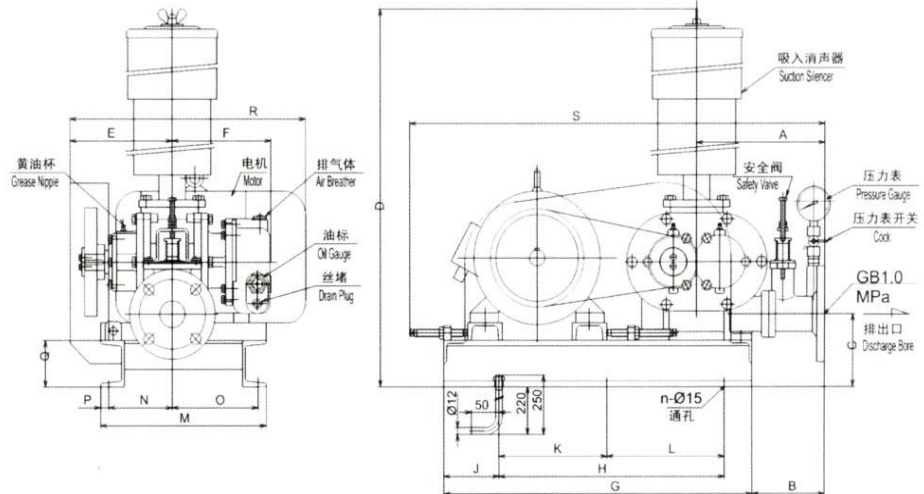
型式 Type	口径 Bore	转速 rpm	排出压力		流量 Qs m³/min	轴功率 La kw	配套电机	
			kgf/cm²	kpa			型式 Type	功率 KW
HTSR 200 HB	200A	1480	0.30	29.4	58.02	46.58	Y250M-4	55
			0.35	34.3	57.89	52.36	Y250M-4	55
			0.40	39.2	57.76	58.19	Y280S-4	75
			0.45	44.1	57.57	63.62	Y280S-4	75
			0.50	49.0	57.37	68.98	Y280S-4	75
			0.55	53.9	57.22	74.22	Y280M-4	90
			0.60	58.8	57.08	80.18	Y280M-4	90
			0.65	63.7	56.96	85.68	Y280M-4	90
			0.70	68.6	56.85	91.36	Y315S-4	110
			0.75	73.5	56.71	96.78	Y315S-4	110
0.80	78.4	56.56	102.45	Y315S-4	110			

● HTSR-HB 高压型外形尺寸图

TYPE HTSR-HB OUTLINE DIMENSIONS

★ 附属品内容

- 通用底座
- 皮带罩
- 风机皮带轮、电机皮带轮、V形皮带
- 吸入消声器 (带过滤器)
- 安全阀
- 压力表
- 润滑油
- 地脚螺栓



K、H、L、N、O为基础图尺寸

单位 mm
Unit mm

型式 Type	记号 Mark	口径 Bore	A	B	C	D	E	F	G	H	J	K
HTSR-50H	50A	230	130	125	900	185	179	600	450	100	-	-
HTSR-65H	65A	230	130	135	975	205	202	650	470	100	-	-
HTSR-80H	80A	280	170	150	1135	220	225	710	530	100	-	-
HTSR-100H	100A	280	155	160	1255	370	265	780	630	100	-	-
HTSR-125HB	125A	355	205	190	1515	354	294	900	700	110	350	350
HTSR-150HB	150A	400	235	210	1730	453	377	1100	840	160	420	420
HTSR-200HB	200A	591	378	256	2210	579	550	1320	1000	180	500	500
HTSR-250HB	250A	750	490	350	2400	746	610	1670	1160	300	580	580

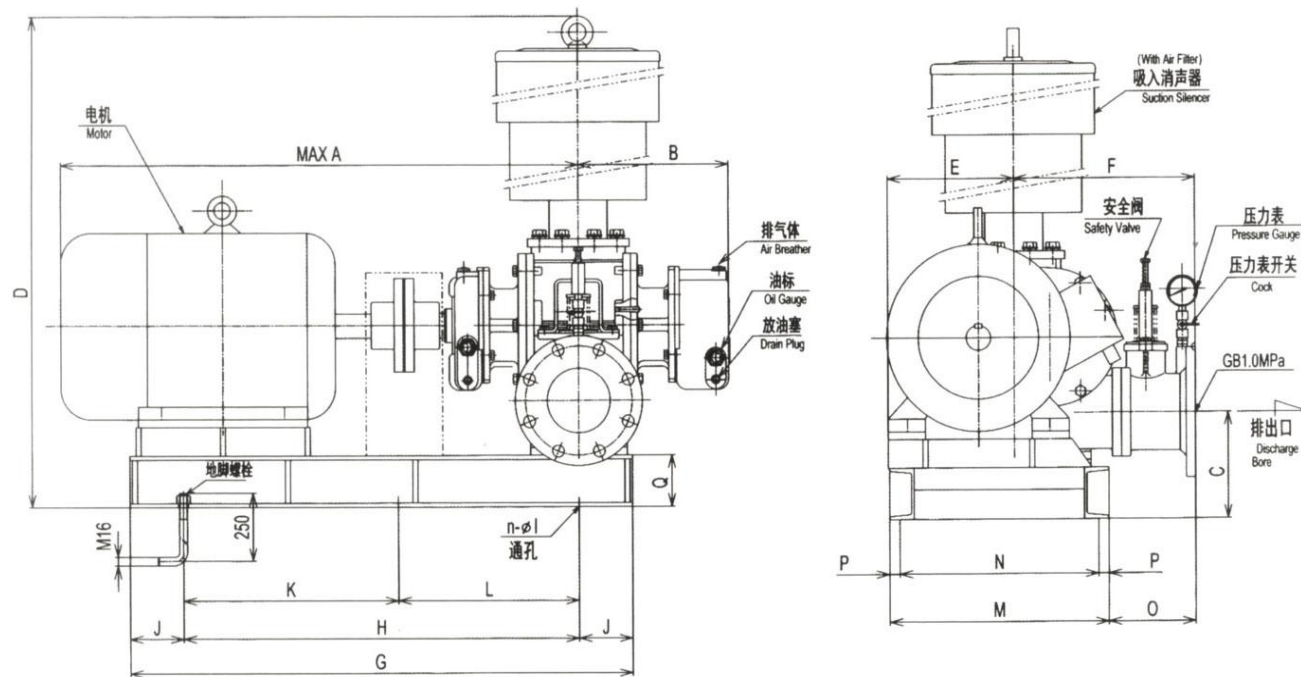
型式 Type	记号 Mark	口径 Bore	L	M	N	O	P	Q	n	R	S	重量(kg) Weight
HTSR-50H	50A	-	360	115	215	15	80	4	505	835	70	70
HTSR-65H	65A	-	375	135	210	15	80	4	545	835	81	81
HTSR-80H	80A	-	470	130	310	15	80	4	678	943	123	123
HTSR-100H	100A	-	535	170	335	15	80	4	710	985	161	161
HTSR-125HB	125A	350	555	243	272	20	100	6	810	1235	245	245
HTSR-150HB	150A	420	720	311.5	368.5	20	100	6	1045	1335	406	406
HTSR-200HB	200A	500	810	414	346	25	126	6	1215	1850	880	880
HTSR-250HB	250A	580	1020	509	461	25	140	6	1350	2200	1320	1320

注：1、重量中不包含电机重量 2、HTSR-250HB地脚螺栓为6-M16×250

Note:1、The weights given do not include the motor.

● HTSR-HB 高压型直联式外形尺寸图

TYPE HTSR-HB DIRECT COUPLING OUTLINE DIMENSIONS



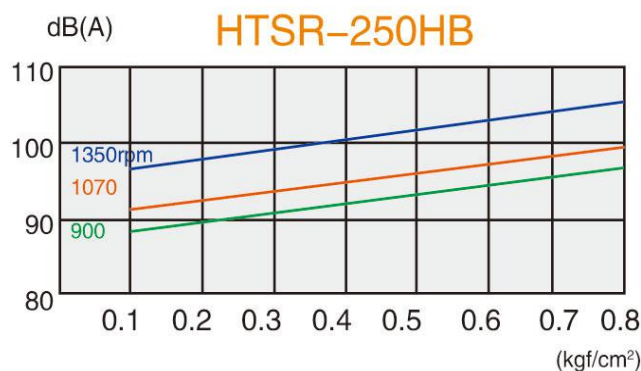
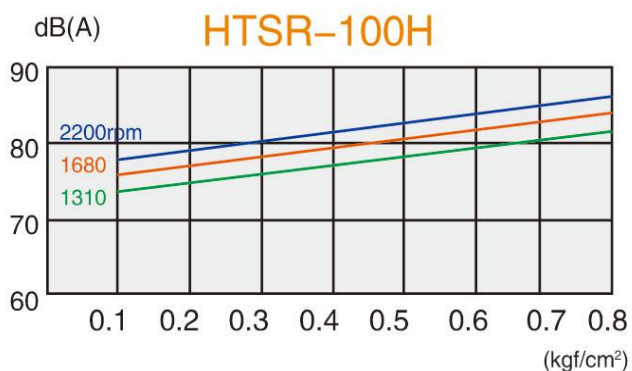
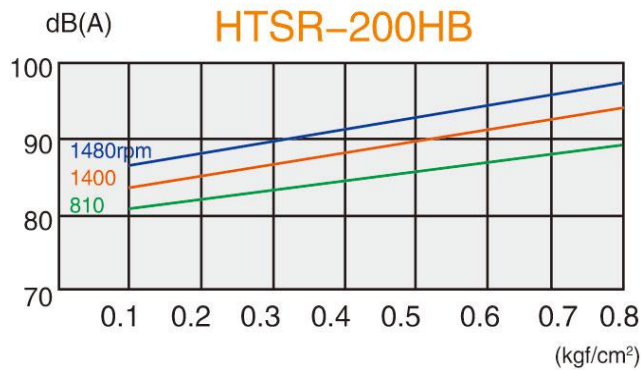
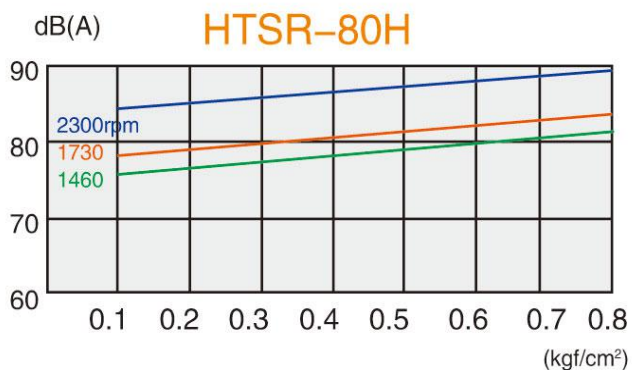
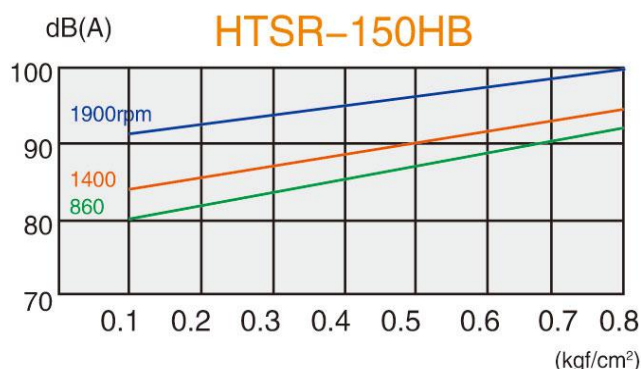
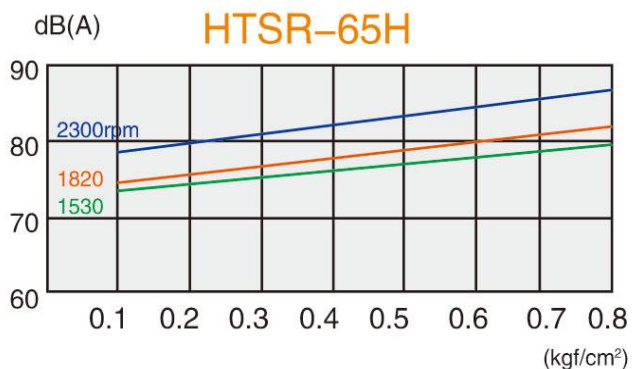
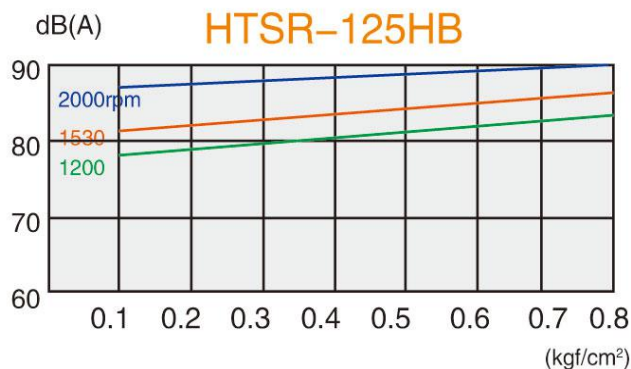
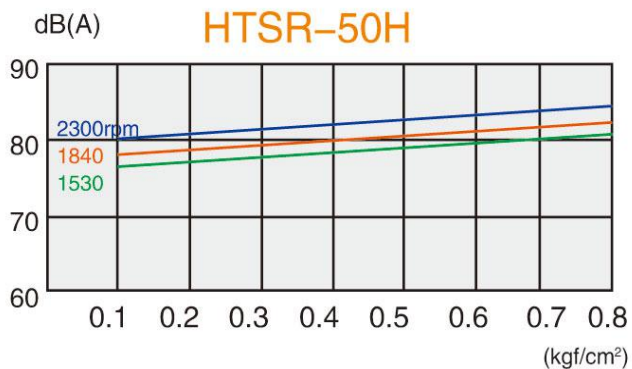
单位 mm
Unit mm

型式 Type	记号 Mark	口径 Bore	A	B	C	D	E	F	G	H	J
HTSR-80H		80A	725	225	165	1130	217	280	650	500	75
HTSR-100H		100A	925	265	175	1255	234	280	850	630	110
HTSR-125HB		125A	1020	294	205	1525	260	345	1000	780	110
HTSR-150HB		150A	1290	377	225	1745	305	385	1250	1010	120
HTSR-200HB		200A	1785	550	276	2230	405	593	1700	1400	150

型式 Type	记号 Mark	口径 Bore	K	L	M	N	O	P	Q	R	n-φ1	重量(kg) Weight
HTSR-80H		80A	-	-	370	330	147	20	80	75	4-φ19	132
HTSR-100H		100A	-	-	400	360	114	20	80	110	4-φ19	168
HTSR-125HB		125A	390	390	430	390	175	20	100	105	6-φ19	245
HTSR-150HB		150A	505	505	500	455	190	22.5	100	165	6-φ19	408
HTSR-200HB		200A	700	700	680	605	348	22.5	126	240	6-φ19	925

● HTSR-HB 高压型噪音值

TYPE HTSR-HB NOISE LEVEL



● 噪音值 dB(A) 机侧1.0m

NOISE LEVEL dB(A) Machine Side 1.0m

注：上述数据是在本公司测定的数据

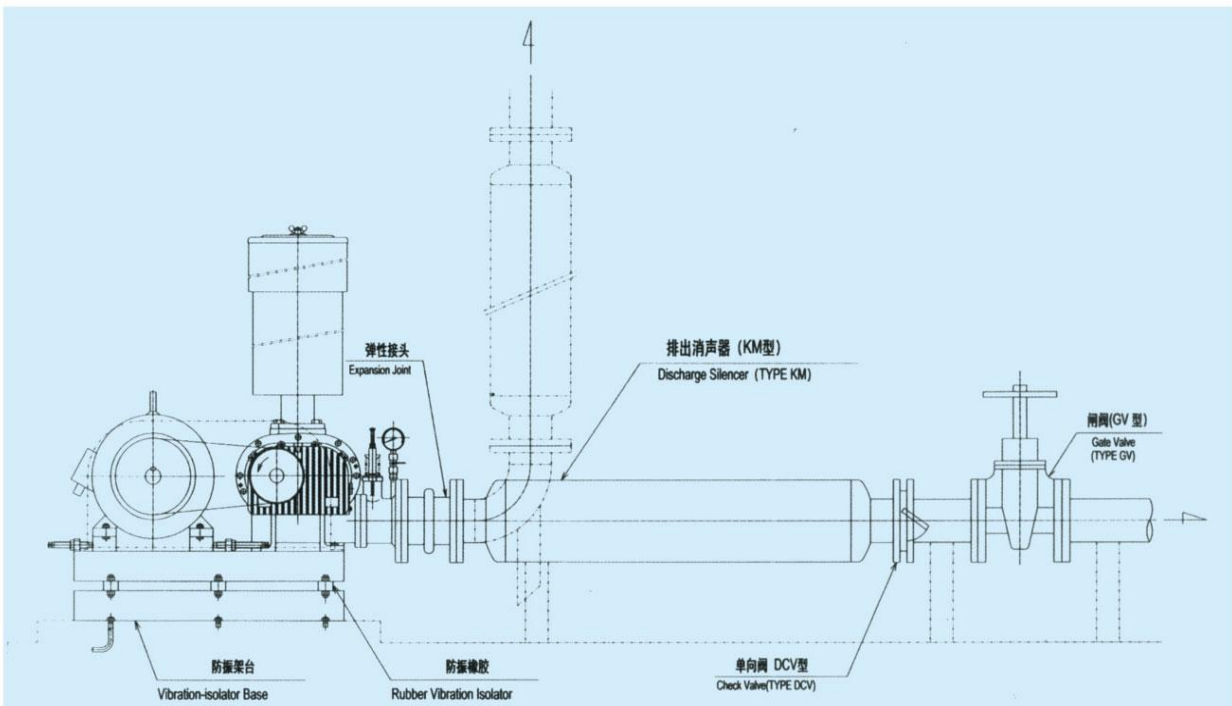
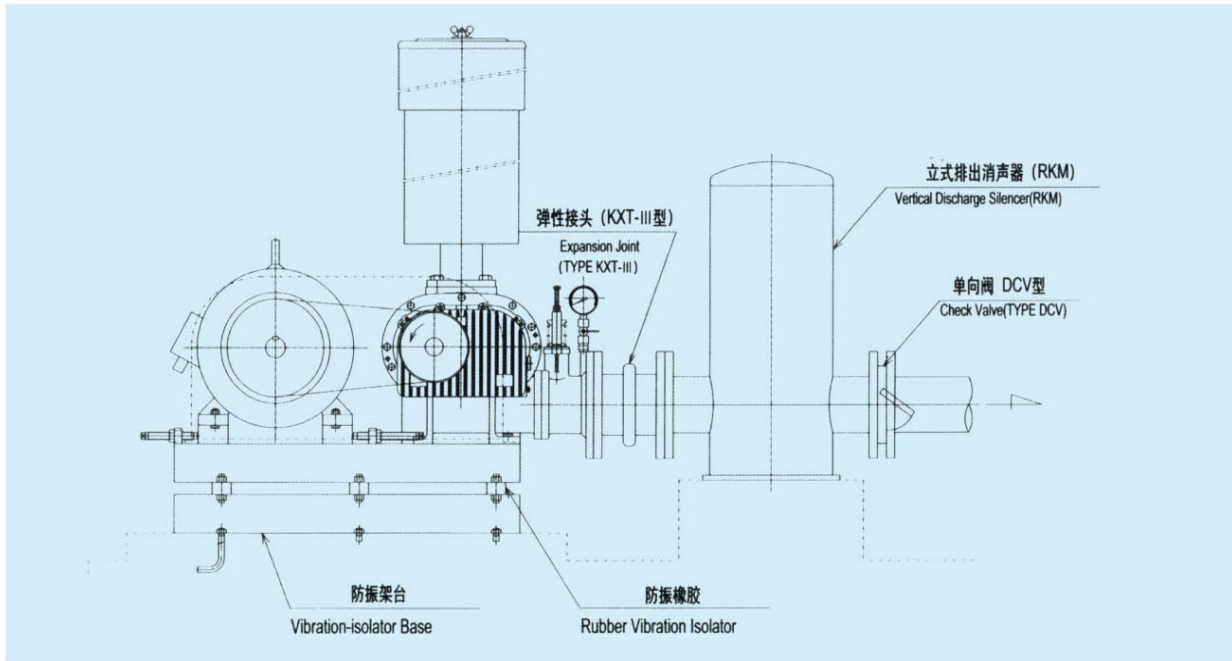
Note: There values are based on the measurements taken in our shop

● HTSR-HB 高压型配管参考图

REFERENCE DRAWING OF PIPING FOR TYPE HTSR-HB

皮带传动配管图

PULLEY TRANSMISSION
DRAWING OF PIPING



(注) DCV单向阀必须安装在水平管路上

Note: Make sure that the piping of Check valve type DCV is horizontal



● HTSR-HB-U 高压型 性能表

TYPE HTSR-HB-U PERFORMANCE TABLE

Qs: 进风状态风量(m³/min)
Suction-phase Air Volume(m³/min)

La: 所需动力(kW)
Required electric power(kW)

1.5 kW 2.2kW 3kW 4kW 5.5kW 7.5kW 11kW 15kW 18.5kW

型式 Type	口径 Bore	转速 rpm	排出压力(kgf/cm²) Discharge Pressure																转速 rpm	
			0.30		0.40		0.50		0.60		0.65		0.70		0.75		0.80			
			29.4kPa		39.2kPa		49kPa		58.8kPa		63.7kPa		68.6kPa		73.5kPa		78.4kPa			
			Qs	La	Qs	La	Qs	La	Qs	La	Qs	La	Qs	La	Qs	La	Qs	La		
HTSR 50H-U	50A	1530	1.52	1.34	1.42	1.69	1.34	2.03	1.27	2.38	1.24	2.56							1530	
		1640	1.67	1.47	1.58	1.84	1.50	2.21	1.42	2.58	1.39	2.77							1640	
		1730	1.80	1.57	1.70	1.96	1.62	2.36	1.55	2.75	1.51	2.95							1730	
		1840	1.95	1.71	1.86	2.12	1.78	2.54	1.70	2.96	1.66	3.17	1.62	3.38					1840	
		1950	2.11	1.85	2.01	2.29	1.93	2.73	1.85	3.18	1.81	3.41	1.77	3.63					1950	
		2120	2.34	2.07	2.25	2.55	2.17	3.03	2.09	3.52	2.05	3.76	2.01	3.99	1.97	4.20				2120
		2300	2.59	2.33	2.50	2.84	2.42	3.35	2.34	3.86	2.30	4.11	2.26	4.37	2.22	4.59	2.18	4.80	2300	
HTSR 65H-U	65A	1530	2.14	1.72	2.02	2.25	1.90	2.72	1.79	3.20									1530	
		1640	2.36	1.89	2.24	2.46	2.12	2.95	2.01	3.46	1.96	3.86							1640	
		1740	2.56	2.04	2.44	2.64	2.32	3.16	2.21	3.70	2.16	4.11							1740	
		1820	2.72	2.16	2.60	2.79	2.48	3.33	2.37	3.90	2.32	4.37	2.26	4.66					1820	
		1940	2.96	2.35	2.83	3.02	2.71	3.59	2.61	4.20	2.56	4.70	2.50	5.01					1940	
		2130	3.33	2.65	3.21	3.35	3.09	4.00	2.99	4.66	2.94	5.20	2.88	5.55	2.83	5.88				2130
		2300	3.51	2.94	3.38	3.83	3.28	4.49	3.16	5.33	3.11	5.70	3.07	6.12	3.02	6.56	2.97	6.88	2300	
HTSR 80H-U	80A	1460	3.65	3.11	3.49	3.88	3.34	4.64	3.20	5.40	3.13	5.78	3.06	6.16					1460	
		1560	3.95	3.35	3.82	4.17	3.67	4.99	3.53	5.79	3.46	6.19	3.39	6.59	3.32	6.99			1560	
		1650	4.28	3.56	4.12	4.44	3.96	5.30	3.82	6.15	3.75	6.58	3.68	7.00	3.61	7.43			1650	
		1730	4.55	3.76	4.39	4.67	4.23	5.57	4.09	6.47	4.02	6.92	3.95	7.37	3.88	7.82	3.81	8.27	1730	
		1820	4.84	3.97	4.68	4.94	4.52	5.88	4.38	6.82	4.31	7.29	4.24	7.76	4.17	8.23	4.10	8.70	1820	
		1900	5.11	4.16	4.95	5.17	4.79	6.16	4.65	7.40	4.58	7.63	4.51	8.12	4.44	8.61	4.37	9.10	1900	
		2100	5.75	4.68	5.61	5.85	5.44	7.10	5.31	7.93	5.24	8.47	5.17	9.02	5.10	9.56	5.03	10.10	2100	
		2300	5.88	4.89	5.76	6.19	5.66	7.51	5.57	8.13	5.54	8.75	5.52	9.38	5.48	9.99	5.43	12.26	2300	
HTSR 100H-U	100A	1310	5.18	4.05	4.95	5.18	4.74	6.30	4.55	7.48	4.45	8.17	4.38	8.73					1310	
		1460	6.00	4.62	5.78	5.87	5.58	7.10	5.39	8.45	5.30	9.21	5.20	9.83	5.11	10.46			1460	
		1540	6.40	4.98	6.19	6.30	5.99	7.61	5.81	9.00	5.72	9.78	5.62	10.11	5.53	11.10			1540	
		1680	7.13	5.62	6.92	7.08	6.73	8.50	6.55	10.03	6.46	10.79	6.37	11.51	6.28	12.23	6.19	12.95	1680	
		1780	7.62	6.10	7.42	7.63	7.23	9.15	7.06	10.71	6.98	11.55	6.89	12.32	6.81	13.09	6.72	13.86	1780	
		1880	8.15	6.55	7.95	8.18	7.77	9.80	7.60	11.42	7.52	12.28	7.43	13.08	7.35	13.89	7.26	14.69	1880	
		1980	8.65	7.01	8.46	8.75	8.28	10.45	8.12	12.13	8.04	13.04	7.95	13.89	7.87	14.74	7.78	15.59	1980	
		2100	9.28	7.57	9.09	9.34	8.91	11.10	8.75	12.93	8.67	13.83	8.58	14.73	8.50	15.64	8.41	16.54	2100	
		2200	9.81	8.07	9.62	9.92	9.44	11.76	9.28	13.60	9.19	14.55	9.11	15.49	9.02	16.44	8.94	17.38	2200	
型式 Type	口径 Bore	转速 rpm	排出压力(kgf/cm²) Discharge Pressure																转速 rpm	
			29.4kPa		39.2kPa		49kPa		58.8kPa		63.7kPa		68.6kPa		73.5kPa		78.4kPa			
			Qs	La	Qs	La	Qs	La	Qs	La	Qs	La	Qs	La	Qs	La	Qs	La		
			0.30		0.40		0.50		0.60		0.65		0.70		0.75		0.80			

HTSR-HB-U 高压型 性能表

TYPE HTSR-HB-U PERFORMANCE TABLE

Qs: 进风状态风量(m³/min)
Suction-phase Air Volume(m³/min)

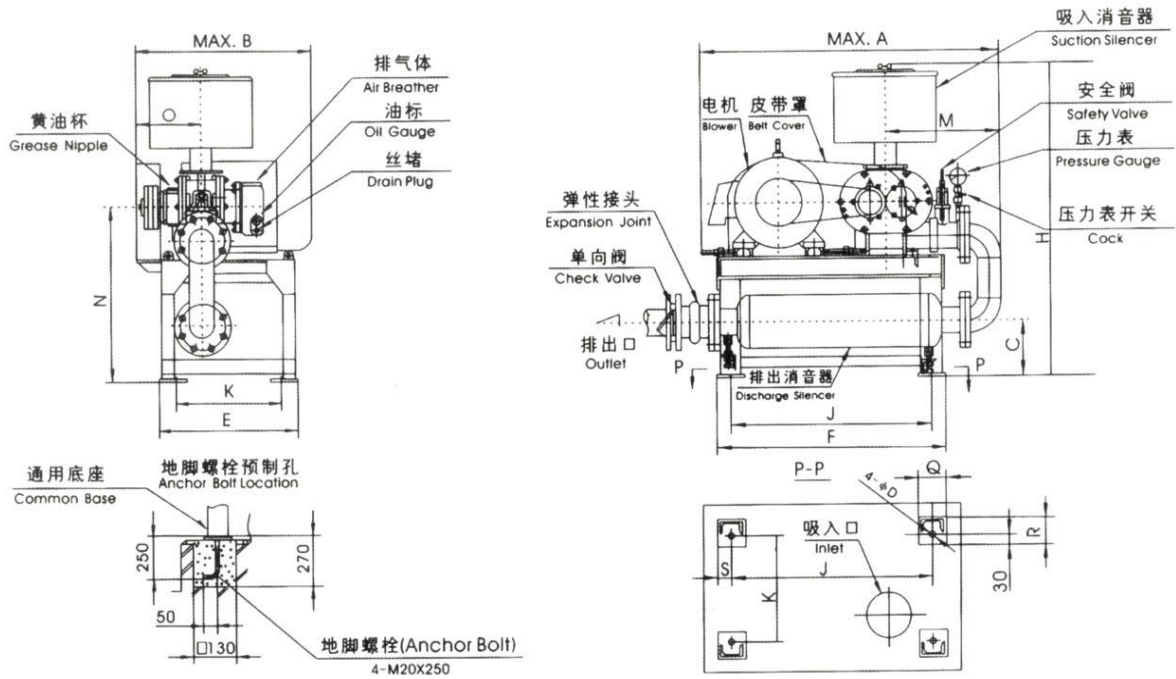
La: 所需动力(kW)
Required electric power(kW)



型式 Type	口径 Bore	转速 rpm	排出压力(kgf/cm²) Discharge Pressure																转速 rpm
			0.30		0.40		0.50		0.60		0.65		0.70		0.75		0.80		
			29.4kPa		39.2kPa		49kPa		58.8kPa		63.7kPa		68.6kPa		73.5kPa		78.4kPa		
			Qs	La	Qs	La	Qs	La	Qs	La	Qs	La	Qs	La	Qs	La	Qs	La	
HTSR 125 HB-U	125A	1200	7.45	5.50	7.25	7.10	7.00	8.65	6.88	10.25	6.80	11.03	6.72	11.80	6.64	12.58	6.56	13.35	1200
		1310	8.19	6.20	8.00	7.90	7.82	8.65	7.64	11.40	7.56	12.25	7.48	13.10	7.40	13.95	7.32	14.80	1310
		1390	8.74	6.70	8.54	8.50	8.37	10.35	8.20	12.20	8.12	13.11	8.04	14.02	7.95	14.93	7.87	15.84	1390
		1450	9.15	7.10	8.95	9.00	8.77	10.90	8.60	12.80	8.52	13.75	8.43	14.69	8.35	15.64	8.26	16.58	1450
		1530	9.70	7.65	9.50	9.60	9.33	11.60	9.15	13.60	9.07	14.50	8.98	15.60	8.89	16.60	8.80	17.60	1530
		1630	10.37	8.35	10.17	10.35	10.01	12.40	9.85	14.60	9.77	15.68	9.67	16.76	9.58	17.84	9.48	18.92	1630
		1750	11.18	9.18	10.99	11.26	10.83	13.38	10.66	15.80	10.57	16.92	10.47	18.04	10.38	19.16	10.28	20.28	1750
		1850	11.85	9.88	11.66	12.02	11.50	14.20	11.34	16.85	11.25	18.03	11.15	19.21	11.06	20.38	10.96	21.47	1850
		2000	12.85	11.09	12.66	13.60	12.50	16.21	12.34	18.76	12.25	20.04	12.15	21.33	12.06	22.61	11.96	23.90	2000
HTSR 150 HB-U	150A	860	12.03	9.30	11.75	11.70	11.54	14.25	11.27	16.80	11.14	17.79	11.01	18.99	10.88	20.19	10.75	21.39	860
		970	13.95	11.05	13.70	13.80	13.50	16.60	13.23	19.40	13.10	21.47	12.97	22.91	12.84	24.36	12.71	25.80	970
		1110	16.37	13.10	16.15	16.50	15.95	19.60	15.70	22.80	15.57	25.09	15.44	26.76	15.31	28.43	15.18	30.09	1110
		1180	17.59	14.40	17.37	17.80	17.17	21.10	16.97	24.40	16.84	26.36	16.71	28.24	16.58	30.13	16.45	31.82	1180
		1240	18.63	15.40	18.43	18.90	18.23	22.40	18.03	25.80	17.90	27.75	17.77	29.58	17.64	31.41	17.51	33.19	1240
		1400	21.40	17.90	21.20	21.90	21.05	25.80	20.87	29.70	20.74	33.36	20.61	35.88	20.48	37.99	20.35	40.11	1400
		1520	23.40	20.15	23.21	24.60	23.04	28.90	22.82	33.30	22.69	35.77	22.54	38.16	22.41	40.43	22.28	42.71	1520
		1620	24.86	22.60	24.68	27.40	24.48	32.05	24.27	36.90	24.14	40.05	24.04	43.34	23.88	45.81	23.75	48.28	1620
		1730	26.48	25.30	26.27	30.40	26.08	35.55	25.87	40.80	25.74	44.83	25.61	47.61	25.48	50.29	25.35	52.97	1730
HTSR 200 HB-U	200A	810	29.55	20.68	28.89	26.94	28.22	33.16	27.63	39.05	27.28	47.32	26.95	45.38	26.64	48.50	26.35	51.75	810
		900	33.66	24.00	33.05	30.93	32.34	37.83	31.71	44.38	31.47	47.66	31.16	51.25	30.83	54.50	30.52	57.83	900
		980	37.34	27.18	36.77	34.55	36.03	42.02	35.34	49.38	35.03	53.01	34.70	56.75	34.36	60.58	34.03	64.25	980
		1070	41.44	30.03	40.97	38.68	40.15	46.82	39.42	54.95	38.37	58.85	39.15	63.75	38.95	67.35	38.77	71.46	1070
		1150	45.07	32.71	44.60	42.02	43.78	50.98	43.06	59.74	43.01	64.35	42.76	68.65	42.47	73.36	42.33	77.69	1150
		1230	48.22	36.26	47.78	46.08	47.08	55.53	46.44	64.80	46.42	69.39	46.21	74.26	46.02	78.81	45.85	83.56	1230
		1310	51.38	39.66	50.99	50.18	50.40	59.96	49.83	69.72	49.73	74.82	49.51	79.78	49.30	84.72	49.15	89.74	1310
		1390	54.49	42.92	54.16	54.22	53.68	64.48	53.24	74.60	53.00	79.65	52.83	84.91	52.71	90.25	52.58	95.58	1390
		1480	58.02	46.58	57.76	58.19	57.37	68.98	57.08	80.18	56.97	85.68	56.85	91.36	56.71	96.78	56.56	102.45	1480
型式 Type	口径 Bore	转速 rpm	Qs	La	Qs	La	Qs	La	Qs	La	Qs	La	Qs	La	Qs	La	Qs	La	转速 rpm
			29.4kPa		39.2kPa		49kPa		58.8kPa		63.7kPa		68.6kPa		73.5kPa		78.4kPa		
			0.30		0.40		0.50		0.60		0.65		0.70		0.75		0.80		
排出压力(kgf/cm²) Discharge Pressure																			

HTSR-HB-U 外形尺寸图

TYPE HTSR-HB-U OUTLINE DIMENSIONS



型号 Type	A	B	C	E	F	H	J	K
HTSR-50H-U	940	460	170	380	680	945	600	240
HTSR-65H-U	1020	540	190	395	720	990	640	255
HTSR-80H-U	1130	690	200	500	840	1120	760	360
HTSR-100H-U	1430	760	225	555	1030	1200	950	375
HTSR-125HB-U	1700	825	240	575	1220	1395	1140	395
HTSR-150HB-U	1795	1055	260	740	1260	1650	1180	560
HTSR-200HB-U	2200	1240	320	830	1670	1815	1590	650
型号 Type	M	N	O	Q	R	S	4-φD	最大重量(kg) MAX weight
HTSR-50H-U	345	520	185	100	100	40	4-φ23	173
HTSR-65H-U	375	565	205	100	100	40	4-φ23	216
HTSR-80H-U	420	625	235	100	100	40	4-φ23	340
HTSR-100H-U	450	700	290	120	120	40	4-φ23	448
HTSR-125HB-U	560	785	386	140	120	40	4-φ23	623
HTSR-150HB-U	645	890	475	140	120	40	4-φ23	1130
HTSR-200HB-U	915	995	605	140	120	40	4-φ23	2088

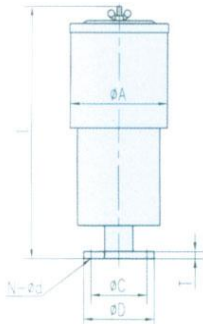
注：重量中包括电机重量

Note: The weights given include the motor.

HTSR 附属品

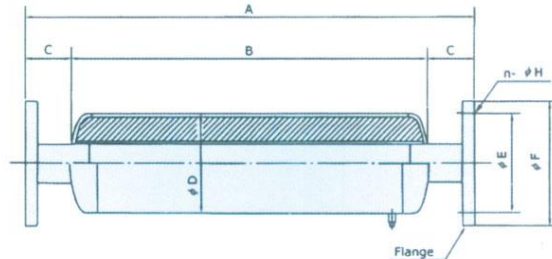
TYPE HTSR ACCESSORIES

吸入消声器(KSE) cSuction Silencer(KSE)



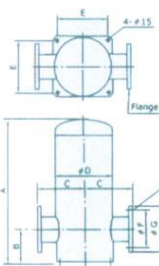
型式 Type	A	C	D	L	T	N-d	重量(kg) Weight
KSE-50	165	95	120	570	12	4-15	8.0
KSE-65	190	105	130	635	14	4-15	10.5
KSE-80	242	130	155	720	14	4-15	16.0
KSE-100	270	145	180	820	14	4-19	20.5
KSE-125	320	165	200	1017	16	8-19	26.5
KSE-150	360	200	235	1158	16	8-19	37.5
KSE-175	360	230	265	1172	18	8-19	38.5
KSE-200	440	280	320	1495	20	8-23	62.0
KSE-250	550	345	385	1495	22	8-23	92.0

排出消声器(KM) Discharge Silencer(KM)



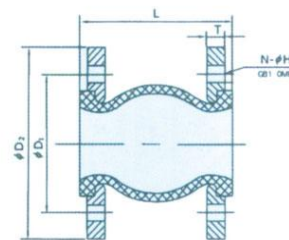
型式 Type	口径 Bore	A	B	C	D	E	F	n-φH	重量(kg) Weight
KM-50	50A	600	480	60	140	125	165	4-φ19	11
KM-65	65A	700	560	70	165	145	185	4-φ19	16
KM-80	80A	900	740	80	190	160	200	8-φ19	21
KM-100	100A	1200	1040	80	217	180	220	8-φ19	32
KM-125	125A	1400	1210	95	261	210	250	8-φ23	44
KM-150	150A	1600	1410	95	286	240	285	8-φ23	61
KM-200	200A	1800	1600	100	320	295	340	8-φ23	78
KM-250	250A	2000	1720	140	406	350	395	12-φ23	110

立式排出消声器(RKM) Vertical Discharge Silencer(RKM)



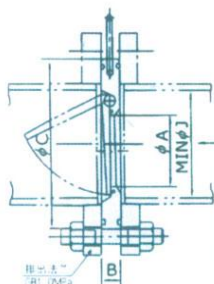
型式 Type	口径 Bore	A	B	C	D	E	F	G	n-φH	重量(kg) Weight
RKM-50	50A	420	120	150	140	130	125	165	4-φ19	15
RKM-65	65A	480	130	175	191	170	145	185	4-φ19	23
RKM-80	80A	595	145	200	216	190	160	200	8-φ19	39
RKM-100	100A	660	155	225	267	230	180	220	8-φ19	40
RKM-125	125A	800	190	250	280	240	210	250	8-φ23	50
RKM-150	150A	920	210	300	356	290	240	285	8-φ23	80
RKM-200	200A	1050	256	325	406	350	295	340	8-φ23	100
RKM-250	250A	1120	300	350	475	410	350	395	12-φ23	110

弹性接头(KXT-III型) KXT Series Resilient Connect



型式 Type	口径 Bore	D1	D2	L	T	N-φH	重量(kg) Weight
-50	50A	125	165	105	18	4-φ17.5	5.5
-65	65A	145	185	115	20	4-φ17.5	6.0
-80	80A	160	200	135	20	8-φ17.5	7.5
-100	100A	180	220	150	22	8-φ17.5	9.0
-125	125A	210	250	165	24	8-φ22.5	11.5
-150	150A	240	285	180	24	8-φ22	15.0
-200	200A	295	340	190	24	8-φ22	20.5
-250	250A	350	395	230	26	12-φ23	27

单向阀(DCV) Check Valve(DCV)

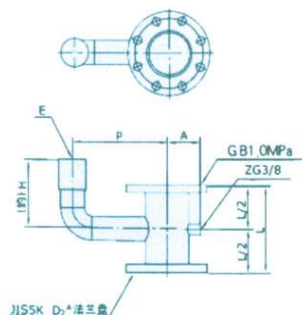


型式 Type	口径 Bore	A	B	C	J	螺栓尺寸(个数) Fixing Bolt Size(Number)	重量(kg) Weight
DCV-50	50A	25	19	104	52.7	M16×86(4)	1.1
DCV-65	65A	36	19	124	65.9	M16×108(4)	1.4
DCV-80	80A	46	19	134	78.1	M16×108(8)	1.6
DCV-100	100A	67	19	159	102.3	M16×108(8)	2.3
DCV-125	125A	88	21	190	126.6	M20×115(8)	3.4
DCV-150	150A	108	24	220	151.0	M20×120(8)	5.0
DCV-200	200A	138	29	270	200	M20×120(8)	10
DCV-250	250A	185	29	328	250	M16×120(12)	13.5

HTSR 真空用附属品

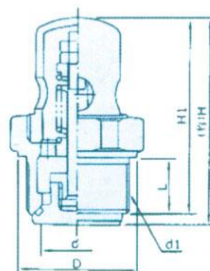
TYPE HTSR VACUUM ACCESSORIES

Y型进口接管(YSS) Y shaped reducer(YSS)



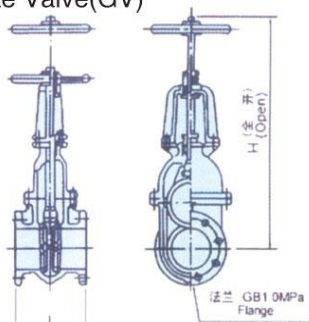
型式 Type	D1	D2	E	L	H	P	A
YSS50-25	50A	40	G1	140	95	130	55
YSS65-25	65A	50	G1	160	105	140	60
YSS80-32	80A	65	G1/4	180	115	150	70
YSS100-32	100A	80	G1/4	200	125	160	75
YSS125-50	125A	100	G2	250	155	190	85
YSS150-50	150A	125	G2	260	160	210	100
YSS175-50	200A	150	G2	280	170	210	110
YSS200-50	200A	200	G2	320	190	250	125
YSS250-80	250A	1	G3	475	237.5	312.5	166.5

真空调整阀(VOCP-B) Vacuum Breaker(VOCP-B)

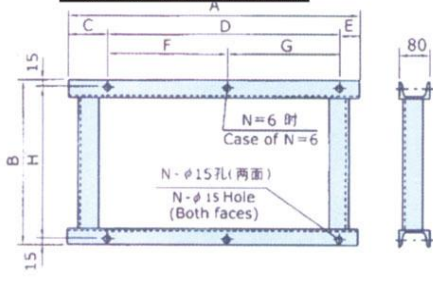


口径 Bore	d	d1	D	L	H1	H
1	22	G1	40	20	69	73
1/4	30	G1/4	48	22	79	83
1/2	36	G1/2	54	22	83	88
2	46	G2	68	28	100	106
2/2	60	G2/2	83	30	114	120
3	72	G3	98	35	132	140
4	90	G4	125	40	172	180

闸阀 (GV)
Gate Valve(GV)



型式 Type	口径 Bore	L	H (参考)
GV-50	50A	178	381
GV-65	65A	190	428
GV-80	80A	203	493
GV-100	100A	229	588
GV-125	125A	254	689
GV-150	150A	267	798
GV-200	200A	328	920
GV-250	250A	450	969



防振橡胶 (A形)

Rubber Vibration Isolator(TYPE A)

型式 Type	D	H	L	D	适用机种 Application Type
A-35B	35	36	23	M8	TSA
A-35	35	26	24	M8	SSR-50-80
A-40	40	25	30	M8	SSR-100,125
A-50	50	27	30	M10	SSR-150
A-75	75	42	45	M12	SSR-175,200

防振橡胶 (B形)

Rubber Vibration Isolator(TYPE B)

型式 Type	D	H	L	d	D1	A	P	适用机种 Application Type
B-35	35	26	24	M8	9	69	53	SSR-50-80
B-40	40	25	30	M8	9	76	60	SSR-100,125
B-50	50	27	30	M10	11.5	93	73	SSR-150

防振架台 (HTSR)

Vibration-Isolating Base(HTSR)

适用机种 Application Type	A	B	C	D	E	F	G	H	N	重量(kg) Weight
HTSR-50	560	300	100	410	50	-	-	270	4	10
HTSR-65	600	340	100	450	50	-	-	310	4	11
HTSR-80	650	360	100	500	50	-	-	330	4	12
HTSR-100	730	470	100	580	50	-	-	440	4	14
HTSR-125	860	480	110	700	50	350	350	440	6	16
HTSR-150	960	590	160	750	50	400	350	550	6	18
HTSR-175	1100	720	160	840	100	420	420	680	6	25.5
HTSR-200	1280	750	180	1000	100	500	500	705	6	33

防振架台 (HTSR-HB)

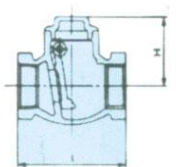
Vibration-Isolating Base(HTSR-HB)

适用机种 Application Type	A	B	C	D	E	F	G	M	N	重量(kg) Weight
HTSR-50H	600	360	100	450	-	-	330	15	4	13.5
HTSR-65H	650	375	100	470	-	-	345	15	4	14.5
HTSR-80H	710	480	100	530	-	-	450	15	4	16.5
HTSR-100H	780	535	100	630	-	-	505	15	4	18.5
HTSR-125H	900	555	110	700	350	350	515	20	6	20.5
HTSR-150HB	1100	720	160	840	420	420	680	20	6	25.5
HTSR-200HB	1320	810	180	1000	500	500	760	25	6	30.0

HTSR-T 附属品

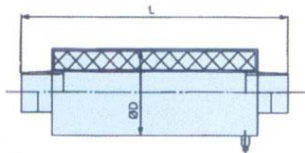
HTSR-T ACCESSORIES

单向阀 (GV)
Check Valve(GV)

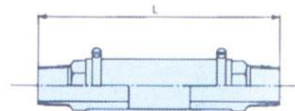


型式 Type	口径 Bore	L	H	重量 (kg) Weight
CV-20	Rc ³ / ₄	65	40	0.34
CV-25	Rc1	75	47	0.50
CV-32	Rc1 ¹ / ₄	90	63	0.96
CV-40	Rc1 ¹ / ₂	100	65	1.07
CV-50	Rc2	120	75	1.71
CV-65	Rc2 ¹ / ₂	150	85	3.02

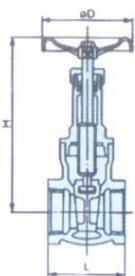
排出消声器 (KMS)
Discharge Silencer(KMS)



弹性接头 (FJ)
Flexible Joint(FJ)



闸阀 (GVS)
Gate Valve(GVS)



型式 Type	口径 Bore	L	H	D	重量 (kg) Weight
GVS-20	Rc ³ / ₄	49	80	56	0.4
GVS-25	Rc1	54	98	63	0.6
GVS-32	Rc1 ¹ / ₄	57	105	70	0.8
GVS-40	Rc1 ¹ / ₂	63	128	79	1.1
GVS-50	Rc2	72	145	89	1.7
GVS-65	Rc2 ¹ / ₂	82	185	110	3.1

型式 Type	口径 Bore	D	L	重量 (kg) Weight
KMS-20	R ³ / ₄	89	440	3.6
KMS-25	R1	89	440	4.0
KMS-32	R1 ¹ / ₄	102	490	5.1
KMS-40	R1 ¹ / ₂	115	490	6.2
KMS-50	R2	134	530	8.3
KMS-65	R2 ¹ / ₂	160	620	13.0

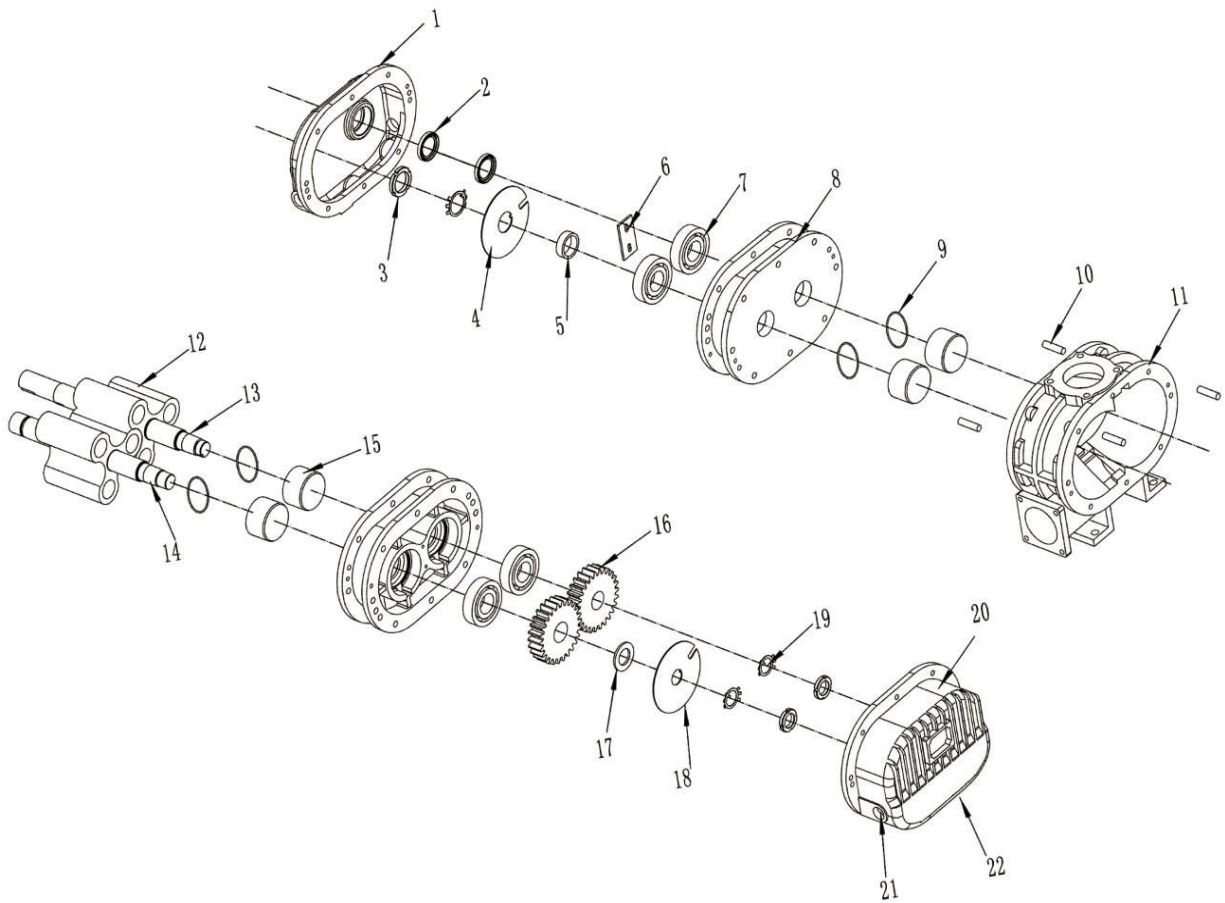
型式 Type	口径 Bore	L	重量 (kg) Weight
FJ-20	R ³ / ₄	170	0.26
FJ-25	R1	200	0.46
FJ-32	R1 ¹ / ₄	200	0.62
FJ-40	R1 ¹ / ₂	250	1.02
FJ-50	R2	280	1.54
FJ-65	R2 ¹ / ₂	310	2.42

罗茨蒸汽压缩机 Roots steam compressor

- 罗茨压缩机通过转子间的转动压缩蒸汽，属于恒流量风机。该结构决定了罗茨压缩机受蒸发器蒸发量影响较小，不容易发生喘振，运行稳定。
 - 转子的运转本身可产生一定的热量，蒸发系统无需补充鲜蒸汽，对系统温度变化不如离心式严格，热稳定性较好。
 - 针对耐腐蚀性问题，压缩机过流部件可采用铸钢涂层、316L、双相钢材质。
 - 罗茨压缩机压比高，对应的温升高。
 - 转速低，一般正常转速为900–1500rpm/min。结构简单，连锁点少，运行安全可靠，操作简单。
 - 噪音相比于离心式较高，大约为80–90dB。
 - 单台罗茨蒸汽压缩机处理能力较小，一般在含盐废水处理中，用于蒸发量 $\leq 7\text{t/h}$ 的场合。
-
- The blower is fixed flow fan, Steam is compressed through two rotors, It does not vibrate, It runs smoothly.
 - It produces heat without needing to replenish steam, Good thermal stability.
 - It can be used as corrosion protection equipment.
 - It has a higher compression ratio.
 - It has a speed range of 900–1500 revolutions per minute, Simple structure and reliable operation.
 - The noise is 80–90 decibels.
 - In the treatment of salt containing wastewater, its evaporation capacity is less than 7 tons / hour



构造图&材质
Structure drawing



序号	名称	材质	数量	序号	名称	材质	数量
1	副油箱	HT250	1	12	叶轮	HT250	2
2	油封	氟橡胶	2	13	主动轴	45	1
3	圆螺母	35	4	14	从动轴	45	1
4	驱端甩油盘	Q235A	1	15	迷宫密封	Q235A	4
5	驱端轴承压套	Q235A	1	16	齿轮	35CrMo	2
6	轴承压片	Q235A	1	17	平垫圈	Q235A	1
7	轴承	SUJ2	4	18	齿端甩油盘	Q235A	1
8	墙板	HT250	2	19	止动垫圈	Q235A	2
9	密封圈	氟橡胶	4	20	主油箱	HT250	1
10	定位销	45	4	21	油标	有机玻璃	4
11	机壳	HT250	1	22	丝堵	35	2

通过最先进的加工和检测设备，保证每个部件达到设计要求。

机壳 Shell



蒸汽压缩机材质采用整体铸铁或双相不锈钢制造，铸铁压缩机内腔整体涂特殊涂层，涂层防腐效果稍低于钛原材质，但抗气蚀、水蚀、冲刷能力高于钛材。特殊涂层能达到长时间使用效果，能减轻投资成本，特殊料液采用双向不锈钢制造的蒸汽压缩机或涂层与双相不锈钢搭配组合。

The steam compressor is made of stainless steel, The cavity spray coating, up to titanium material, Therefore, the cost of investment can be less.

叶轮 Impeller



叶轮采用高牌号铸铁或双相不锈钢加工，使用高精度四轴加工中心加工而成，形状尺寸标准，并永久性固定在钢轴上。具备特殊的强度和刚度，叶轮运转更为平稳，在持续性大负荷状态下不会发生疲劳和偏位。

The impeller is made of stainless steel and sprayed with layers, It uses four axis high-precision machining center for processing, No fatigue or deformation will occur during the continuous high strength operation.

机械密封 Mechanical seal



蒸汽压缩机采用特殊双机械水密封系统，达到蒸汽压缩机完全不泄漏运行。实践证明该密封系统设计完全可在临界气体的应用中实现无故障运转。

Steam compressor adopts double mechanical water seal design, Gas can not be leaked.

轴承 Bearing



蒸汽压缩机轴承采用日本进口NSK轴承或瑞典SKF轴承，在蒸汽压缩机连续运转下使用寿命在26000小时左右，良好的维护能使运行寿命更长。采用最佳轴承，为重载应用提高使用寿命。

The steam compressor adopts NSK or SKF bearings, Its service life can be up to 26000 hours.

电机 Electric machinery



蒸汽压缩机的电机全部采用变频电机，这样可以根据实际工况来调节处理最大小。变频电机在启停系统中起到良好的作用。

The steam compressor adopts frequency conversion motor, which can adjust the speed and volume according to the working condition

应用领域 Application area



处理工业废水（环保领域）

Industrial water treatment and environmental protection

工业废水的浓缩和水的循环再利用。如电镀行业、涂料生产行业、医药和农药行业、金属加工行业、造纸行业和原油生产行业等污水处理。

Concentration, recycling and reuse of industrial water. For example, electroplating, coating, medicine, pesticide, papermaking and other industries



化学工业 Chemical industry

在化工行业应用非常广泛，可以应用在蒸发、结晶、提纯、浓缩。

It is widely used in the chemical industry, Such as politics and law, crystallization, purification, concentration and so on



制药工业 Pharmaceutical industry

我国的制药行业，是个传统的行业，使用了大量的老化、旧式蒸发器，不仅降低药品质量，更是浪费了大量的能源。急需升级换代减少二氧化碳的排放。

The process of concentrating, evaporating, crystallizing, and drying in the manufacture of drugs.



食品工业 Food industry

在食品深加工行业，大量采用蒸发技术实现脱水的功能。如浓缩玉米浆和提取葡萄糖、氨基酸、味精、大豆、蛋白质乳液的蒸发等。

In the food deep processing industry, food dehydration function can be realized, Such as glucose, amino acids, monosodium glutamate, soybeans, proteins and so on



饮料工业 Beverage industry



隔音罩 Soundproof enclosures

隔音罩也叫消音房，是用来降低罗茨鼓风机在运行时的噪音，可使罗茨风机的噪音降下15-35分贝，对风机的噪音有明显的降低效果。罗茨风机隔音罩由一层具有一定重量和刚性不透气的金属外壳和内侧附加吸声材料经过特殊工艺精制而成，隔音罩采用全封闭组合结构，墙体外全部采用1.5-2mm厚的国标冷扎钢板，经过电泳处理，表层经过两遍静电喷涂处理，可二十年不生锈。墙体内选用5×5×0.6mm厚的冷扎网孔板，内部有龙骨、隔声板等隔声构件组成，具有隔声、吸声、隔振、阻尼功能，配有隔振系统、隔声门、双层隔声观察窗、通风散热、排烟系统及水电接入通道。

将噪声置于隔声罩内，隔断噪声向外传播；安装拆卸方便。可根据各噪声源设备的具体使用要求、设备运行工况、通风散热需求进行选型，也可根据用户要求和风机的大小进行设计定制。

Soundproof enclosures are also called Silencers, used to reduce the noise of Roots blower, noise can be reduced by 15-35 decibels. The soundproof enclosure is composed of metal shell and sound-absorbing material, adopt full sealing structure, the outer wall is made of 1.5-2mm thick national standard cold rolled steel plate, after electrophoresis and electrostatic spray treatment, will not rust. The inner wall is made of 5 * 5 * 0.6mm thick mesh plates, there are keel, sound insulation board and other components, it has the functions of sound insulation, sound absorption, vibration isolation, damping and ventilation and heat dissipation.

The noise source is arranged in the sound insulation cover and the noise is transmitted outwards; Easy to install and disassemble; The noise source can be designed and customized according to the user's requirements



特别提示：

本资料设计本公司的诸多专业技术资料及专利科技成果，未经本公司书面允许而翻印者，本公司将追究相关法律责任，资料中产品的参数、设备外形等均有可能随项目的不同而产生变化，济南恒通公司保留对此样册的最终解释权利。

样册版本号：2017-06

Thanks & best regards

 济南恒通粉体工程有限公司

地址：山东省济南市章丘区明水经济开发区

Add: Mingshui Economic Development Zone Zhangqiu City Shandong Province

电话（Tel）：0531-61323866

传真（Fax）：0531-61323877

邮箱（E-mail）：jnhft@163.com

网址（Web）：www.jnhft.cn