

CDB Series Exposed Electromagnetic Clutch Brake Module - Foot Mounted

CDB型離合器剎車組合體結構為開放式入力處出力之處。

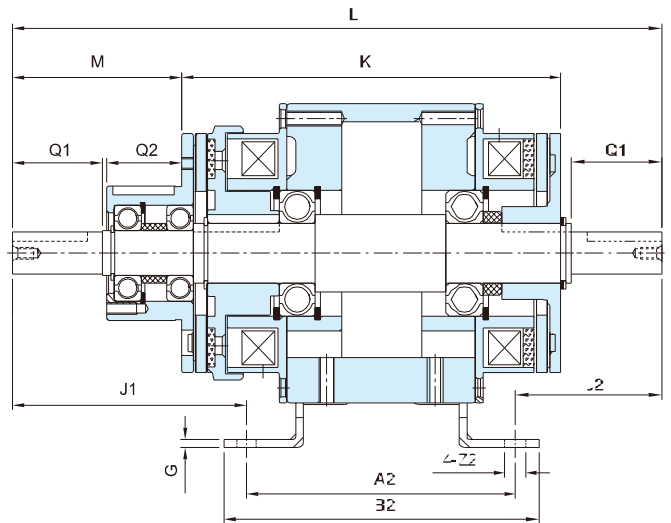
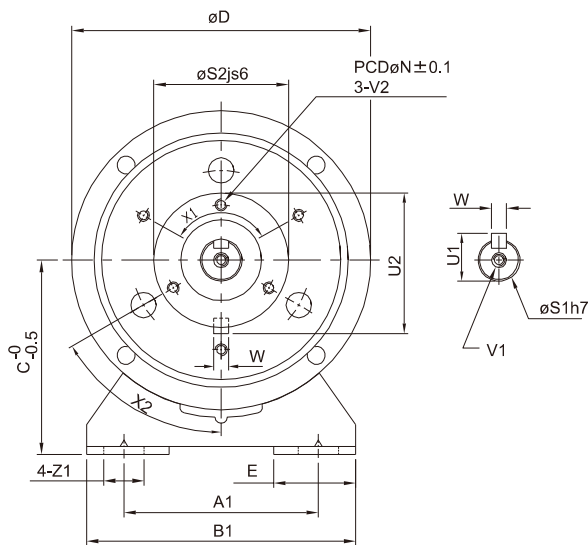
The CDB clutch and brake assembly uses an open design for power input and output

- 離合器之轉子與剎車器被固定在同軸而形成出力車，入出為軸承凸輪當離合器電流通過時出入軸被帶動，當離合器斷電時出力軸與軸承凸輪分離，當剎車電流通電時，出力軸就停止運轉。

The clutch rotor and the brake are attached to the same rotor to form an output shaft with input via a bearing cam. When the clutch is energized, motion is transmitted to the input shaft. When power to the clutch is cut off the output shaft and the bearing cam are separated. When the brake is energized the output shaft stops turning.

- 此機種適用於起動、停止、定位、高頻率起動、寸動。

This unit is suitable for starting, stopping and positioning and for high frequency starts and holding



型號 MODEL	CDB0S6AA	CDB1S5AA	CDB2S5AA	CDB005AA	CDB010AA	CD3020AA	CDB040AA	
靜摩擦轉距 Static Friction Torque [kgm](Nm)	0.55 (5.5)	1.1(11)	2.2 (22)	4.5 (45)	9 (90)	17.5 (175)	35 (350)	
功率 Power [24V](W) at 20°C	11	15	20	25	35	45	60	
懸垂荷重 Suspended load (kgf)	A	30	45	70	90	140	290	
	B	14	25	45	70	100	260	
徑方向 Radius	A2	72	90	110	135	160	240	
	B2	88	105	130	160	185.5	270	
	G	10.8	2.6	3.2	3.2	4.5	6	
	J1	66	78.2	98	120.3	149.5	238	
	J2	43	48.8	62	74.7	89.5	154	
	K	105.15	126.9	149.4	182.1	221.5	334	
	L	181	217	270	330	399	632	
	M	46.5	56.5	72	92	113	183	
	Q1	25	30	40	50	60	110	
	Q2	20	25	30	40	50	70	
	V1	M4*0.7P*8L		M6*1P*11L			M10*1.5P*17L	
	Z2	6.4	6.5	9	11	11.5	14	
	軸方向 Shaft	A1	51.5	65	80	105	135	195
B1		79	90	110	140	175	240	
C		55	65	80	90	112	160	
D		80	100	125	150	190	290	
E		27.5	27.5	32.5	35	42	47	
N		33	37	47	52	62	101.5	
S1		11	14	19	24	28	42	
S2		38	45	55	64	75	115	
U1		12.5	16	21	27	31	45.5	
U2		39.5	47	57	67	78	118.5	
V2		M4*0.7P*6L		M4*0.7P*8L		6-M5*PC.8*12L	4-M6*P1*12L	8-M6*P1*12L
W		4	5	7	10	12		
X1		3-120°		4-90°			8-45°	
X2	60°		45°			30°	45°	
Z1	13	13.5	15.5	20	24	28		
重量 Weight (kg)	1.5	2.7	5.5	9.6	18.5	35	64	
保護素子 Protective device	470KD07	GD80KD10		GD80KD14				