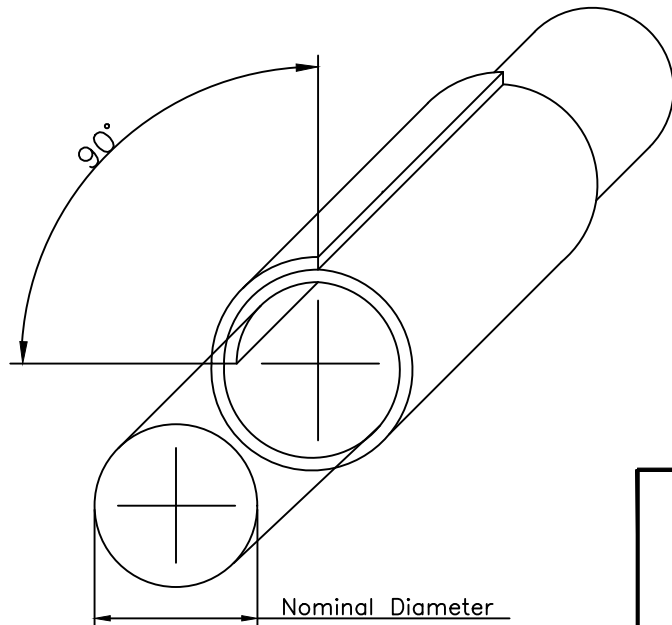


DIMENSIONS

FEDERAL MOGUL Part number	FEDERAL MOGUL Product name	Nominal diameter in mm*	Overlap on mandrel of nominal diameter***	Thickness in mm
2425000503**	TWISTTUBE 2420F 5-0/-	5	90 ^{+40°} _{-25°}	0.60 ± 0.15
2425000803**	TWISTTUBE 2420F 8-0/-	8	90 ^{+40°} _{-25°}	0.60 ± 0.15
2425001003**	TWISTTUBE 2420F 10-0/-	10	90 ^{+40°} _{-25°}	0.60 ± 0.15
2425001303**	TWISTTUBE 2420F 13-0/-	13	90 ^{+40°} _{-25°}	0.60 ± 0.15
2425001603**	TWISTTUBE 2420F 16-0/-	16	90 ^{+40°} _{-25°}	0.60 ± 0.15
2425001903**	TWISTTUBE 2420F 19-0/-	19	90 ± 20°	0.60 ± 0.15
2425002503**	TWISTTUBE 2420F 25-0/-	25	90 ± 20°	0.60 ± 0.15
2425002903**	TWISTTUBE 2420F 29-0/-	29	90 ± 20°	0.60 ± 0.15
2425003203**	TWISTTUBE 2420F 32-0/-	32	90 ± 10°	0.60 ± 0.15
2425003803**	TWISTTUBE 2420F 38-0/-	38	90 ± 10°	0.60 ± 0.15

*= The nominal diameter describes the maximum application diameter
 **= MXXXXH: for cut lengths
 **= S or SS for bulk product
 ***= Maximum overlap = Indicative value



HOT CUTTING TOLERANCES

Cut Length	Tolerance
50 - 300 mm	± 4 mm
301 - 500 mm	± 5 mm
501 - 820 mm	± 10 mm
821 - 1000 mm	± 15 mm
1001 - 1500 mm	± 20 mm
1501 - 2000 mm	± 25 mm

REV	DESCRIPTION	DATE	BY
A	INITIAL RELEASE (ECR 13076 plan 50521)	03/04/14	AF
B	Update hot cut tolerance (ECR 13135)	14/08/14	PAM
C	Update name (ECR 13255)	03/02/16	AK
D	Tolerance for cut length >1501mm (ECR14624)	24/08/20	RV
E	Dimension table modification (ECR14635)	03/09/20	RV

PROPERTIES

WORKING TEMPERATURE	RAW MATERIALS	Color
From -50°C to +150°C	9024099: PET multifilament 9024112: PET Monofilament	Black

MAIN APPLICATIONS

TWISTTUBE® 2420F is a self-wrapping sleeve designed to provide abrasion protection and acoustical noise suppression. its self-wrapping design allows for quick and easy bundling of wire and cable assemblies

Total of product special characteristics: 0

GEOMETRIC DIMENSIONS & TOLERANCING IN ACCORDANCE WITH ASME Y14.5M -1994 ANY CHANGE IN PROCESS OR COMPOSITION REQUIRES PRIOR ENGINEERING APPROVAL MONITOR PER APPROVED CONTROL PLAN INITIAL LAYOUT WITHIN SPEC. ONGOING CONTROL PER APPROVED CONTROL PLAN. INITIAL CAPABILITY 30 CONSECUTIVE PCS. Cpk > 1.67 ONGOING CONTROL USE SPC PER AIAG GUIDELINES. INITIAL CAPABILITY: 100 CONSECUTIVE PCS. Cpk > 1.67.	PROGRAM MANAGER Amel FATHALLAH DATE 03/09/20
	DRAWN Romain VERA DATE 03/09/20
	PRODUCT MANAGER Isabelle FRADIN DATE 03/09/20
	ENGINEERING Sophie PINCELOUP DATE 03/09/20
	Quality Ludovic AUCOUTURIER DATE 03/09/20
	TECHNICAL SERVICE Mélanie VERONNEAU DATE 03/09/20

METRIC DRAWING	
FEDERAL-MOGUL SYSTEMS PROTECTION	
MANUF. OF BENTLEYHARRIS® PROTECTION PRODUCTS	
TITLE: <h2 style="text-align: center;">TWISTTUBE® 2420F</h2>	69, rue Henri Laroche 60800 CREPY EN VALOIS, FRANCE TELEPHONE: 03 44 94 48 48 SIZE A3 REVISION E
DRAWING NO: 50856	
SCALE: NTS	
SHEET 1 OF 1	