

# REHOBOT®

MADE IN SWEDEN

# POWER WITH HYDRAULICS

## INDUSTRIAL PRODUCTS

PRODUCT OVERVIEW



# 256 TON

HAND PUMPS, ELECTRICAL PUMPS, PETROL  
DRIVEN PUMPS, AIR DRIVEN PUMPS,  
CYLINDERS, HOLLOW SHAFT CYLINDERS,  
COMPACT CYLINDERS, ACCESSORIES

[www.rehobot.se](http://www.rehobot.se)



# ABOUT REHOBOT HYDRAULICS

REHOBOT Hydraulics is a successful Swedish company. We develop, manufacture and market products & systems based on high-pressure hydraulics. Our high quality solutions are often used for Service & Maintenance purposes in harsh environments.

Our products are associated with a high quality and are well known. Mainly through the previous trademark of NIKE Hydraulics which REHOBOT acquired in 2010. The product range includes hydraulic pumps, cylinders, lift & garage equipment, tools and rescue equipment. Our business is divided into three main business areas:

- Industrial
- Automotive
- Rescue

REHOBOT has its head office in Sweden, Scandinavia where all manufacturing and R&D is done. Through our sales subsidiaries located in United Kingdom, USA and China we achieve a presence covering the entire world. We are also represented in other parts of the world through a broad network of authorized dealers, distributors & service partners.

## WE SOLVE YOUR PROBLEMS

We have a solid experience developing and producing solutions based on high pressure hydraulics. New products are often the result of a design which usually become a part of a complete hydraulic solution. Always solving the requirements of our customers' power problems! With the base in our 80 years of experience, we constantly develop cost effective solutions in terms of power, performance & functionality.

## WE ARE STRONGER TOGETHER

Our products are marketed and distributed in many parts of the world by an extensive dealer- and service network. You as a customer are also always welcome to contact REHOBOT directly or any of our subsidiaries. Together with our partners and customers we constantly create a mutual business success. No challenge is big enough and we look forward to work together with you.

# ALWAYS EXCEEDING YOUR EXPECTATIONS!

Quality has and always will be the base of REHOBOT's success. Our goal is to always exceed your expectations! This hallmark partly arise by the quality of our products, but also thanks to our comprehensive customer service & support., short leadimes & delivery accuracy.

Our hydraulic solutions for Industrial, Rescue and Automotive applications consist of tools and components which can be found in many different industries and among users world-wide.

Process, mining, steel, construction and shipbuilding are just some of the many areas we serve. The product range includes hydraulic pumps, cylinders and a wide selection of accessories. Push-pull kits, puller for ball bearings & bushings, power tools such as spreaders and cutting tools, all constitute a part of our product offering.

Working in close collaboration and partnership with leading OEM's REHOBOT develop customized products & original equipment. We are always open to listen to your specific request and are often able to meet your demands.

We make sure our solutions always meet the customers unique needs and ensure a long and mutually profitable partnership.

REHOBOT Hydraulics are certified in accordance with ISO 9001 & ISO 14001 - standards.



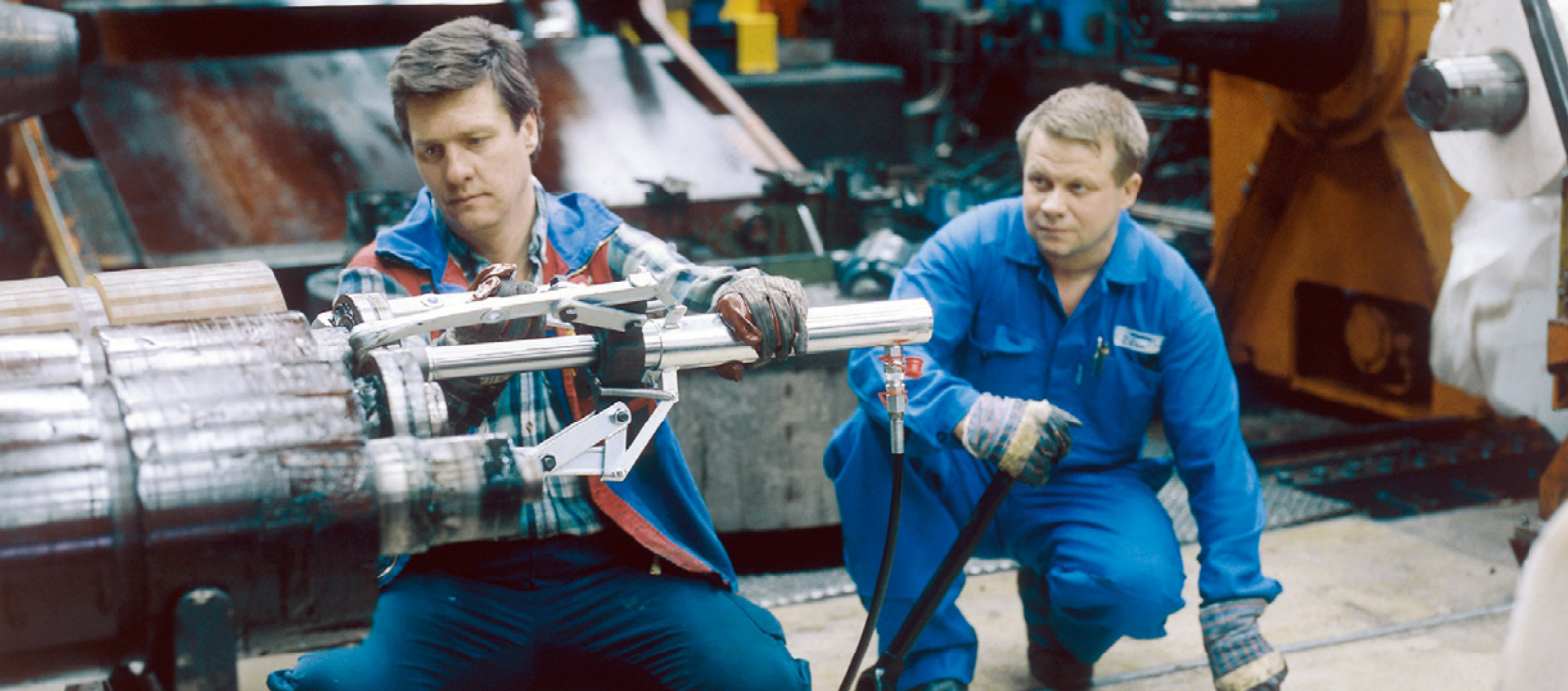
*REHOBOT's products are suitable for use in harsh environments.*



*Lifting capacity and stroke can be adjusted to match the application that the cylinders are used in.*



*Custom made pumps developed for the Automotive industry. Constantly challenged to improve automotive productivity.*



# PUMPS – CREATING POWER!

REHOBOT pumps have a functional design to withstand rough handling in harsh environments. The use can be found in many different applications & industries. The pumps can be used with all hydraulic tools and cylinders in the REHOBOT's product range.

REHOBOT pumps are used worldwide and every possible environment. Some examples can be found within the engineering, automotive, mining and petrochemical industries.

We are happy to tailor the pumps to our customers' needs, thus providing flexible and cost effective solutions.

Our designs are based on long experience within the field of hydraulics. The results are pumps that are easy to repair & service - which saves time and money! The life of REHOBOT products is extremely long. Our pumps provide power that will last for generations!

**Hand driven pumps** – are easy to move and requires no external power source. Hand pumps are economical, flexible, ergonomically designed and are excellent where subtle control is required.

**Air driven pumps** – an affordable option with faster and more efficient operation compared with hand pumps. Requires access to compressed air.

**Electrically driven pumps** – the best choice when a large capacity is needed, e.g. for operation of multiple cylinders. The pumps can easily be expanded to operate multiple tools through different valve systems. Requires access to an external electrical power source.

**Petrol driven pumps** – a good alternative when a mobile pumping unit is required, for example on construction sites and shipyards. Requires no external power source.

If hydraulic equipment already exists, the choice of the pump and accessories can be tailored to meet the requirement.

We are happy to provide our knowledge and solutions!

## REHOBOT PUMPS HAS

- High performance
- High quality
- Functional design
- Ergonomic & simple to operate

## PUMP SERIES

- PH - series - One stage hand pump
- PHS - series - Two stage hand pump
- PME - series - Electrical driven pumps
- PMP - series - Petrol driven pumps
- PP - series - Air driven pumps

## PH - 1 STAGE HAND PUMPS

One stage hand pumps in the PH series has a simple yet highly functional design with few moving parts. They are real work horses that will last a long time. All pumps can be equipped with a pressure gauge permitting the user to manage and control the force which the pump generates with a high accuracy.

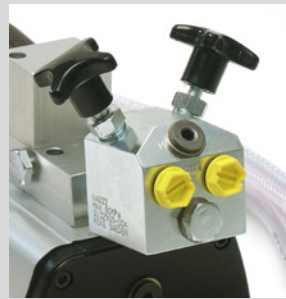
PH70-600/LS201 - Pump PH70-600 is also available fully assembled with a 2 m long hose (LS201ES) including a quick coupling AQI7 and swivel ASE10.

**Technical tip:** We recommend using pressure gauge AMT801 with gauge adaptor AVM204 together with the PH- hand pump.



### PRESSURE GAUGES

Pump PH70-600 equipped with pressure gauge AMT801 & gauge adaptor AVM204, used for display of the hydraulic pressure.



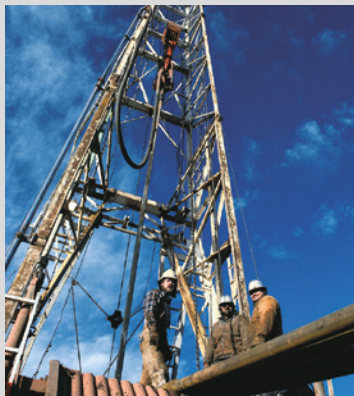
### SHUT-OFF VALVE

VAD22 shot off valve increase and improve the usage of the hand pump. Shut-off valves for hose- or direct assembly onto the pump is included in the range of accessories

Name	Part number	Working pressure MPa	Eff. oil volume cm <sup>3</sup>	Capacity cm <sup>3</sup> /stroke	Pump force N	Length mm	Width mm	Height mm	Weight kg
PH70A-600	49100	70	600	2.9	450	590	90	170	4.5
PH70A-1000	49101	70	1000	2.9	450	590	110	170	5.2
PH80A-600	49102	80	600	2.9	515	590	90	170	4.5
PH80A-1000	49103	80	1000	2.9	515	590	110	170	5.2

**Note:** The hydraulic connection interface on all PH-pumps is constituted by a G1/4" threaded port.

**Technical tip:** We recommend using a Swivel coupling (ASE10) or a female Quick coupling (AQI7) together with coupling nipple (AAU436) & sealing (part number 17009) attaching hydraulic hoses to the PH - hand pump series.



## PHS - 2 STAGE HAND PUMPS

The REHOBOT 2-stage PHS hand pump comes with a pressure gauge as standard. This gives the user a precise and safe control over the work carried out. The gauge is directly mounted onto the pump and well protected by the specially designed pump lever. The 2-stage function makes the pump simple to operate permitting the cylinder or hydraulic tool to reach its working position much faster compared with 1-stage pumps.



- Hydraulic return connection on all pumps
- Robust aluminium tank with low weight and simple filling of oil
- Needle release valve - offers full control and precision when releasing the hydraulic pressure
- Mounting holes for fixed installations

PHS70-1000/LS201 - The pump PHS70-1000 is also available fully assembled with a 2 m long hose (LS201ES) including a quick coupling AQI7 and swivel ASE10.

Name	Part number	Working pressure MPa	Eff. oil volume cm <sup>3</sup>	Capacity cm <sup>3</sup> /stroke		Pump force N	Pressure gauge Type	Length mm	Width mm	Height mm	Weight kg
				High-pressure	Low-pressure						
PHS70-300	44411	70	300	1	20	350	AMT801	320	110	170	6
PHS70-1000	44400	70	1000	2	20	320	AMT801	620	110	170	8.1
PHS70-2400	44405	70	2400	2	20	320	AMT801	620	110	170	9.9
PHS70-4000	44875	70	4000	2	20	320	AMT801	620	185	170	13.7
PHS80-300	44412	80	300	1	20	400	AMT801	320	110	170	6
PHS80-1000	44401	80	1000	2	20	360	AMT801	620	110	170	8.1
PHS80-2400	44406	80	2400	2	20	360	AMT801	620	110	170	9.9
PHS80-4000	44876	80	4000	2	20	360	AMT801	620	185	170	13.7
PHS100-1000	44402	100	1000	1	20	230	TX104	620	110	170	8.3
PHS100-2400	44407	100	2400	1	20	230	TX104	620	110	170	10.1
PHS150-1000	44403	150	1000	1	20	370	TX104	620	110	170	8.3
PHS150-2400	44408	150	2400	1	20	370	TX104	620	110	170	10.1
PHS150-1000L	44899	150	1000	1	20	370	AMT151	620	110	170	8.5
PHS150-2400L	44903	150	2400	1	20	370	AMT151	620	110	170	10.3
PHS240-2400L <sup>*)</sup>	44910	240	2400	0.7	20	460	AMT301	620	110	170	10.3

<sup>\*)</sup> Ultra high working pressure! Be careful selecting the accessories for this pump. All components needs to be design for ultra high pressures. The hydraulic connection interface on PHS240-2400L is constituted by a 9/16" - 18 threaded port with 60° Internal cone.

**Note:** The hydraulic pressure & return connection interface on all other PHS-pumps is constituted by two G1/4" threaded ports.

**Technical tip:** We recommend using a Swivel coupling (ASE10) or a female Quick coupling (AQI7) together with coupling nipple (AAU436) & sealing (part number 17009) when attaching hydraulic hoses to the PHS - hand pump series.



### PRESSURE GAUGE

All pumps in the PHS-series comes with a pressure gauge as standard. Different units for the representation of pressure or load can be offered.



### PRESSURE VALVES

Each PHS-pump in the pressure range of 70-80 MPa can be equipped with a directional valve. This enable operation of double acting cylinders or hydraulic tools.



## PME - ELECTRICALLY DRIVEN PUMPS

REHOBOT's electrically driven hydraulic pumps are reliable, versatile and easy to use. All pumps has a double-speed operation with automatic switching between high and low pressure at 2 MPa - 6 MPa depending on the pump type.

The low-pressure unit is a gear pump that gives a high flow up to the switching pressure. The high-pressure unit is a single or double-piston pump.

PME70-2030ADV and PME70-2030MRV are equipped with foot actuated pedal for on/off control. All other models have a start/stop button placed on the motor.

Description of the valve alternatives:

**ADV** - Automatic release valve. Oil returns to tank when motor is switched off. The pressure built up in the tool then drops and the tool returns automatically. For crimping, cutting or press tools that are used in high-frequency applications. Not for lifting applications!

**MRV** - Manual release valve. Suitable when you want to maintain the pressure in the tool for an extended period and have a controlled release. Recommended usage with tools for cable crimping or cutting.

**AP** - Adapter plate. This pump has no valve, but simply a connecting plate with G1/4" pressure & return ports.

**MLS** - With lever valve for single-acting tool/cylinder.

**MLD** - With lever valve for double-acting tool/cylinder.

**SS** - With solenoid valve for single-acting tool/cylinder (24 V DC). Remote control TRC230-24 or external input control is needed.

**SD** - With solenoid valve for double-acting tool/cylinder (24 V DC). Remote control TRC230-24 or external input control is needed.

Name	Part number	Working pressure MPa	Eff. oil volyme cm <sup>3</sup>	Capacity cm <sup>3</sup> /stroke		Motor V/kW	Length mm	Width mm	Height mm	Weight kg
				Low pressure	High pressure					
PME70-2030ADV	43005	70	3200	2700	300	230/0.55	285	285	520	23
PME70-2030MRV	43006	70	3200	2700	300	230/0.55	335	285	520	23
PME70-2030AP	43000	70	3200	2700	300	230/0.55	285	285	520	23
PME70-2030MLS	43001	70	3200	2700	300	230/0.55	330	285	520	24
PME70-2030MLD	43002	70	3200	2700	300	230/0.55	330	285	520	24
PME70-2030SS	43003	70	3200	2700	300	230/0.55	380	300	520	27
PME70-2030SD	43004	70	3200	2700	300	230/0.55	380	300	520	27
PME70A-4100AP	43007	70	10000	7500	1600	400/2.2	335	370	575	45
PME70A-4100MLS	43008	70	10000	7500	1600	400/2.2	375	370	575	46
PME70A-4100MLD	43009	70	10000	7500	1600	400/2.2	375	370	575	46
PME70A-4100SS	43010	70	10000	7500	1600	400/2.2	430	370	575	49
PME70A-4100SD	43011	70	10000	7500	1600	400/2.2	430	370	575	49
PME70A-4200AP	43012	70	20000	7500	1600	400/2.2	460	525	525	62
PME70A-4200MLS	43013	70	20000	7500	1600	400/2.2	480	525	525	63
PME70A-4200MLD	43014	70	20000	7500	1600	400/2.2	480	525	525	63
PME70A-4200SS	43015	70	20000	7500	1600	400/2.2	460	525	525	66
PME70A-4200SD	43043	70	20000	7500	1600	400/2.2	460	525	525	66

*Note: The hydraulic pressure & return connection interface on all PME-pumps are constituted by two G1/4" threaded ports.*

**Technical tip!** The pumps can be equipped with a pressure gauge. We always recommend the use of REHOBOT original parts: for instance pressure gauge AMT801 and gauge adapter AAM14 for the PME - pumps.



## PMP - PETROL DRIVEN PUMPS

Hydraulic petrol-driven pumps with a high oil flow rate. Petrol-driven pumps are a good alternative when you need a mobile pump that does not require an external power source. Examples are on building sites, shipyards and in rescue situations

- Double-speed pumps with automatic switching between low and high pressure.
- Supplied with protective frame and rubber feet.
- Open design for effective cooling during operation.
- Can be equipped with hose reel and other accessories.

**MLS** - version is suitable for single acting tools.

**MLD** - version is suitable for double acting tools.

Name	Part number	Working pressure MPa	Eff. oil volyme cm <sup>3</sup>	Capacity cm <sup>3</sup> /stroke		Motor V/kW	Length mm	Width mm	Height mm	Weight kg
				Low pressure	High pressure					
PMP70-2100MLS	46248	70	2100	2350	550	1 cyl, 4-takt, 1.3 kW	337	280	397	15.4
PMP70-2100MLD	46249	70	2100	2350	550	1 cyl, 4-takt, 1.3 kW	337	280	397	16.9

*Note: The hydraulic pressure & return connection interface on all PME-pumps are constituted by two G1/4" threaded ports.*

**Technical tip!** The PMP pump can be equipped with a pressure gauge for instance pressure gauge AMT801. No gauge adaptor needed!

## PP - AIR HYDRAULIC PUMPS (1000-SERIES)

PP-1000 air hydraulic pumps are very compact pumps that work in any position, horizontally or vertically thanks to a rubber bladder built into the tank. The pumps can easily be operated by hand or foot.

- High oil flow.
- Easy to fill up and check oil level.
- Over pressure safety valve prevents overfilling of the tank during release operation which minimizes risk of injury!
- Return oil hose can easily be connected to oil reservoir filler hole.



*PP70-1000 - for these pumps are pressure gauge AMT801 and gauge adaptor AVM204 recommended.*

*PP70-1000 - these pumps can also be supplied with pre-mounted hose 2 m or 2,5 m, quick coupling (AQI7) and swivel coupling (ASE10). The product designation in such case is PP70-1000/LS201 (2m) or PP70-1000/LS250 (2,5m).*

Name	Part number	Working pressure MPa	Eff. oil volyme cm <sup>3</sup>	Capacity cm <sup>3</sup> /stroke		Air pressure MPa		Length mm	Width mm	Height mm	Weight kg
				Low-pressure	High-pressure	min	max				
PP70A-1000	49301	70	1000	750	170	0.6	1.2	439	100	174	5.9
PP80A-1000	49302	80	1000	600	160	0.6	1.2	439	100	174	5.9
PP100A-1000	49300	100	1000	600	120	0.6	1.2	439	100	174	5.9

*Note: The hydraulic connection interface on all PP - pumps is constituted by a G1/4" threaded port.*





## PP - AIR HYDRAULIC PUMPS (2100-SERIES)

- FP, RC and MRV models have built-in release valve that return oil to the tank.
- Level glass allows monitoring of oil level.
- All pumps are equipped with silencers.

PP-2100 series pumps are available in several different versions:

- FP** - with foot pedal for controlling start/stop and releasing.
- RC** - with 2,5 m remote control. Pump is controlled by two buttons on \* the control unit (start/stop and release).
- MLD** - with lever control valve for double acting hydraulic operation.
- MRV** - with ports for pressure and return connections. Lever valve for manual release. For use with tools that have their own valve or with a separate external valve.

*PP70-2100RC/MLD/MRV pumps we recommend gauge AMT801. No adapter is needed!*

*PP70-2100FP pumps, we recommend gauge AMT801 and gauge adapter ATM214 for attaching the gauge to the pump.*

Name	Part number	Working pressure MPa	Eff. oil volyme cm <sup>3</sup>	Capacity cm <sup>3</sup> /stroke		Air pressure MPa		Length mm	Width mm	Height mm	Weight kg
				Low-pressure	High-pressure	min	max				
PP70-2100FP	43529	70	2100	1000	200	0.7	1.2	324	154	215	9.6
PP70-2100RC	43532	70	2100	1000	200	0.7	1.2	324	154	203	10.4
PP70-2100MLD	43538	70	2100	1000	200	0.7	1.2	324	154	242	10
PP70-2100MRV	43544	70	2100	1000	200	0.7	1.2	324	154	199	9.3
PP80-2100FP	43534	80	2100	700	150	0.6	1.2	324	154	215	9.6
PP80-2100RC	43535	80	2100	700	150	0.6	1.2	324	154	203	10.4
PP80-2100MLD	43536	80	2100	700	150	0.6	1.2	324	154	242	10
PP80-2100MRV	43537	80	2100	700	150	0.6	1.2	324	154	199	9.3
PP100-2100FP	43530	100	2100	700	100	0.7	1.2	324	154	215	10.6
PP100-2100RC	43533	100	2100	700	100	0.7	1.2	324	154	203	11.2

*Note: The hydraulic connection interface on all PP - pumps is constituted by a G1/4" threaded port.*



### HYDRAULIC HOSES

Our original hoses are a black polyamide / polyurethane hose with steel reinforcement. The case provides good abrasion resistance and long life.

See accessories catalogue for more information on the hoses. and other accessories.



### QUICK COUPLINGS

Swivel couplings can be installed on the pump, cylinders or the hydraulic tool.

When using the swivel a variable (360°) coupling between the pump and hose is achieved.

## PP - AIR HYDRAULIC PUMPS (9000-SERIES)

PP-9000 series pumps are delivered with remote control. Pump is controlled by two buttons on the control unit (start/stop and release).

RC Pump with remote control. The pump is controlled by control buttons (start / stop loading and unloading).

- Large tank capacity (9 liter).
- Separate pressure gauge connection.
- Can easily be equipped with manifold blocks and valves for e.g. controlling more than one cylinder.



Name	Part number	Working pressure MPa	Eff. oil volyme cm <sup>3</sup>	Capacity cm <sup>3</sup> /stroke		Air pressure MPa		Length mm	Width mm	Height mm	Weight kg
				Low-pressure	High-pressure	min	max				
PP70-9000RC	46545	70	9000	1000	200	0.65	1.2	340	247	311	18.4
PP80-9000RC	46549	80	9000	700	150	0.6	1.2	340	247	311	18

*Note: The hydraulic pressure connection interface on all PP-pumps is constituted by a G1/4" threaded port.*

**Technical tip!** For these pumps we recommend gauge AMT801. No adapter is needed

# REHOBOT®

MADE IN SWEDEN

# POWER WITH HYDRAULICS

## HYDRAULIC CYLINDERS

PRODUCT OVERVIEW



# 256 TON

PUSH CYLINDERS, PULL CYLINDERS, HOLLOW  
SHAFT CYLINDERS, LOW WEIGHT CYLINDERS,  
STAINLESS CYLINDERS, COMPACT CYLINDERS

[www.rehobot.se](http://www.rehobot.se)



# CYLINDERS – HIGH POWER AT A LIMITED SPACE!

REHOBOT'S cylinders are designed to withstand rough handling in harsh environments. Their use are highly varied. The cylinders can be used wherever there is something which needs to be pulled, pushed or lifted.

REHOBOT's cylinders are used worldwide and in all possible environments. Some examples can be found within the engineering, automotive, mining and petrochemical industries.

The standard range of products is rich with cylinders of different strokes and capacity. We also provide a wide range of accessories extending the use of the cylinders.

We are happy to tailor the cylinders to our customers' needs. Something that enables flexible and cost effective solutions with virtually unlimited lifting capacity. The cylinders are an effective tool for all use ranging from small precision work to lifting of 500-ton bridge sections.

Our designs are based on a very long experience within the field of hydraulics. The results are cylinders which are easy to repair and service - saving time and money.

providing a low total cost of ownership for the user. The pistons on our cylinders are hard chromed, making them resistant to wear and free of rust. The life of REHOBOT's products is extremely long. - Our cylinders simply last for generations!

The choice of the cylinder is normally selected by the working operation, pressure range, stroke and boundary dimensions of the cylinder. Considerations when selecting the cylinder for a specific application should also be given to the available range various accessories like extension tubes, pressure heads etc. All to make the most out of the hydraulic solution.

When an existing hydraulic equipment is available, the selection of cylinder preferably become based on the existing equipment's pressure range. All to generatethe greatest flexibility and overall economy.

## REHOBOT - CYLINDERS HAS

- Hard chromed pistons, making them resistant to wear and free of rust.
- Galvanised cylinders for increaed corrosion resistance.
- Mechanical stop for the piston movement

## QUICK COUPLING ON CYLINDERS

- AQU8 quick coupling is normally mounted on all cylinders.
- AQI24 quick coupling (female) can be equipped during manufacturing. In such cases shall a "P" be added top the product designation, e.g. CF104P.

## CF/CFU - SINGLE ACTING PUSH CYLINDER WITH SPRING RETURN

CF cylinders are workhorses in REHOBOT's cylinder range. They can be used for a variety of purposes. They are included in our push and pull kits (for details see separate data sheet). The cylinders are designed for attachment of accessories in the piston pin or cylinder base.

CF cylinders are available with capacity up to 5 tons, 10 tons or 25 tons and stroke lengths between 127 mm - 300 mm. We also provide CF cylinders with extra long piston rods, the so called CFU - series.



Name	Part number	Pressure MPa	Capacity kN (t)	Stroke mm	Stroke volume cm <sup>3</sup>	Piston rod ø mm	Piston area cm <sup>2</sup>	Diameter mm	Height mm	Weight kg
CF104	27485	70	49 (5)	127	90	26.5	7.1	37.5	266	1.7
CF204	27486	70	49 (5)	200	142	26.5	7.1	37.5	339	2.4
CF110	43829	70	111 (11)	150	239	38	15.9	56.5	321	4.7
CF210	43830	70	111 (11)	200	318	38	15.9	56.5	372	5.5
CF310	43831	70	111 (11)	300	477	38	15.9	56.5	474	7
CF120	24178	70	232 (24)	127	422	60	33.2	84	337	10.2
CF220	24973	70	232 (24)	200	664	60	33.2	84	410	12.4
CF320	24974	70	232 (24)	300	996	60	33.2	84	510	16
CFU2010	43837	70	111 (11)	200	318	38	15.9	56.5	387	5.3
CFU2510	43838	70	111 (11)	250	398	38	15.9	56.5	437	6

## CFA - ALUMINIUM PUSH CYLINDERS WITH SPRING RETURN

REHOBOT push cylinders in the CFA series has a capacity between 23 & 50 tonnes and are made of aluminium. Aluminium provide superior performance in the relationship between capacity and weight (about 50% more power per kilo compared with similar cylinders made of steel). The cylinders are made out of high strength aluminium which gives it a much longer life compared with similar products on the market. The cylinder and piston are anodised for increased wear and corrosion protection.

CFA cylinders come as default with a top lip and a protective bottom plate of steel. All to warrant functionality even when the base and lifting point is rough.

*NOTE! Aluminium cylinders in REHOBOT product range are designed for use with low cycles which is normal during service & maintenance. These aluminium cylinders has been designed to provide a lifetime of at least 10,000 cycles at full pressure. The cylinders should not be used in applications with high cycle number. For such use, please contact your REHOBOT dealer for advice.*



Name	Part number	Pressure MPa	Capacity kN (t)	Stroke mm	Stroke volume cm <sup>3</sup>	Piston ø mm	Piston area cm <sup>2</sup>	Diameter mm	Height mm	Weight kg
CFA250-100	48978	70	230 (23)	100	332	60	33.2	100	212	4.4
CFA250-200	48980	70	230 (23)	200	664	60	33.2	100	312	5.9
CFA500-100	47153	70	500 (51)	100	709	85	70.9	140	224	9.2
CFA500-200	47160	70	500 (51)	200	1418	85	70.9	140	324	12.7
CFA750-100	47187	70	730 (74)	100	1039	100	103.9	170	235.5	14
CFA750-200	47188	70	730 (74)	200	2078	100	103.9	170	335.5	18.3
CFA1000-100	47163	70	930 (95)	100	1327	110	132.7	190	243	18.4
CFA1000-200	47171	70	930 (95)	200	2655	110	132.7	190	343	24.7

## CFC - COMPACT SINGLE ACTING, PUSH CYLINDERS WITH SPRING RETURN

CFC cylinders are real all-round cylinders. We offer a large number of variants of CFC cylinders with different properties such as capacity, stroke length and height. Everything to meet your requirements! The design allows small dimensions and built in measurements. The cylinders are fitted with scrapers to keep the piston clean from dirt, always ensuring proper function in harsh environments.

- Wiper polyurethane, positioned so that dirt can not penetrate between the piston rod and cylinder
- Corrosion protection - plated piston rod and electroplated cylinder
- Can be equipped with REHOBOT accessories

CFC cylinders are available in capacities between 5 to 100 tons. Models with 5 t, 10 t, 15 t and 25 tons capacity can be fitted with adapters for mounting of accessories such as pressure heads and chains extending the use of the cylinder



Name	Part number	Pressure MPa	Capacity kN (t)	Stroke mm	Stroke volume cm <sup>3</sup>	Piston ø mm	Piston area cm <sup>2</sup>	Diameter mm	Height mm	Weight kg
CFC51	40184	70	49 (5)	27	19	25	7	38	110	0.8
CFC53	40186	70	49 (5)	77	55	25	7	38	165	1.2
CFC55	40188	70	49 (5)	127	90	25	7	38	216	1.5
CFC57	40190	70	49 (5)	181	128	25	7	38	273	1.9
CFC59	40192	70	49 (5)	232	165	25	7	38	324	2.2
CFC101	40235	70	111 (11)	25	40	38	16	57	90	1.5
CFC102	40237	70	111 (11)	54	86	38	16	57	121	2
CFC104	40239	70	111 (11)	105	167	38	16	57	171	2.7
CFC106	39849	70	111 (11)	155	247	38	16	57	247	4
CFC108	39850	70	111 (11)	206	328	38	16	57	298	4.6
CFC1010	39851	70	111 (11)	257	409	38	16	57	349	5.3
CFC1012	39852	70	111 (11)	305	485	38	16	57	400	6
CFC1014	39853	70	111 (11)	356	566	38	16	57	451	6.8
CFC151	40264	70	166 (17)	25	59	48	24	70	124	3
CFC152	40266	70	166 (17)	51	121	48	24	70	149	3.5
CFC154	40268	70	166 (17)	101	240	48	24	70	200	4.5
CFC156	39881	70	166 (17)	152	361	48	24	70	272	6.5
CFC158	39882	70	166 (17)	203	482	48	24	70	322	7.5
CFC1510	39883	70	166 (17)	254	603	48	24	70	373	8.5
CFC1512	39884	70	166 (17)	305	725	48	24	70	424	9.5
CFC1514	39885	70	166 (17)	356	846	48	24	70	475	10.9
CFC251	39940	70	232 (24)	25	83	60	33	85	140	5.1
CFC252	39941	70	232 (24)	51	169	60	33	85	165	5.9
CFC254	39942	70	232 (24)	101	335	60	33	85	216	7.7
CFC256	39943	70	232 (24)	159	528	60	33	85	273	9.7
CFC258	39944	70	232 (24)	209	694	60	33	85	324	11.5
CFC2510	39945	70	232 (24)	260	863	60	33	85	375	13.3
CFC2512	39946	70	232 (24)	311	1032	60	33	85	426	15
CFC2514	39947	70	232 (24)	362	1201	60	33	85	476	17
CFC502	40292	70	496 (51)	53	376	80	71	127	176	16
CFC504	40294	70	496 (51)	104	737	80	71	127	227	19
CFC506	40296	70	496 (51)	159	1127	80	71	127	282	23
CFC5013	40298	70	496 (51)	337	2389	80	71	127	460	35
CFC756	40344	70	727 (74)	155	1610	100	104	146	282	30
CFC7513	40345	70	727 (74)	333	3459	100	104	146	492	48
CFC1006	40388	70	929 (95)	168	2230	100	133	175	359	54
CFC10010	40389	70	929 (95)	260	3451	100	133	175	450	65



## CL - LOW PUSH CYLINDERS WITHOUT SPRING RETURN

- Compact measurements and space limited design
- Prepared with mounting holes for fastening
- Exchangeable reinforced pressure head

CL-cylinders are ideal for those who need a compact installation dimensions. Holes in cylinder bottom makes them easy to integrate into the application.

Name	Part number	Pressure MPa	Capacity kN (t)	Stroke mm	Stroke volume cm <sup>3</sup>	Piston ø mm	Piston area cm <sup>2</sup>	Diameter mm	Height mm	Weight kg
CL50-25	35680	70	49 (5)	25	18	26	7.1	39	60	0.7

## CLF - LOW PUSH CYLINDERS WITH SPRING RETURN

CLF cylinders are the right choice for those who need flexible cylinders with small dimensions. With capacities ranging from 5 tons to 200 tons makes them suitable for lifting and other for purposes. Threaded mounting holes make them easy to integrate into various applications.

The CLF series is also REHOBOT's smallest cylinder - CLF50-10 reach an height of only 37 mm, but with an incredible 5-ton lifting capacity. Cylinders CLF670-45 and CLF1100-40 are equipped with a removable handle to facilitate their handling.



Name	Part Number	Pressure MPa	Capacity kN (t)	Stroke mm	Stroke volume cm <sup>3</sup>	Piston ø mm	Piston area cm <sup>2</sup>	Diameter mm	Height mm	Weight kg
CLF50-10	35132	70	50 (5)	10	7.1	24	7.1	60	37	0.6
CLF110-10	35133	70	111 (11)	10	15.9	35	15.9	80	43	1.5
CLF110-30	47067	70	111 (11)	28	44.5	35	15.9	65	75	1.8
CLF220-13	35320	70	218 (22)	13.5	42.1	50	31.2	100	50	2.6
CLF220-50	37553	70	218 (22)	50	156	50	31.2	85	107	3.9
CLF450-15	35305	70	445 (45)	15	95.4	60	63.6	134	68	6.4
CLF450-40	47071	70	445 (45)	40	254.4	60	63.6	120	120	8.8
CLF670-15	35413	70	665 (68)	15	142.5	80	95	146	78	9.2
CLF670-45	47075	70	665 (68)	45	427.5	80	95	146	130	14.3
CLF1100-15	35166	70	1078 (110)	15	231	100	154	180	90	17
CLF1100-40	47079	70	1078 (110)	40	616	100	154	180	140	23.7
CLF1500-15	35485	70	1498 (153)	15	321	125	214	220	100	28
CLF2000-16	35490	70	1985 (202)	16	454	140	284	250	110	40



### HYDRAULIC HOSES

Our original hoses are a black polyamide / polyurethane hose with steel reinforcement. The case provides good abrasion resistance and long life.

See accessories catalogue for more information on the hoses and other accessories.



### QUICK COUPLINGS

Swivel couplings can be installed on either pump, cylinders or on the hydraulic tools.

When using the swivel a variable (360 °) coupling between the pump and hose is achieved.



## CX - SINGLE ACTING PUSH CYLINDERS FOR HIGH LOADS

CX-series cylinders reach up to 250 ton lifting capacity. They are specially designed to cope with oblique loads. The CX-cylinder is also equipped with special piston guidance, a patented cylinder design which eliminates the risk of damage to the piston during movement.

CX250-100 may upon request be manufactured in double-action designs and with other strokes. Please contact your REHOBOT dealer or us directly.

CX series are approved for pressures up to 80 MPa (800 bar).

Name	Part number	Pressure MPa	Capacity kN (t)	Stroke mm	Stroke vol. cm <sup>3</sup>	Piston ø mm	Piston area cm <sup>2</sup>	Diameter mm	Height mm	Weight kg
CX250-100	49460	80	2513 (256)	100	3140	180	314	250	285	79

## CSF - STAINLESS SINGLE ACTING PUSH CYLINDERS WITH SPRING RETURN

- CSF-cylinders are available with 11 ton (13\*) to 88 (100\*) tons capacity and with 50 to 200 mm stroke length.
- Designed to compensate oblique loads better than conventional cylinders.
- Manufactured in stainless steel with hard chromitid piston.

All CSF - cylinders are equipped with spring return, stripping and quick coupling. Model CSF350 has also a carrying handle mounted on the cylinder frame.

\*CSF-series are approved for working pressures up to 80 MPa (800 bar).



Name	Part number	Pressure MPa	Capacity kN (t) at 70MPa	Capacity kN (t) at 80MPa	Stroke mm	Stroke vol. cm <sup>3</sup>	Piston ø mm	Piston area cm <sup>2</sup>	Diameter mm	Height mm	Weight kg
CSF110-50	45092	80	111 (11)	127 (13)	50	80	45	15,9	58	134	2,3
CSF110-100	45094	80	111 (11)	127 (13)	100	159	45	15,9	58	184	3,0
CSF110-150	45096	80	111 (11)	127 (13)	150	238	45	15,9	58	234	3,7
CSF220-25	45098	80	218 (22)	249 (25)	25	78	63	31,2	80	115	3,7
CSF220-50	45100	80	218 (22)	249 (25)	50	156	63	31,2	80	140	4,4
CSF220-100	45102	80	218 (22)	249 (25)	100	312	63	31,2	80	190	5,9
CSF220-150	45104	80	218 (22)	249 (25)	150	467	63	31,2	80	240	7,3
CSF220-200	45106	80	218 (22)	249 (25)	200	623	63	31,2	80	290	8,7
CSF350-50	45108	80	352 (36)	402 (41)	50	241	80	50,2	105	146	8,5
CSF350-100	45110	80	352 (36)	402 (41)	100	502	80	50,2	105	196	11,0
CSF350-200	45112	80	352 (36)	402 (41)	200	1005	80	50,2	105	296	15,6
CSF550-50	45114	80	550 (56)	628 (64)	50	393	100	78,5	130	160	14,0
CSF550-100	45116	80	550 (56)	628 (64)	100	785	100	78,5	130	210	17,7
CSF550-200	45118	80	550 (56)	628 (64)	200	1570	100	78,5	130	310	24,9
CSF860-50	45120	80	859 (88)	982 (100)	50	613	125	122,6	160	183	23,7
CSF860-100	45122	80	859 (88)	982 (100)	100	1227	125	122,6	160	233	28,9
CSF860-200	45124	80	859 (88)	982 (100)	200	2453	125	122,6	160	333	39,3



## CH/CHF - SINGLE ACTING STEEL HOLLOW CYLINDERS



CH / CHF hollow cylinders can due to the through-hole be used for both push or pull operations. For example, by inserting a rod through the cylinder, the compression force permit the cylinder to be used for pulling operations.

CH / CHF cylinders have a capacity of 6 tons to 51 tons and is very compact in its exterior dimensions. That makes them suitable for integration into applications.

CHF62 cylinder has, as opposed to CH62, a spring return functions.

Name	Part number	Pressure MPa	Capacity kN (t)	Stroke mm	Hollow diameter mm	Stroke vol. cm <sup>3</sup>	Piston ø mm	Piston area cm <sup>2</sup>	Diameter mm	Height mm	Weight kg
CH62	42503	70	61 (6)	51	17	44.7	30	8.8	55	110	1.6
CHF62	45244	70	61 (6)	51	17	44.7	30	8.8	55	136	2

## CHFA - SINGLE ACTING ALUMINIUM HOLLOW CYLINDERS

CHFA series consists of cylinders made of aluminium. This makes the products up to 50% lighter than comparable models made out of steel. Due to its construction, hollow cylinders can be used for both push and pull operations. For example, by inserting a rod through the cylinder, the compression force also be used for pulling operations.

CHFA cylinders are available with capacities between 13 tons to 103 tons and stroke lengths up to 150 mm.

**NOTE!** Aluminium cylinders in REHOBOT product range is designed for use with low cycles which is normal during service & maintenance. These aluminium cylinders has been designed to provide a lifetime of at least 10,000 cycles at full pressure. The cylinders should not be used in applications with high cycle number.

For such use, please contact your REHOBOT dealer for advice.



Name	Part number	Pressure MPa	Capacity kN (t)	Stroke mm	Hollow diameter mm	Stroke cm <sup>3</sup>	Piston ø mm	Piston area cm <sup>2</sup>	Diameter mm	Height mm	Weight kg
CHFA132	45862	70	123 (13)	52	22	92	40	17.6	80	165	2.3
CHFA136	46602	70	123 (13)	153	22	270	40	17.6	80	310	4
CHFA182	46621	70	176 (18)	51	26	128	45	25.1	94	171	3
CHFA184	46622	70	176 (18)	102	26	256	45	25.1	94	246	4
CHFA262	46641	70	255 (26)	51	32	186	60	36.4	115	180	4.9
CHFA266	46642	70	255 (26)	153	32	557	60	36.4	115	323	8.7
CHFA372	46661	70	358 (36)	51	39	261	70	51.2	136	189	6.9
CHFA376	46662	70	358 (36)	153	39	784	70	51.2	136	327	12
CHFA504	47733	70	508 (52)	104	51	756	80	72.7	160	276	14.7
CHFA673	46681	70	659 (67)	77	54	726	100	94.2	185	250	18
CHFA676	46682	70	659 (67)	153	54	1442	100	94.2	185	350	25
CHFA1003	46701	70	1010 (103)	77	66	1111	120	144.3	227	284	29
CHFA1006	46702	70	1010 (103)	153	66	2208	120	144.3	227	391	40

## CD - DOUBLE ACTING CYLINDERS

CD - cylinders are double acting cylinders and used when there is a need for power at the piston return movement. CD cylinder capacity reach between 45 tons to 200 tons, and 25 tons to 80 tons depending on the working pressure.

CD1100 - models are equipped with external thread M180x3.

CD2000 - the model's maximal operating pressure is 80 MPa.

All cylinders have a maximum working pressure of 70 MPa (in case there are exceptions, these are mentioned in the text below).



Name	Part number	Capacity		Stroke mm	Stroke volume		Piston ø mm	Piston area		Diameter mm	Height mm	Weight kg
		push kN (t)	pull kN (t)		push cm <sup>3</sup>	pull cm <sup>3</sup>		push cm <sup>2</sup>	pull cm <sup>2</sup>			
CD450-75	33465	445 (45)	247 (25)	75	477	265	60	64	36	130	150	13.5
CD670-150	31061	665 (68)	313 (32)	150	1425	672	80	95	45	146	300	34
CD1100-100	33073	1077 (110)	285 (29)	100	1539	408	120	154	41	180	297	55
CD1100-150	31060	1077 (110)	285 (29)	150	2309	614	120	154	41	180	353	66
CD2000-150	38950	2035 (207)	804 (82)	150	3817	1507	140	255	100	250	300	105

## CPF - PULL CYLINDERS

CPF cylinders are pulling cylinders of 5 tons or 11 tons capacity. They are part of REHOBOT push and pull kits having threads on the piston top and cylinder bottom for attachment of accessories.

CPF cylinders are used, for example when reshaping welded structures.



Name	Part number	Pressure MPa	Capacity kN (t)	Stroke mm	Stroke volume cm <sup>3</sup>	Piston ø mm	Piston area cm <sup>2</sup>	Diameter mm	Height mm	Weight kg
CPF705	27300	70	45 (5)	125	80	20	6	48	412	2.4
CPF709	27280	70	110 (11)	127	199	32	16	70	436	5.9



## LS - HYDRAULIC HOSES

**High Pressure Hose (2800 - 6250 bar burst pressure)** - is a black polyamide / polyurethane hose with steel reinforcement. Polyurethane provides good abrasion resistance and a lifetime exceeding other standard rubber hoses on the market. The hoses are delivered with with 2 seals (part no. 17009). All hoses have the same connection thread type on both ends of the hose.

*NOTE! We recommend that you always dimension by 3-4 fold margin of safety between the hydraulic systems maximum working pressure and burst pressure of the hose.*

### High pressure hoses (2800 - 6250 bar burst pressure)

Name	Length mm	ø Inner/Outer mm	Connection thread	Burst pressure MPa/bar
LS51ES	500	6,3/13,5	G1/4"	280/2800
LS101ES	1000	6,3/13,5	G1/4"	
LS151ES	1500	6,3/13,5	G1/4"	
LS201ES	2000	6,3/13,5	G1/4"	
LS251ES	2500	6,3/13,5	G1/4"	
LS301ES	3000	6,3/13,5	G1/4"	
LS401ES	4000	6,3/13,5	G1/4"	
LS501ES	5000	6,3/13,5	G1/4"	
LS1001ES	10000	6,3/13,5	G1/4"	
LS303EB	3000	4,7/11,5	G1/4"	
LS204ER	2000	4,7/13	9/16" UNF <sup>1)</sup>	625/6250
LS304ER	3000	4,7/13	9/16" UNF <sup>1)</sup>	625/6250

1) Delivered with 9/16" UNF internal thread and a 60° external sealing cone.

### Highly flexible hydraulic hoses

This is a black rubber hose reinforced with two layers of braided steel reinforcement. The hose is well-suited for flexible installations. The hose are delivered with two seals (part no. 17009).

Name	Length mm	ø Inner/Outer mm	Connection thread	Burst pressure MPa/bar
LS150ES	1500	6,3/15,5	G1/4"	160/1600
LS200ES	2000	6,3/15,3	G1/4"	
LS250ES	2500	6,3/15,5	G1/4"	

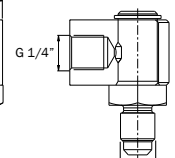
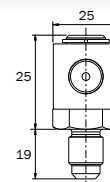
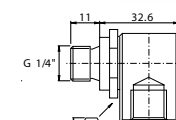
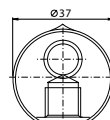
## ASE - SWIVEL COUPLINGS

Name	Connection thread	Max. working pressure
ASE10	G1/4"	80 MPa / 800 bar
ASE15	G1/4"	150 MPa / 1500 bar

Swivel couplings can be mounted on booth cylinders, pumps or other hydraulic tools. By means of the swivel coupling you get an flexible connection between pump/tool and hose. This means more flexible operation of the tools, especially in combined spaces.

Swivel couplings can rotate 360° - even under pressure. ASE10 is delivered with one seal (17009).

ASE15 does not require additional sealing when mounted on a hydraulic unit with conical connection interface.



ASE10

ASE15



## AQ - QUICK COUPLINGS

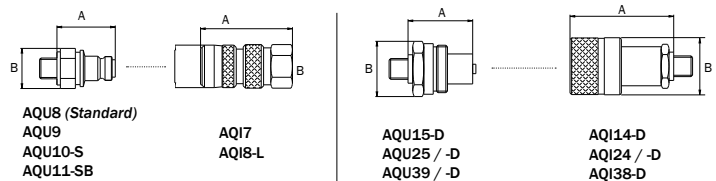
All quick couplings from REHOBOT have a check valve and are supplied with seals and protection caps made of metal or plastic.

- Insert and screw type couplings.
- Interchangeable with many other brands on the market.



Protection caps prevent contamination of the hydraulic system. Screw type couplings permit a higher flow rate than insert type couplings.

COUPLING & SUITABLE COUNTER COUPLINGS



Name	Type	Male	Female	Max. pressure MPa/bar	Int. thread	Ext. thread	Locking ring	A mm	B mm	Flow l/min***	Dust protection	
											Standard	Alternative
AQ17	Insert		•	100/1000	G 1/4"	(1)		60	27	6	TDP26	-
AQ18-L			•	100/1000	G 1/4"	(1)	•	60	27	6	TDM26	-
AQU8		•		100/1000	(2)	G 1/4"		39	25	6	TDP23	TDM23
AQU9		•		100/1000		G 3/8"		62,5	25	6	TDP23	TDM23
AQU10-S*		•		100/1000	(2)	G 1/4"		40,5	25	6	TDP23	TDM23
AQU11-		•		100/1000	(2)	G 1/4"		40,5	25	6	TDP23	TDM23
AQ14-D	Screw		•	100/1000		NPT	•	48,5	30	15	TDM14	-
AQU15-D		•		100/1000		NPT		34	30	15	TDM15	-
AQ124			•	100/1000	(3)	G 1/4"	•	72	36	35	TDP24	-
AQ124-D			•	100/1000	(3)	G 1/4"	•	72	36	35	TDM24	-
AQU25		•		100/1000	(3)	G 1/4"		52	35,5	35	TDP25	-
AQU25-D		•		100/1000	(3)	G 1/4"		52	35,5	35	TDM25	-
AQ138-D			•	100/1000		NPT		68	36	35	TDM24	-
AQU39		•		100/1000		NPT		39	35,5	35	TDP25	-
AQU39-D		•		100/1000		NPT		39	35,5	35	TDM25	-

1) Addition of nipple AAU436 gives G1/4" external thread.  
 2) Removal of nipple AAU436 gives G1/4" internal thread.  
 3) Addition of nipple AA1456 gives G1/4" internal thread.

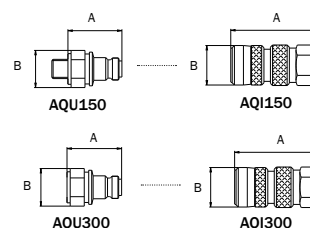
\* Coupling AQU10-S has a built-in hose rupture valve.  
 \*\* Coupling AQU11-SB has a built-in flow restriction/check valve.  
 \*\*\* Flow rate at 0,4 MPa(4 bar) pressure drop.

TDP = Plastic dust protection  
 TDM = Metal dust protection

## AQ - QUICK COUPLINGS (ULTRA-HIGH PRESSURES)

Ultra high pressure systems puts high demands on the quality of the used components. Therefore should always REHOBOT approved accessories be selected when working with ultra high pressures.

- Quick couplings up to 300 MPa.



Name	Type	Male	Female	Max. pressure. MPa/bar	Int. thread	Ext. thread	A mm	B mm	Flow l/min**	Dust protection
AQ1150	Insert		•	150/1500	G 1/4"	-	60	27	6	Plastic
AQ1300			•	300/3000		(2)	64	30	4,6	Plastic
AQU150		•		150/1500	(1)	G 1/4"	62,5	25	6	Plastic
AQU300		•		300/3000		(2)	55,3	25	4,6	Plastic

1) Removal of nipple AAU436 gives G1/4" internal thread with 120° sealing cone.  
 2) Adapter is required: AAU241, AAU242 or AAU243  
 \* Female thread with internal 120° sealing cone  
 \*\*\* Flow rate is measured at 0,4 MPa(4 bar) pressure drop

## AAE / TX - COUPLING NIPPLES

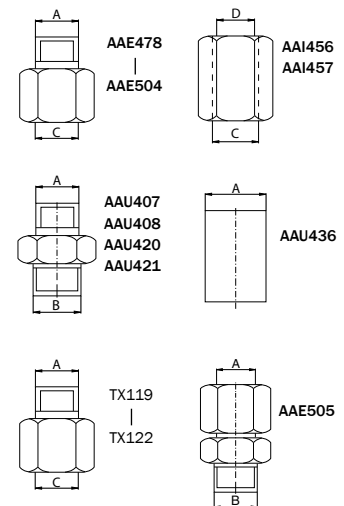
Coupling nipples from REHOBOT Hydraulics for hydraulic systems guarantee connectivity. The nipples can be used to adjust the thread dimensions of cylinders, hoses or ports.

*Note! Please observe that seals are not included in (advise the table below to find the appropriate seal for your coupling nipple).*



Name	Max. pressure MPa	A Ext. thread	B Ext. thread	C Int. thread	D Int. thread	Seal type (see below)
AAE478	80	G 1/4"	-	G 3/8"	-	A = 2 C = 3
AAE482		G 3/8"	-	G 1/4"	-	A = 3 C = 2
AAE487		G 1/2"	-	G 1/4"	-	A = 4 C = 2
AAE497	100	NPTF 3/82"-18	-	G 1/4"	-	A = - C = 2
AAE498		G 1/4"	-	NPTF 1/4"-18	-	A = 2 C = -
AAE499	80	G 1/4"	-	NPTF 3/8"-18	-	A = 2 C = -
AAE502	150	G 1/4"	-	G 1/4"	-	A = 2 C = 2
AAE504		G 1/4"	-	G 1/4"	-	A = 2 C = 2
AAE505*		G 1/4"	-	G 1/4"	-	A = 2 C = 2
AAI456	80	-	-	G 1/4"	G 1/4"	C = 2 D = 2
AAI457		-	-	G 1/4"	G 3/8"	C = 2 D = 3
AAU407	100	G 1/4"	G 3/8"	-	-	A = 2 B = 3
AAU408		G 1/4"	G 1/2"	-	-	A = 2 B = 4
AAU420		G 1/4"	NPTF 1/4"-18	-	-	A = 2 B = -
AAU421		G 1/4"	NPTF 3/8"-18	-	-	A = 2 B = -
AAU436		G 1/4"	-	-	-	A = 2
TX119	100	KR 3/8"	-	G 1/4"	-	A = - B = 2
TX120	80	G 1/8"	-	KR 3/8"	-	A = 1 B = -
TX121	100	G 1/8"	-	G 1/4"	-	A = 1 B = 2
TX122		G 1/4"	-	G 1/8"	-	A = 2 B = 1

\*AAE505 - Coupling nipple with swiveling function (before tightening).



## SEALS

Seal type	Part no	For thread
1	01044650	G <sup>1</sup> / <sub>8</sub> "
2	17009	G <sup>1</sup> / <sub>4</sub> "
3	16217	G <sup>3</sup> / <sub>8</sub> "
4	14192	G <sup>1</sup> / <sub>2</sub> "

To ensure a proper sealing should the sealing be selected in accordance with the table above. This ensures a hydraulics system without leakage.

## TY - HYDRAULIC OIL

Name	Volyme liter	Oil grade
TY41	1	ISO VG10
TY45	5	ISO VG10

Hydraulic oil of high quality guarantees excellent functionality of your hydraulic system.

Oil grade ISO VG10 or better should always be used with REHOBOT components.

### Accessories for 150 MPa systems

Hydraulic system operating at 1500 bar or more can be dangerous if the systems are not sealed properly.

Even if all components individually are approved for 1500 bar or more, there are other factors to consider.

Everything for the safe use of ultra high hydraulic systems.

Contact us for more information!



## AB / AF / ATI - MANIFOLD BLOCKS

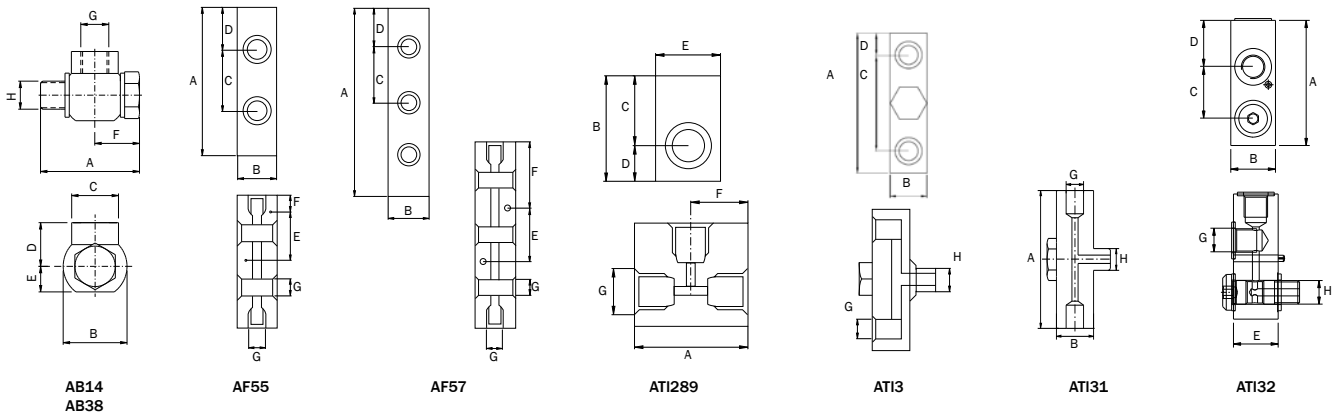
If you want to build sophisticated hydraulic systems, manifold blocks will may a necessary part of it.

The manifold block is used to distribute the hydraulic flow over serveal individual ports in order to use the same pump for one or more hydraulic tools or cylinders.



*Note: In order to plug any unused holes, use plug part number 16536 and seal with part number 17009. The seal is also used for sealing between the holes in manifold blocks and hose.*

Name	Max. pressure MPa/bar	A mm	B mm	C mm	D mm	E mm	F mm	G Int. thread	H Ext. therad
AB14	100/1000	45	30	22	20,5	12	21	G 1/4"	G 1/4"
AB38		45	30	22	20,5	12	21	3/8"-18	G 1/4"
AF55		100	30	40	30	40	10	G 1/4"	-
AF57		140	30	40	30	40	50	G 1/4"	-
ATI289	150/1500	45	40	27	13	25	22,5	G 1/4"	-
ATI3		85	25	60	12,5	-	-	G 1/4"	G 1/4"
ATI31		85	25	-	-	-	-	G 1/4"	G 1/4"
ATI32		70	25	29	15	25	-	G 1/4"	G 1/4"



### DUAL LIFTING

Manifold blocks are a necessity for many advanced applications in high pressure hydraulics, such as the lifting of two or more cylinders.

With accessories from REHOBOT, you always get parts that fit your equipment at 100%.

### MULTIPLE HYDRAULIC PORTS

Gauge adaptor AAM14 used for gauge type TX103 and TX104 can be mounted directly on the manifold blocks.

In order to plug any unused hole, use plug 16536 and seal 17009.

The seal is also used for sealing between holes in manifold blocks and hoses.

## VALVES OVERVIEW

REHOBOT offers many different type of valves. Ranging from shut-off valves, with regulating functions, directional valves and other valves for safety purposes.

*Note! Seals are always included for valves with trough hollow screw i.e. VAD2 & VAT3.*

*Valve types without needs to be supplemented with seals.*


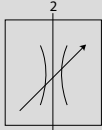
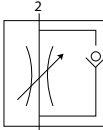
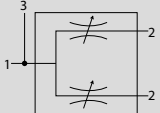
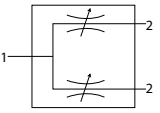
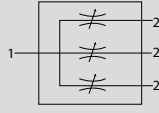
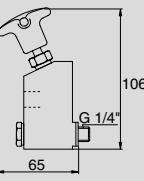
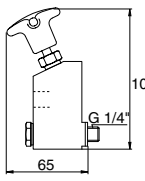
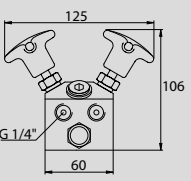
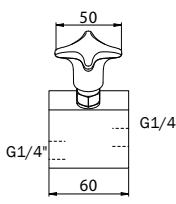
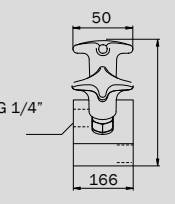
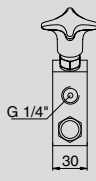
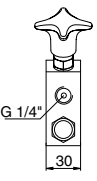
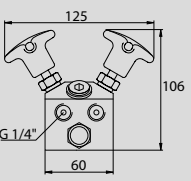
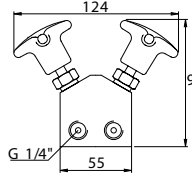
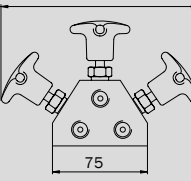
*For thread G 1/4" use part number 17009.*



## VA / VAD / VAT - SHUT-OFF VALVE

Name	VA14	VAB114	VAD22	VAD2	VAT3
Max pressure MPa/bar	100/1000	80/800	80/800	80/800	80/800
Special function	-	Built in ball valve on/off function.	Built in gauge port	-	-
Mounting principle	Fixed mounting on hydraulic unit via G1/4"	Fixed mounting on hydraulic unit via G1/4"	Fixed mounting on hydraulic unit via G1/4"	For hose assembly	For hose assembly
Number of ports	2	2	2	3	4

 <p>VA14</p>					
					
					



### SHUT-OFF VALVE

VAD22 mounted on a hydraulic pump model PP70-2100RC.

VAD22s shut-off valve increases the usability of the pump by dividing the hydraulic flow into two separate ports.



### GAUGES & ADAPTOR

Pump PH70-500 equipped with a pressure gauge AMT801 & gauge adaptor AVM204, used for display of the hydraulic pressure.

Several different units on the gauges can be supplied by REHOBOT.



**VR / VRH - DIRECTIONAL VALVES**

**VR / VRF - PRESSURE REGULATING VALVES**

Name	VR42	VRH43
Max pressure MPa/bar	80/800	80/800
Hold function	-	Yes

Name	VR30	VRF31	VR150*
Max pressure MPa/bar	70/700	70/700	150/1500
Comment	Adjustable	Preset at 70 MPa	Adjustable <sup>1)</sup>

*Note!* Please observe that seals are not included. For thread G 1/4" we recommend seal with part number 17009.

*Note!* Please observe that seals are not included. For thread G 1/4" we recommend seal part number 17009 and for thread G 1/2" we recommend seal part no 14192.

\* - Especially designed for hand pumps in the PHS-series.

1) - Adjustable pressure between 50 - 150 MPa.

**VS - SAFETY VALVE**

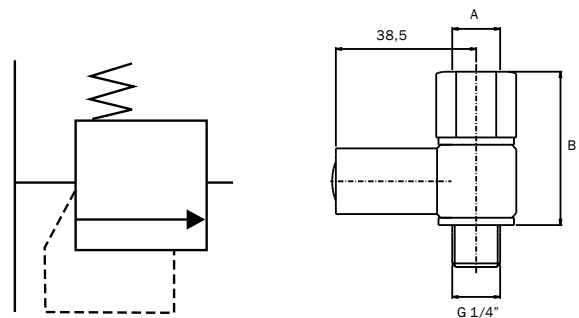
Name	Preset pressure	A	B
	MPa	Int. thread	mm
VS14-90	90 - 95	G 1/4"	42
VS14-100	100 - 105	G 1/4"	42
VS38-90	90 - 95	NPT 3/8"	46
VS38-100	100 - 105	NPT 3/8"	46



A safety valve is a useful component for preventing excessive pressures in a hydraulic system. These valves are primarily designed for use on the return side of double acting hydraulic cylinders, and are preset at the factory for maximum pressure as shown in the table. The preset pressure must NOT be changed!

- Preset pressure at 95 or 105 MPa.
- Prevents your hydraulic system from pressure overload.

*Note!* If the preset pressure is exceeded then oil will leak out. You must therefore ensure that the user is protected against pressurised oil. Always install the safety valve in an enclosure or protected area.



## AMP / AMT / AMZ / TX - PRESSURE GAUGES

Gauges permit visual monitoring of the force and/or pressure generated by a hydraulic pump. This helps prevent accidental overloading and contributes to prolonging the life of your hydraulic equipment.

There are also fluid-damped gauge models available which are recommended if there is a risk of pressure surges. Gauges with customised scales can be supplied on request.

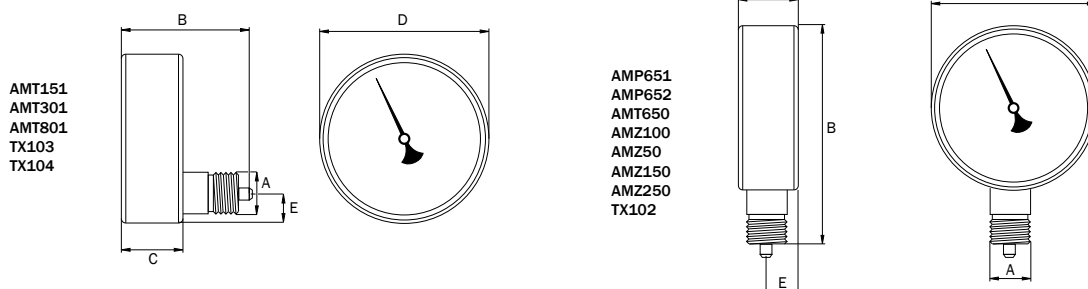
AMT801 and TX104 are fluid-damped gauges.

AMT801, TX103 and TX104 - these gauges can be connected directly to PHS-series hand pumps. Gauge adapters are not necessary.



Name	Number of scales	Measurement range	Scale division	Piston diameter mm	Piston area cm <sup>2</sup>	A mm	B mm	C mm	D mm	E mm
AMP651	5	-40 kN	2 kN	30 45 65	7 16 33	G 1/2"	137	45	100	18
		-100 kN	10 kN							
		-200 kN	10 kN							
		-70 MPa	2 MPa							
AMP652	5	-10000 psi	500 psi	90 110 140	64 95 154	G 1/2"	137	45	100	18
		-400 kN	20 kN							
		-600 kN	50 kN							
		-70 MPa	2 MPa							
AMT650	2	-100 MPa	2 MPa			G 1/2"	137	45	100	18
		-14000 psi	500 psi							
AMT151	2	-160 MPa	5 MPa			M20x1,5	76,5	45	112	24
		-23000 psi	500 psi							
AMT301	2	-310 MPa	10 MPa			M20x1,5	76,5	45	112	24
		-45000 psi	1000 psi							
AMT801	2	-100 MPa	5 MPa			G 1/4"	50	28,5	60	15
		-15000 psi	1000 psi							
AMZ100	1	-1000 kN	50 kN	140	154	G 1/2"	137	45	100	18
AMZ50	2	-500 kN	20 kN	100	79	G 1/2"	137	45	100	18
		-50 ton								
AMZ150	2	-17 ton	1 ton	55	23,7	G 1/2"	137	45	100	18
		-700 bar	20 bar							
AMZ250	2	-24 ton	1 ton	65	33,1	G 1/2"	137	45	100	18
		-700 bar	20 bar							
TX102	3	-4 ton	1 ton	30 45	7 16	G 3/8"	130	45	100	18
		-10 ton	1 ton							
		-600 bar	50 bar							
TX103*	1	-160 MPa	5 MPa			G 1/4"	50	30	66	10,5
TX104*	2	-160 MPa	5 MPa			G 1/4"	50	30	62	9
		-20000 psi	1000 psi							

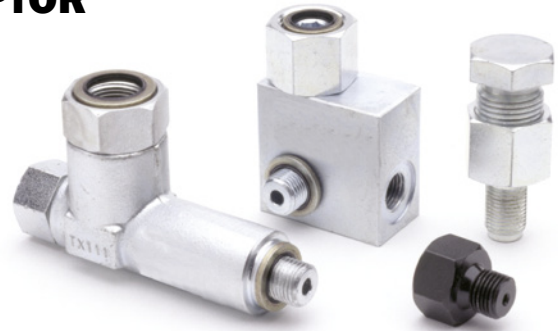
\* TX103 & TX104 can be connected directly on standard hand pumps within the PHS-series. Gauge adaptor not required!



## AAM / AVM / TX / ATM - GAUGE ADAPTOR

Whatever combination of pump and gauge you might have, we can offer the right adapter. Gauge adapters AAM201, AVM202 and TX111 have swiveling connection threads for gauge connection.

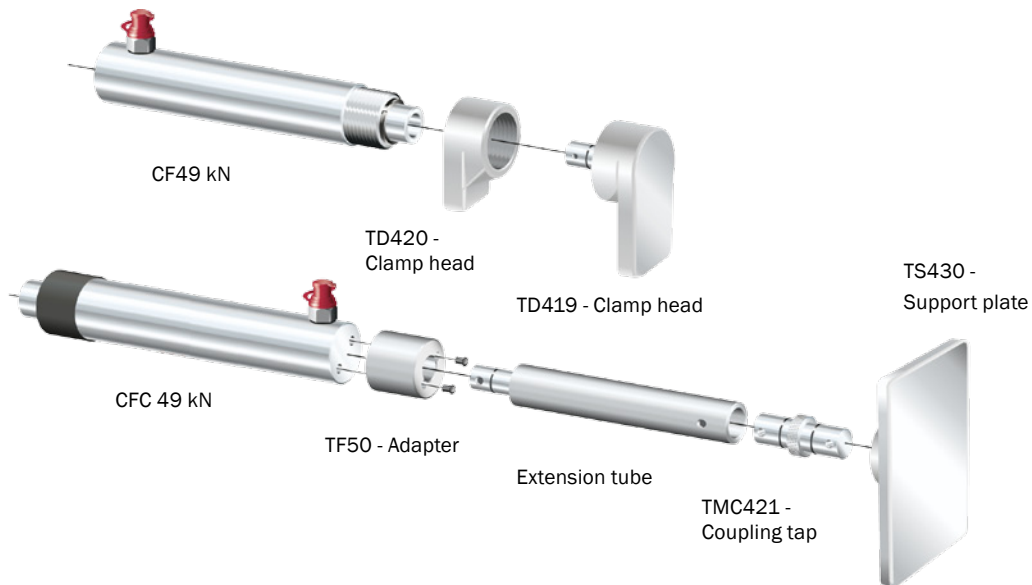
*Note! Gauge adaptors needs to be supplemented with additional seals. For thread G 1/4" use part number 17009.*



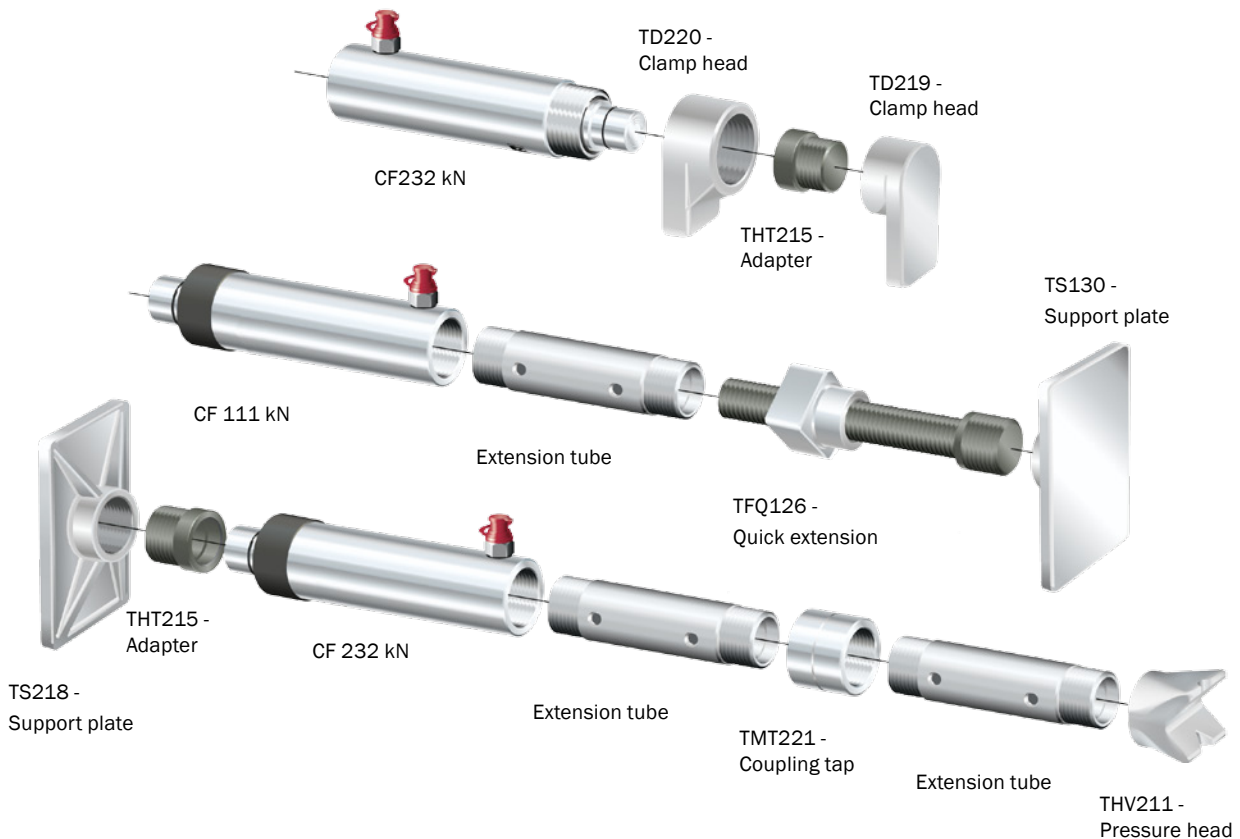
Name	For perssure gauge	Ext. thread A	Int. thread B	Int. thread C	Max. pressure MPa/bar	
AAM14	AMT801, TX103, TX104	G 1/4"	-	G 1/4"	150/1500	
AAM201	AMP651, AMP652, AMT650, AMZ50, AMZ100, AMZ150, AMZ250	G 1/4"	-	G 1/2"	100/1000	
AVM202	AMP651, AMP652, AMT650, AMZ50, AMZ100, AMZ150, AMZ250	G 1/4"	G 1/4"	G 1/2"	100/1000	
AVM204	AMT801, TX103, TX104	G 1/4"	G 1/4"	G 1/4"	150/1500	
TX111	TX102	G 1/4"	G 1/4"	G 3/8"	80/800	
ATM214	AMT801, TX103, TX104	G 1/4"	G 1/4"	G 1/4"	100/1000	

## ACCESSORIES FOR CF & CFC - SERIES

For CF / CFC cylinders (49 kN)



For CF / CFC cylinders (111 & 232 kN)



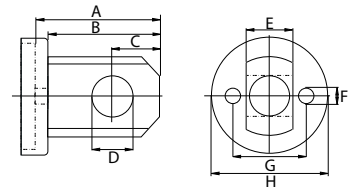
Cylinders within the CF and CFC series are flexible cylinders. Both series include a wide range of products with respect to stroke lengths and performance. Both series are prepared to be equipped with accessories. By the use of adapters, accessories can be mounted on top or at the bottom of CFC cylinders.

In order to connect accessories to the base plate of CFC cylinders, adapter TG50 (for 5 ton CFC cylinders), TFG100 (for 10 ton CFC cylinders) or TFG250 (for 25 ton CFC cylinders) are required.

## TCF - CLEVIS EYE

For CFC - cylinders, used for adapting the cylinder base

- Making CFC-cylinders flexible and suitable for push & pull applications.
- Suitable for CFC cylinders 49 kN - 232 kN.

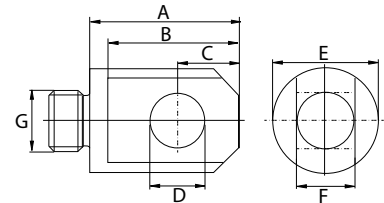


Name	For cylinder type	A	B	C	D	E	F	G	H	J
		mm	mm	mm	ø mm	mm	ø mm	mm	ø mm	ø mm
TCF50	49 kN/5 ton	48	41,5	16	16	14,2	7	25	44,5	29
TCF100	111 kN/10 ton	67	60,5	25,5	22,35	25,4	8,5	40	63,5	43
TCF150	166 kN/15 ton	67	60,5	25,5	22,35	25,4	10	48	77	43
TCF250	232 kN/25 ton	80	73,25	31,75	31,75	38,1	13,5	59	95	57

## TKF - CLEVIS EYE

For CFC - cylinders used for adapting the cylinder base

- Making CFC - cylinders flexible and suitable for push & pull applications.
- Suitable for CFC cylinders 49 kN - 232 kN.

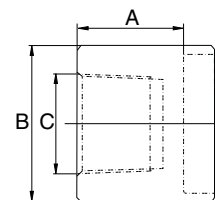


Name	For cylinder type	A	B	C	D	E	F	G
		mm	mm	mm	ø mm	ø mm	ø mm	
TKF50	49 kN/5 ton	41,5	34	16	16	29	14,2	3/4"-16 UNF
TKF100	111 kN/10 ton, 166 kN/15 ton	62	54	25,5	22,35	43	25,4	1"-8 UNC
TKF250	232 kN/25 ton	74,5	66,5	31,8	31,75	57	38,1	1 1/2"-16 UN

## TF / TFG - ADAPTER

For CFC - cylinders, used for adapting the cylinder base

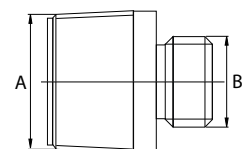
Name	For cylinder type	A	B	C
		mm	ø mm	
TF50	49 kN/5 ton	39	44,5	ø 19 mm
TFG50	49 kN/5 ton	39	44,5	3/4"-14 NPT
TFG100	111 kN/10 ton	45	65	1 1/4"-11 1/2 NPT
TFG250	232 kN/25 ton	50,5	98	2"-11 1/2 NPT



## THT - ADAPTRAR

For CFC - cylinders, used for adapting the cylinder piston

Name	For cylinder type	A	B
THT50	49 kN/5 ton	3/4"-14 NPTF	3/4"-16 UNF
THT100*	111 kN/10 ton	1 1/4"-11 1/2 NPT	1"-8 UNC
THT250	232 kN/25 ton	2"-11 1/2 NPT	1 1/2"-16 UN



## PRESSURE HEADS & EXTENSION TUBES

For CF & CFC cylinders

REHOBOT has a wide range of pressure heads for lifting, straightening or other operations.

*Note! The maximal allowable extension varies per cylinder capacity. When using extension tubes there is a risk of cracking of the extension tubes. Extensions also reduces the capacity of the cylinder. See the graphic below for more information.*



### TH - PRESSURE HEADS

### TFP - EXTENSION TUBES

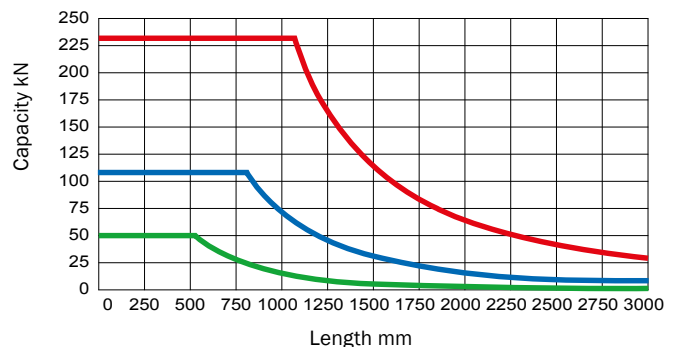
Name	Description	Connction
<i>For cylinders CF 49 kN/5 ton</i>		
TH414	Pressure head, plain	Tap Ø 19 mm
THG413	Pressure ball ø 3"	Hole Ø 19 mm
THK412	Pressure head, pointed	Tap Ø 19 mm
THR415	Pressure head, grooved	Tap Ø 19 mm
THV411	Pressure head V-notched	Tap Ø 19 mm
<i>For cylindrar CF &amp; CFC <sup>1)</sup> 111 kN/10 ton</i>		
TH117	Pressure head, plain	Int. NPT 1 1/4-11 1/2
THG113	Pressure ball ø 3"	Int. NPT 1 1/4-11 1/2
THK112	Pressure head, pointed	Int. NPT 1 1/4-11 1/2
THR114	Pressure head, grooved	Int. NPT 1 1/4-11 1/2
THT115	Pressure head, ext. thread NPT 1 1/4-11 1/2	Hole Ø 32 mm
THV111	Pressure head V-notched	Int. NPT 1 1/4-11 1/2
THV118	Pressure head V-notched	Int. NPT 1 1/4-11 1/2
<i>For cylinder CF &amp; CFC <sup>2)</sup> 232 kN/25 ton</i>		
THK212	Pressure head, pointed	Int. NPT 2-11 1/2
THR214	Pressure head, grooved	Int. NPT 2-11 1/2
THT215	Pressure head ext. thread NPT 2-11 1/2	Hole Ø 48 mm
THV211	Pressure head, V-notched	Int NPT 2-11 1/2

Name	Length mm	Hollow
<i>For cylinder CF &amp; CFC <sup>1)</sup> 49 kN/5 ton</i>		
TFP401	76	ø 19
TFP402	127	ø 19
TFP403	254	ø 19
TFP404	381	ø 19
TFP405	551	ø 19
<i>For cylinder CF &amp; CFC <sup>2)</sup> 111 kN/10 ton</i>		
TFP101	76	NPT 1 1/4-11 1/2
TFP102	127	NPT 1 1/4-11 1/2
TFP103	254	NPT 1 1/4-11 1/2
TFP104	381	NPT 1 1/4-11 1/2
TFP105	585	NPT 1 1/4-11 1/2
TFP106	510	NPT 1 1/4-11 1/2
TFP107	760	NPT 1 1/4-11 1/2
<i>For cylinder CF &amp; CFC <sup>3)</sup> 232 kN/25 ton</i>		
TFP203	254	NPT 2-11 1/2
TFP204	508	NPT 2-11 1/2
TFP205	762	NPT 2-11 1/2

1) - Require adapter TFF50  
 2) - Require adapter TFG100  
 3) - Require adapter TFG250

1) - Require adapter THT100  
 2) - Require adapter THT150

### PERMISSIBLE EXTENSION FOR CF- & CFC - CYLINDERS



■ 232 kN CF/CFC ■ 111 kN CF/CFC ■ 49 kN CF/CFC





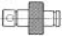















### OTHER ACCESSORIES

#### For CF & CFC cylinders

The accessories expand the usable range of the cylinder. Permitting the cylinder to be used for:

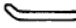






- Pushing applications
- Pulling applications



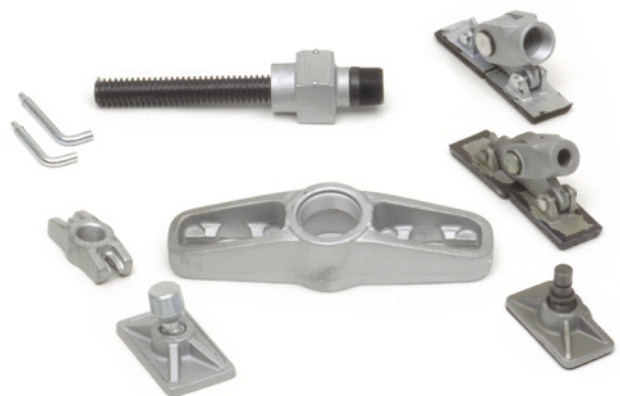
	Name	Connection
<i>For cylinders CF &amp; CFC* 49 kN/5 ton</i>		
	<b>TC428</b> Locking pin	-
	<b>TD419</b> Clamp head for piston (max 20kN)	Tap ø 19 mm
	<b>TD420</b> Clamp head for cylinder(max 20kN)	Int. UN 1 1/2-16
	<b>TMC421</b> Coupling tap	Tap ø 19 mm
	<b>TMC424</b> Adapter	Tap ø 19 mm
	<b>TS430</b> Support plate	Hole ø 19 mm
	<b>TSM431</b> Support plate, rubber covered, articulated tap	Tap ø 19 mm
	<b>TSM432</b> Base plate, self-adjusting	Hole ø 19 mm
* Accessories can be mounted on CFC - cylinder base by using adapter TF50		
<i>For cylinders CF &amp; CFC* 111 kN/10 ton</i>		
	<b>TC128</b> Locking pin	-
	<b>TD119</b> Clamp head for piston (max 50 kN)	Int. NPT 1 1/4-11 1/2
	<b>TD120</b> Clamp head for cylinder(max 50 kN)	Int. UN 2 1/4-14
	<b>TMC121</b> Coupling tap	Tap ø 32 mm
	<b>TMT122</b> Coupling nipple	Ext. 2x NPT 1 1/4-11 1/2
	<b>TMT124</b> Coupling nipple	Int. 2x NPT 1 1/4-11 1/2
	<b>TK107</b> Chain with hook (2 m)	-
	<b>TOK109</b> Chain yoke	Int. UN 2 1/4-14
	<b>TS130</b> Support plate	Int. NPT 1 1/4-11 1/2
	<b>TSM131</b> Support plate with articulated tap	Ext. NPT 1 1/4-11 1/2
	<b>TSM132</b> Base plate, self-adjusting	Int. NPT 1 1/4-11 1/2
	<b>TFQ126**</b> Quick extension	Int/ext. NPT 1 1/4-11 1/2

\* Accessories can be mounted on CFC - cylinder base by using adapter TFG100

\*\* To be used with extension tube TFP103 or higher.

	Name	Connection
<i>For cylinders CF &amp; CFC* 232 kN/25 ton</i>		
	<b>TC228</b> Locking pin	-
	<b>TD219</b> Clamp head (piston)	Inv. NPT 2-11 1/2
	<b>TD220</b> Clamp head (cylinder)	Inv. UN 3 5/16-12
	<b>TMC221</b> Coupling tap	Tapp ø 48 mm
	<b>TMT222</b> Coupling tap	Utv. 2x NPT 2-11 1/2
	<b>TMT224</b> Coupling tap	Inv. 2x NPT 2-11 1/2
	<b>TS218</b> Support plate	Inv. NPT 2-11 1/2

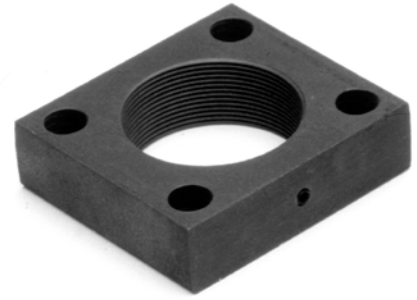
\* Accessories can be mounted on CFC - cylinder base by using adapter TFG250



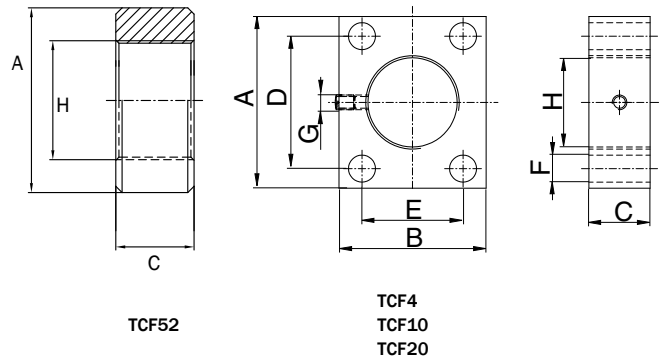
## TCF - CYLINDER FIXING

For CF & CFC - cylinders

- Permitting a CF/CFC to be mounted on a machine part by screw holes.
- TCF52 is supplied without fastening holes and used for welding.
- Fits CF/CFC cylinders from 49 kN - 232 kN



Name	TCF52	TCF4	TCF10	TCF20
For cylinders	49 kN/5 t	49 kN/5 t	111 kN/10 t	232 kN/25 t
A mm	∅ 59	70	90	140
B mm	-	60	80	120
C mm	25	25	25	25
D mm	-	54	67,5	106
E mm	-	41,2	57,5	86
F ∅ mm	-	11	13	17
G	-	M6	M6	M6
H	1 1/2" - 16UN	1 1/2"-16UN	2 1/4"-14UN	3 5/16"-12UN



## BENCH PRESSES

For CFC - cylinders

Bench presses are easy to place and only require a limited space. They are suitable for light work operations such as pressing bearings or bushings.

Complete bench presses are available in two versions. A (ZHB10) with REHOBOT air hydraulic pump PP70-1000 and the second version (ZMB6) utilized with REHOBOT hydraulic hand pump PHS70-700.

Name	Capacity kN	Stroke mm	Weight kg
ZHB10	111	305	47.5
ZMB6	111	305	47.5

Name	Description
ZB110	Press stand
TBV10	V-block

Included parts	ZHB10	ZMB6
Pump	PHS70-700	PP70-1000 *)
Cylinder	CFC1012	CFC1012
Quick coupling	AQI7	AQI7
Hose	LS151ES	LS251ES
Gauge adaptor	AVM202	AVM202
Pressure gauge	AMP651	AMP651
Frame	ZB110	ZB110
V-block	TBV10 (2 st)	TBV10 (2 st)

\*) Required air pressure 6-12 bar.





## ACCESSORIES FOR CHF & CHFA - SERIES TH - SADDLES

For CHF & CHFA - cylinders

Accessory saddles for hollow cylinders type CHF and CHFA, 6 to 100 tonnes.

For pressing or lifting applications it is recommended to use the grooved solid saddles (THR). We also offer two more types; with inner metric (THM) and UN (THU) threads. The saddles THH are supplied as standard on all CHFA cylinders.



Name	For cylinder	Inner dimension
THH6	-	-
THM6	CH/CHF62	M16
THU6	CH/CHF62	5/8"-11 UNC
THR6	CH/CHF62	Solid with grooves
THH13	CHFA132/136	Ø22 mm - standard
THM13	CHFA132/136	M20
THU13	CHFA132/136	3/4"-10 UNC
THR13	CHFA132/136	Solid with grooves
THH18	CHFA182/184	Ø26 mm - standard
THM18	CHFA182/184	M24
THU18	CHFA182/184	1"-8 UNC
THR18	CHFA182/184	Solid with grooves
THH26	CHFA262/266	Ø32 mm - standard
THM26	CHFA262/266	M30

Name	For cylinder	Inner dimension
THU26	CHFA262/266	1 1/4"-7 UNC
THR26	CHFA262/266	Solid with grooves
THH37	CHFA372/374	Ø39 mm - standard
THM37	CHFA372/374	M36
THU37	CHFA372/374	1 3/8"-6 UNC
THR37	CHFA372/374	Solid with grooves
THH67	CHFA673/676	Ø54 - standard
THM67	CHFA673/676	M52
THU67	CHFA673/676	2"-4 UNC
THR67	CHFA673/676	Solid with grooves
THH100	CHFA1003/1006	Ø66 - standard
THM100	CHFA1003/1006	M64
THU100	CHFA1003/1006	2 1/2"-4 UNC
THR100	CHFA1003/1006	Solid with grooves

## TS - CYLINDER SUPPORT PLATE

For CHFA - cylinders

Cylinder support plates suitable for CHFA single acting aluminium hollow cylinders are made of steel and are used for protecting the cylinder base against damages. TS cylinder support plates should always be used when the cylinder base is placed against hard material. A support plate is a simple and cost effective way to protect your cylinder.









Name	For cylinder kN	Weight kg
TS13	CHFA132/136	0,1
TS18	CHFA182/184	0,2
TS26	CHFA262/266	0,5

Name	For cylinder kN	Weight kg
TS37	CHFA372/376	0,7
TS67	CHFA673/676	1,5
TS100	CHFA1003/1006	2,8






## ACCESSORIES FOR CPF - SERIES

For cylinder CPF704 (49 kN)

	Name	Description	Connection
	TB441	Pull shackle	Int. NPT 3/4-14
	TBK410	Shackle with bolt	-
	TK408	Chain with hook (1600 mm)	-
	TMK427	Chain attachment	Int. NPT 3/4-14
	TMT422	Coupling nipple	Ext. 2x NPT 3/4-14
	TMT423	Coupling nipple	Int. NPT 3/4-14 Ext. NPT 1 1/4-11 1/2



For cylinder CPF709 (111 kN)

	Name	Description	Connections
	TB141	Pull shackle	Int. NPT 1 1/4-11 1/2
	TBK110	Shackle with bolt	-
	TK107	Chain with hook (2000 mm)	-
	TMK127	Chain attachment	Int. NPT 1 1/4-11 1/2
	TMT122	Coupling nipple	Ext. 2x NPT 1 1/4-11 1/2



## APPLICATION EXAMPLE



Accessories for CPF - pull cylinders makes it easy to direct the power where you need it.

The picture shows a CPF705 - cylinder with TK406 - Chain & TMK427 - bracket to power a brake test.



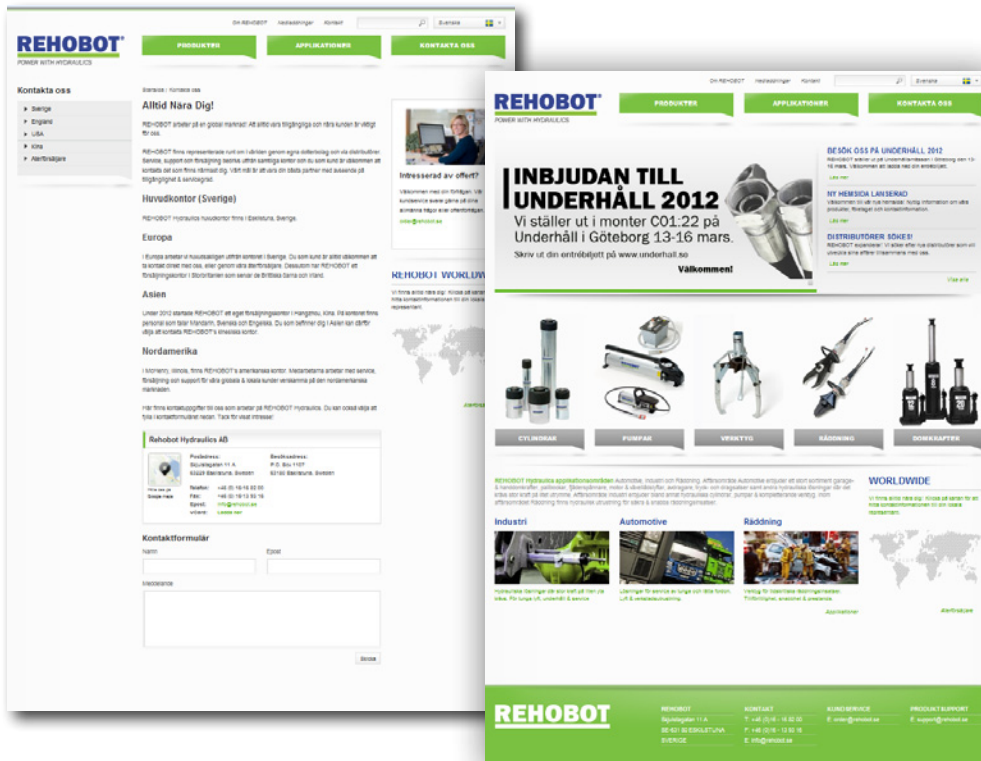
TB441



TMK427

## MORE INFORMATION - [www.rehobot.se](http://www.rehobot.se)

On our website we have gathered important information about our cylinders and other products from REHOBOT. You can for instance find information about the dimensions of our products, company presentation, accessories, applications and much more. You can also download Quality and environmental certificates, Declaration of Conformation and other related product documents.



## OTHER CATALOGUES

For information about the complete product range of REHOBOT, please contact us.

RESCUE EQUIPMENT



- Spreaders
- Hydraulic cutters
- Pipe sealing kit
- Door openers
- Rescue pumps
- Rescue kit

LIFTING SYSTEMS



- Bottle jacks
- Axle stands
- Lifting systems
- Fork lift jacks
- Trolley jacks
- Bottle jacks
- Transmission jacks



# REHOBOT HYDRAULICS AB

Since 1924 we have developed, manufactured and marketed high-pressure hydraulic solutions for service & maintenance purposes. The products can be found within the areas covered by our three business areas, Industrial, Automotive and Rescue.

Our headquarter is situated in Eskilstuna, Sweden. Today REHOBOT deliver high-pressure hydraulics worldwide. Success for us involve exceeding limitations and to develop smart solutions for our customers' power problems.

REHOBOT HYDRAULICS stands for Quality, Reliability & Service. Our products are marketed by ourselves but also through dealers. We have subsidiaries in the U.S., England and China. In addition to these, we work with partners in more than 70 countries which always ensure that our customers receive the best possible service, wherever they are!

## "HYDRAULICS WITH BUILT-IN NATURAL FORCES USED IN A VAST NUMBER OF APPLICATIONS"

# REHOBOT®

MADE IN SWEDEN

#### REHOBOT HYDRAULICS AB

P.O. Box 1107  
SE-631 80 Eskilstuna, SWEDEN  
T: + 46 (0)16 16 82 00  
F: + 46 (0)16 13 93 16  
info@rerobot.se

#### REHOBOT LTD (China)

4F2 HengLi Building No. 5  
HuangLong Rd Xihu District  
Hangzhou, 310013 P.R.C  
T: +86 571 871 06 106  
F: +86 571 872 06 109  
info@rerobot.cn

#### REHOBOT INC (USA)

3980 W. Albany, Unit #1  
MCHENRY, IL 60050, USA  
T: +1 815 385 7777  
F: +1 815 385 7776  
info@rerobot.us

#### REHOBOT LTD (UK)

Unit 6, Stechford Trading Estate  
Lyndon Road, Stechford  
BIRMINGHAM B33 8BU, UK  
T: + 44 121 789 77 07  
F: + 44 121 789 68 66  
info@rerobot.co.uk

[www.rerobot.se](http://www.rerobot.se)

### Visit our website

Keep updated by visiting REHOBOT on the Internet. On our site you find the latest information about our products, contact information to your local REHOBOT - dealer, dates for future exhibitions, catalogues for download & much more.

[www.rerobot.se](http://www.rerobot.se)