



HK精密伺服蜗轮减速机

HK 90

HK50 HK63 HK75
HK90 HK110 HK130
HK150

50

5、7.5、10、15、20、
25、30、40、50、60、
80、100

S1

S1:平键实心轴
S2:平键空心轴

F

F:输出法兰

电机代号

电机生产商
及电机型号

例:HK90-50-S1-F/施耐德BCH1304N11A

减速机性能参数：

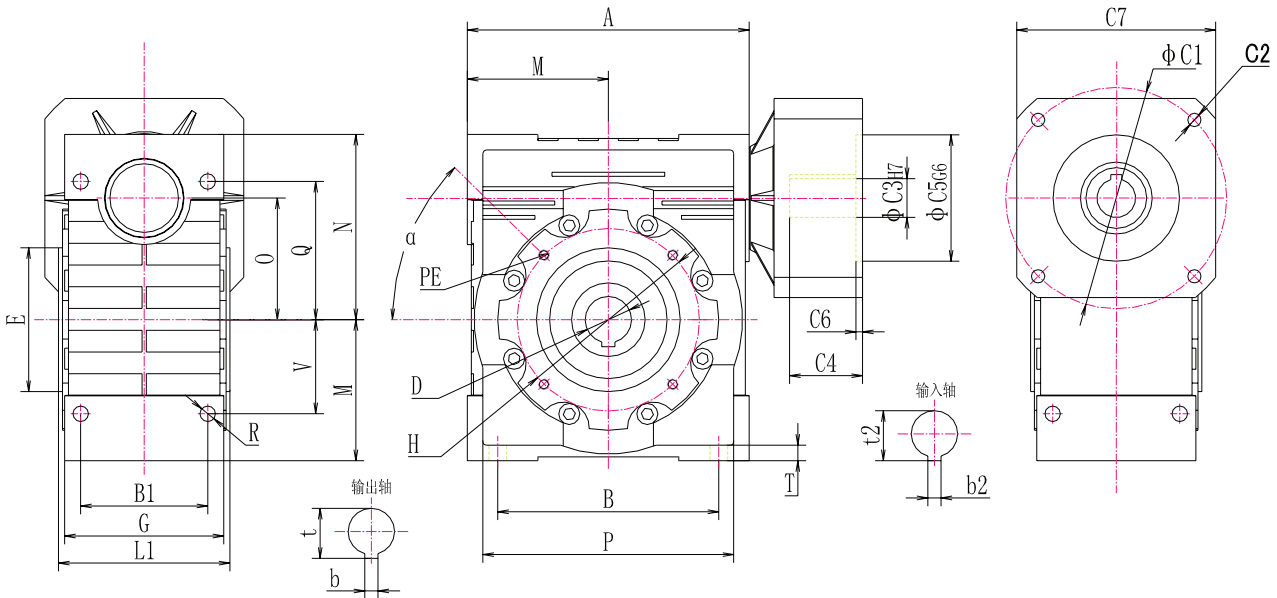
规格	单位	速比	HK50	HK63	HK75	HK90	HK110	HK130	HK150
额定输出扭矩 T_{2N}	Nm	5	65						
		7.5	65	135	310	480	610	950	1660
		10	65	135	310	480	610	950	1660
		15	65	135	310	480	610	950	1660
		20	65	135	310	480	610	950	1660
		25	65	135	310	480	610	950	1660
		30	65	135	310	480	610	950	1660
		40	50	115	280	450	550	880	1420
		50	50	115	280	450	550	880	1420
		60	50	100	260	420	530	840	1360
		80	40	85	220	410	480	750	1250
		100	35	65	170	320	410	650	1100
最大输出扭矩 T_{2B}	Nm	5-100	2倍额定输出扭矩						
额定输出转数 n_{1N}	rpm	5-100	3000	3000	2500	2500	2000	2000	2000
最大输出转数 n_{1B}	rpm	5-100	5000	5000	4000	4000	3000	3000	3000
回程背隙	arcmin	5	≤8	≤8	≤8	≤8	≤8	≤8	≤8
		7.5	≤8	≤8	≤8	≤8	≤8	≤8	≤8
		10	≤8	≤8	≤8	≤8	≤8	≤8	≤8
		15	≤8	≤8	≤8	≤8	≤8	≤8	≤8
		20	≤8	≤8	≤8	≤8	≤8	≤8	≤8
		25	≤10	≤10	≤10	≤10	≤10	≤10	≤10
		30	≤10	≤10	≤10	≤10	≤10	≤10	≤10
		40	≤10	≤10	≤10	≤10	≤10	≤10	≤10
		50	≤12	≤12	≤12	≤12	≤12	≤12	≤12
		60	≤12	≤12	≤12	≤12	≤12	≤12	≤12
		80	≤15	≤15	≤15	≤15	≤15	≤15	≤15
		100	≤15	≤15	≤15	≤15	≤15	≤15	≤15
容许径向力 F_1	N	3-1000	1850	2800	3200	3800	4500	7200	9500
使用寿命	h	3-1000	10000						
动态效率 η_d	%	5	88%						
		7.5	86%	88%	90%	90%	90%	91%	91%
		10	85%	87%	89%	89%	89%	89%	90%
		15	80%	83%	87%	87%	86%	87%	88%
		20	80%	82%	85%	85%	84%	86%	85%
		25	76%	78%	84%	82%	85%	84%	85%
		30	71%	74%	81%	80%	79%	80%	83%
		40	69%	71%	77%	76%	77%	77%	77%
		50	64%	66%	76%	72%	76%	76%	77%
		60	53%	57%	69%	69%	72%	74%	73%
		80	53%	56%	63%	63%	69%	67%	70%
		100	48%	48%	61%	57%	62%	65%	63%
重量	kg	5-100	4.5	7.2	9.8	14.0	44.0	62.0	95
噪音	dB	5-100	≤58	≤58	≤60	≤62	≤65	≤65	≤68
使用温度	℃	5-100	+10℃~+60℃						
润滑油量(WA320)	L	5-100	0.153	0.3	0.58	1.05	2.85	4.55	6.85

功率配置

HK(n1=1500r/min)

HK		5	7.5	10	15	20	25	30	40	50	60	80	100
050	100W	●	●	●	●	●	●	●	○	○	○	○	○
	200W	●	●	●	●	●	●	●	○	○	○	○	○
	400W	○	○	○	○	○	○	○	○	○			
	500W	○	○	○	○	○	○	○	○				
	750W	○	○	○	○	○	○	○					
063	200W	×	●	●	●	●	●	●	●	●	●	○	○
	400W	×	●	●	●	●	●	●	○	○	○	○	○
	500W	×	●	●	○	○	○	○	○	○	○		
	750W	×	○	○	○	○	○	○	○				
	1000W	×	○	○	○	○	○	○					
075	500W	×	●	●	●	●	●	●	○	○	○	○	○
	750W	×	●	●	●	●	●	○	○	○	○		
	1000W	×	○	○	○	○	○	○	○				
	1500W	×	○	○	○	○	○	○					
	2000W	×	○	○	○	○							
	3000W	×	○	○	○								
090	4000W	×	○										
	750W	×	●	●	●	●	●	●	●	○	○	○	○
	1000W	×	●	●	●	●	●	●	○	○	○		
	1500W	×	●	●	●	●	○	○	○	○	○		
	2000W	×	○	○	○	○	○	○					
110	3000W	×	○	○	○	○	○	○					
	4000W	×	○	○	○	○	○	○					
	5000W	×	○	○	○	○	○						
	7500W	×	○	○									
	1000W	×	●	●	●	●	●	●	●	●	○	○	○
	1500W	×	●	●	●	●	●	●	●	○	○	○	
130	2000W	×	○	○	○	○	○	○	○	○	○		
	3000W	×	○	○	○	○	○	○	○	○			
	4000W	×	○	○	○	○	○	○	○	○			
	5000W	×	○	○	○	○	○	○	○				
	7500W	×	○	○	○	○	○						
	1500W	×	●	●	●	●	●	●	●	●	●	○	○
150	2000W	×	●	●	●	●	●	●	●	○	○	○	○
	3000W	×	●	●	●	●	●	●	○	○	○	○	○
	4000W	×	●	●	●	●	○	○	○	○	○		
	5000W	×	●	●	●	○	○	○	○	○			
	7500W	×	●	●	●	○	○	○	○				
	11000W	×	○	○	○	○	○						
	15000W	×	○	○	○	○							

注：● 表示允许但不推荐的配置，空格部分为不允许的配置，× 表示无此速比规格，○ 表示可选择的配置



型号	A	B	E	O	Q	N	M	R	V	G	B1	L1	α	PE
HK50	120	80	70	50	64	84	60	8.5	40	85	70	92	45°	M8×10 (n=4)
HK63	144	100	80	63	80	102	70	8.5	50	103	85	112	45°	M8×14 (n=8)
HK75	172	120	95	75	93	119	86	11	60	112	90	120	45°	M8×14 (n=8)
HK90	206	140	110	90	102	135	103	13	70	130	100	140	45°	M10×18 (n=8)
HK110	255	170	130	110	125	167.5	127.5	14	85	144	115	155	45°	M10×18 (n=8)
HK130	293	200	180	130	140	187.5	146.5	16	100	155	120	170	45°	M12×21 (n=8)
HK150	340	240	180	150	180	230	170	18	120	185	145	200	45°	M12×21 (n=8)

型号	D	H	P	T	t	b	C7	C2	C6	ϕ C1	b2	t2	ϕ C5G6	ϕ C3H7
HK50	25 (24)	85	100	7	28.3 (27.3)	8	75	M5	5	70	5/5/5	14.3/16.3/18.3	50	12/14/16
HK63	25 (28)	95	110	8	28.3 (31.3)	8	95	M6	8	90	5/5/6	16.3/18.3/21.8	70	14/16/19
HK75	28 (35)	115	140	10	31.3 (38.3)	8	115	M8	10	115	6/8/8	21.8/25.3/27.3	95	19/22/24
HK90	35 (38)	130	160	11	38.3 (41.3)	10	130	M8	10	145	8/8/8	25.3/27.3/31.3	110	22/24/28
HK110	42	165	200	14	45.3	12	180	M12	10	200	8/8/10	27.3/31.3/38.3	114.3	24/28/35
HK130	45	215	250	15	48.8	14	190	M12	10	215	8/10/10	31.3/38.3/41.3	180	28/35/38
HK150	50	215	250	18	53.8	14	240	M12	10	215	10/10/12	38.3/41.3/45.3	180	35/38/42