

50x50x15mm (1.97"x1.97"x0.59")



General Specification:

- Frame:Plastic 94V-0
- Impeller:Plastic 94V-0
- Lead wire:UL Type
(+):Red (-):Black
- Operation Temperature:-10°C~70°C

Motor Protection:

- Impedance Protected
- Reverse Polarity Protected

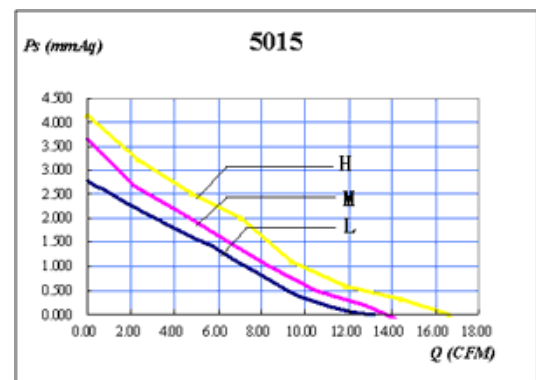
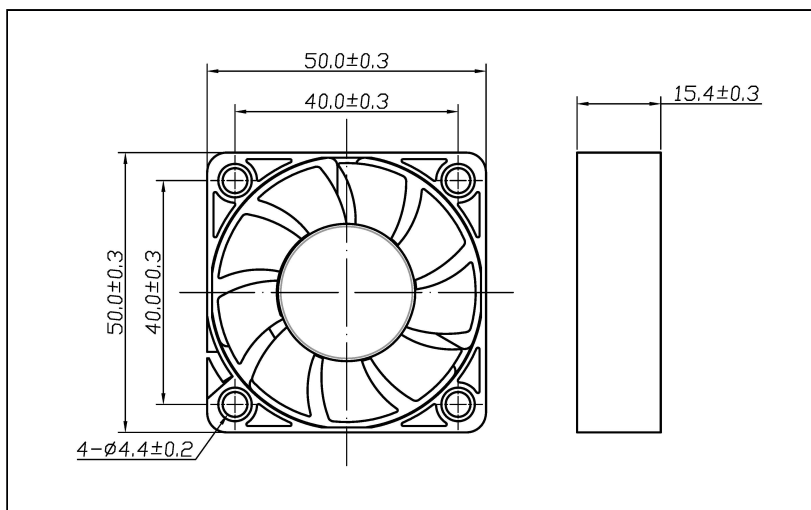
Specifications(Normal)

S=Sleeve bearing

B=One ball bearing

D=Two ball bearing

Model No.	Bearing System	Rated Voltage (VDC)	Speed Type	Rated Current (A)	Rated Speed (RPM)	Air Flow (CFM)	Air Pressure (mmAg)	Noise Level (dBA)	Weight (g)
HT□D05015	S/D	5	H	0.29	6000	16.61	4.15	35.0	25
			M	0.18	5000	14.21	3.66	31.0	
			L	0.11	4200	13.20	2.78	27.0	
		12	H	0.15	6000	16.61	4.15	35.0	
			M	0.10	5000	14.21	3.66	31.0	
			L	0.07	4200	13.20	2.78	27.0	
		24	H	0.06	6000	16.61	4.15	35.0	
			M	0.07	5000	14.21	3.66	31.0	
			L	0.04	4200	13.20	2.78	27.0	



All reading are typical values at rated voltage.
Specifications are subjected to change without prior notice.