

Series Select Multi-Vane Air Motors



SPECIFICATIONS

| Series | Max Power | | Speed at Max Power | Free Speed | Starting Torque | | Stall Torque | | Air Consumption at Max. Power | | Weight | |
|------------|-----------|------|--------------------|------------|-----------------|------|--------------|------|-------------------------------|-------------------|--------|------|
| | hp | kw | rpm | rpm | lb.-ft. | Nm | lb.-ft. | Nm | scfm | m ³ /m | lb. | kg |
| reversible | | | | | | | | | | | | |
| SM1AMA | 0.33 | 0.25 | 7600 | 15,200 | 0.29 | 0.39 | 0.38 | 0.52 | 17 | 0.5 | 1.5 | 0.7 |
| SM1AMAL | 0.33 | 0.25 | 7600 | 15,200 | 0.29 | 0.39 | 0.38 | 0.52 | 17 | 0.5 | 1.5 | 0.7 |
| SM1UPC | 0.60 | 0.37 | 6000 | 12,500 | 0.45 | 0.6 | 0.6 | 0.81 | 42 | 1.2 | 1.75 | 0.8 |
| SM1UPCL | 0.60 | 0.37 | 6000 | 12,500 | 0.45 | 0.6 | 0.6 | 0.81 | 42 | 1.2 | 1.75 | 0.8 |
| SM1UPCR | 0.60 | 0.37 | 6000 | 12,500 | 0.45 | 0.6 | 0.6 | 0.81 | 42 | 1.2 | 1.75 | 0.8 |
| SM2AMAN | 0.88 | 0.66 | 3000 | 8,070 | 1.7 | 2.3 | 2.3 | 3.1 | 48 | 1.4 | 7.5 | 3.4 |
| SM2AMC | 0.88 | 0.66 | 3000 | 8,070 | 1.7 | 2.3 | 2.3 | 3.1 | 48 | 1.4 | 7.5 | 3.4 |
| SM4AMAN | 1.5 | 1.1 | 3000 | 7900 | 2.6 | 3.5 | 4.1 | 5.6 | 67 | 1.9 | 8.25 | 3.7 |
| SM4AMB | 1.5 | 1.1 | 3000 | 7900 | 2.6 | 3.5 | 4.1 | 5.6 | 67 | 1.9 | 8.25 | 3.7 |
| SM6AMA | 3.6 | 2.7 | 3000 | 7900 | 5.3 | 7.2 | 8.7 | 11.8 | 120 | 3.4 | 16.25 | 7.4 |
| SM6AMAN | 3.6 | 2.7 | 3000 | 7900 | 5.3 | 7.2 | 8.7 | 11.8 | 120 | 3.4 | 16.25 | 7.4 |
| SM8AMA | 4.8 | 3.6 | 2500 | 7000 | 10 | 13.6 | 14 | 19 | 152 | 4.3 | 22.5 | 10.2 |
| SM8AMAN | 4.8 | 3.6 | 2500 | 7000 | 10 | 13.6 | 14 | 19 | 152 | 4.3 | 22.5 | 10.2 |

MODEL DESIGNATION BREAKOUT

SM

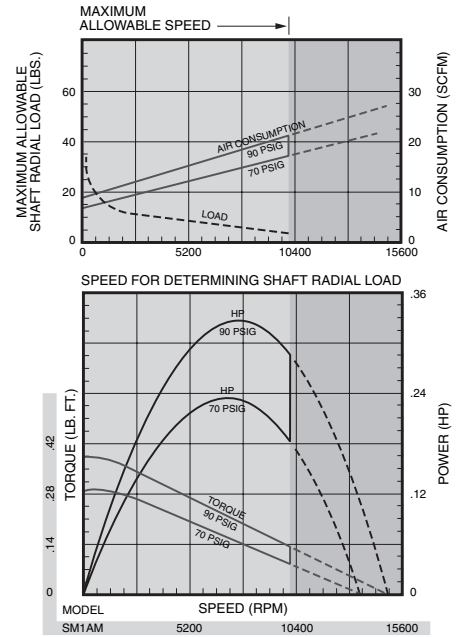
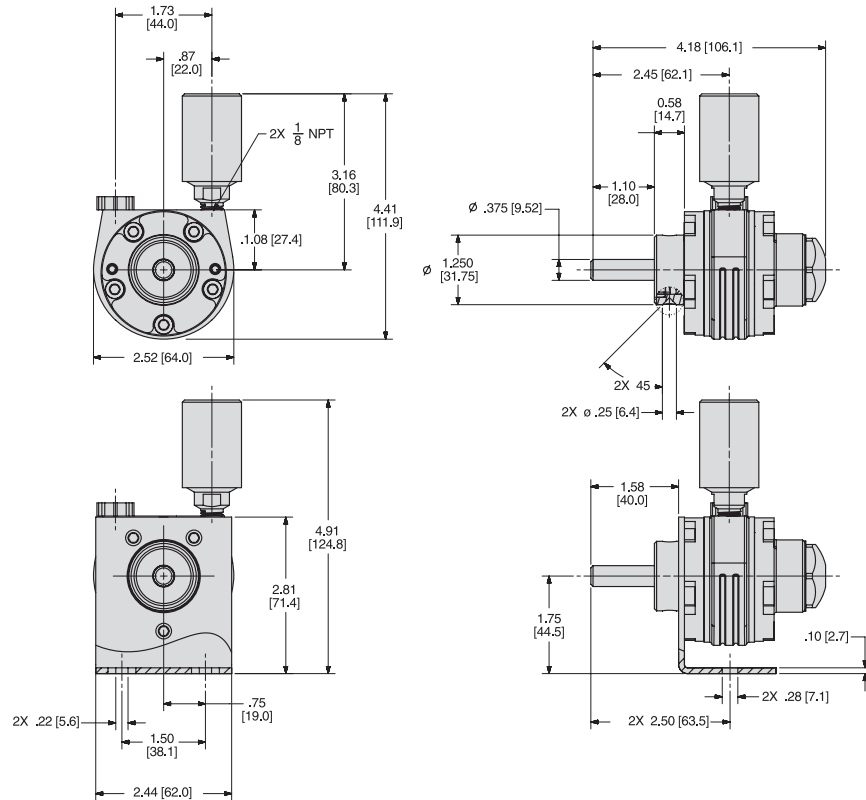
| Select Series Air Motor | Power Series | Shaft/Interface | Rotation | Mounting |
|-------------------------|--|--|---|---|
| | 1AM 1UP 2AM 4AM 6AM 8AM | A = Round shaft w/ square key (Round shaft on SM1AM series) B = Round shaft with Woodruff Key (#3) C = Round shaft with flat on the shaft | L=Left Hand Bias (CCW) R=Right Hand Bias (CW) None=Reversible | N=NEMA mount None= Face or Footmount (Footmount is an optional accessory) |

EQUIPMENT OPTIONS

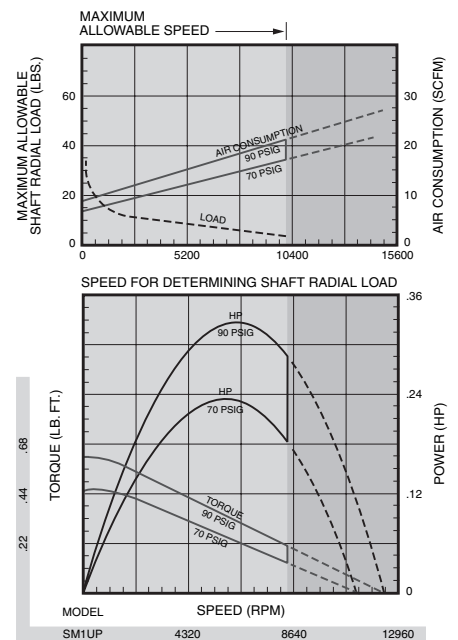
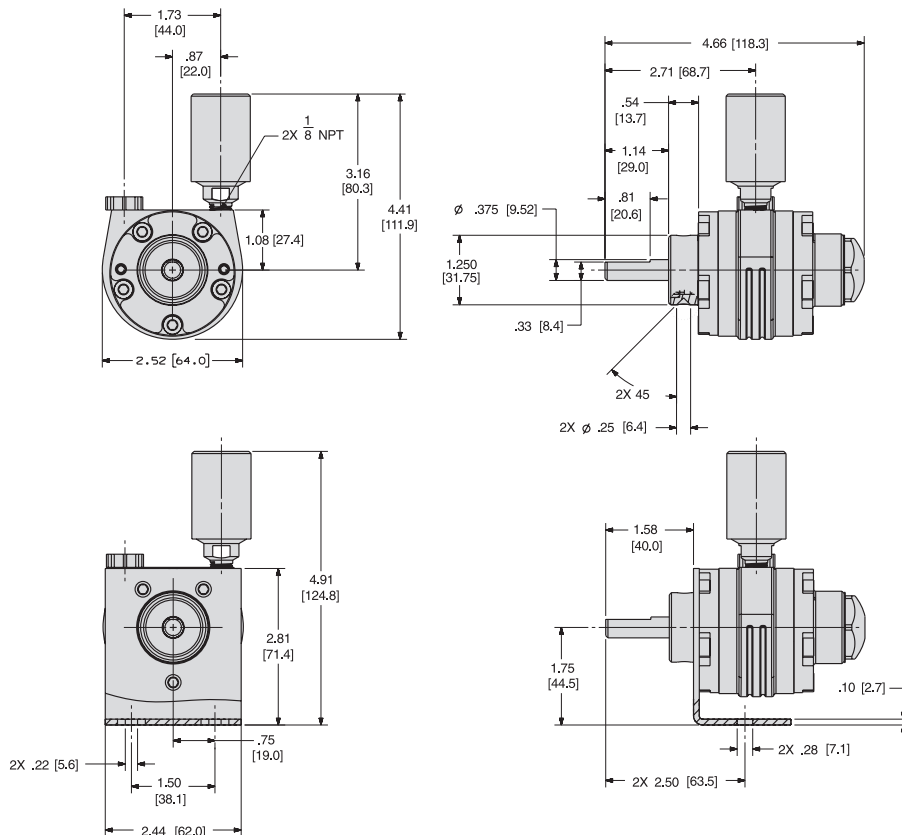
| Series | Furnished with Cataloged Models | Optional Accessories |
|--------|--|-----------------------|
| SM1AM | 3 Hole Face Mounting Muffler | SM1AM-AG587 Footmount |
| SM1UP | 3 Hole Face Mounting Muffler | SM1AM-AG587 Footmount |
| SM2AM | 3 Hole Face Mounting Muffler NEMA 56C Flange with Model SM2AMAN | SM2AM-AH636 Footmount |
| SM4AM | 3 Hole Face Mounting Muffler NEMA 56C Flange with Model SM4AMAN | SM4AM-AH634 Footmount |
| SM6AM | 3 Hole Face Mounting Muffler NEMA 56C Flange with Model SM6AMAN | SM6AM-AH634 Footmount |
| SM8AM | 3 Hole Face Mounting Muffler NEMA 182C Flange, 184C Flange Mount with Model SM8AMAN | SM8AM-AH640 Footmount |

Series Select Multi-Vane Air Motors

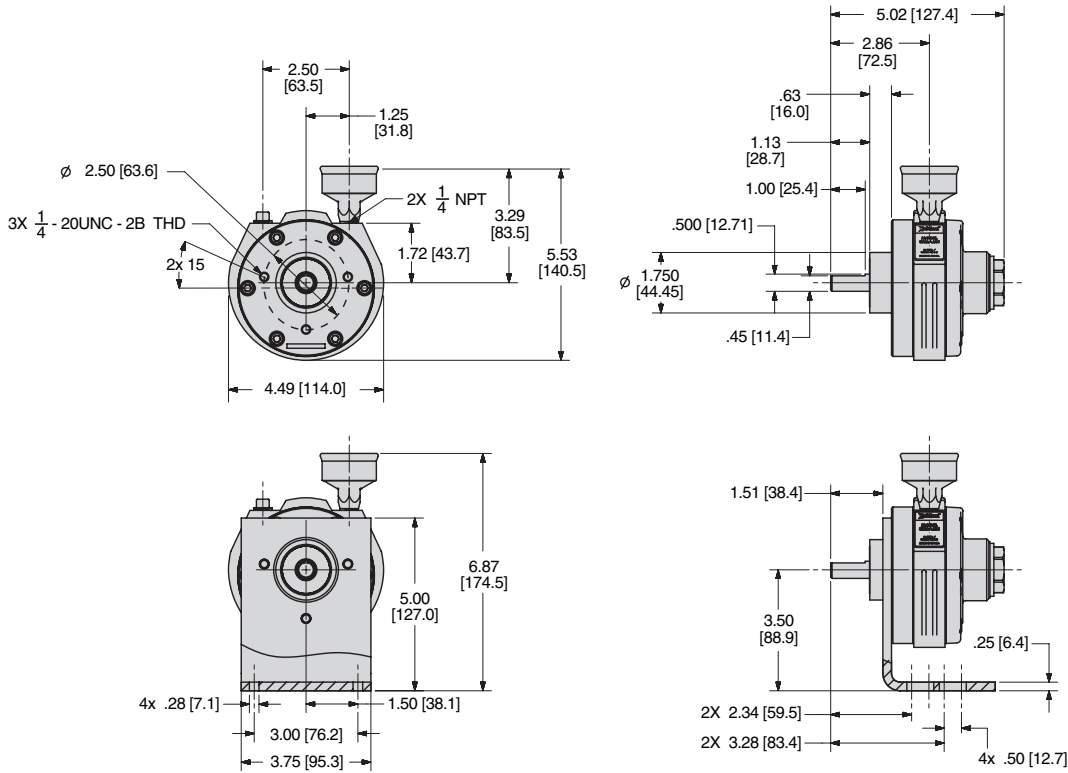
SM1AM and SM1AM-AG587 FOOTMOUNT DIMENSIONS



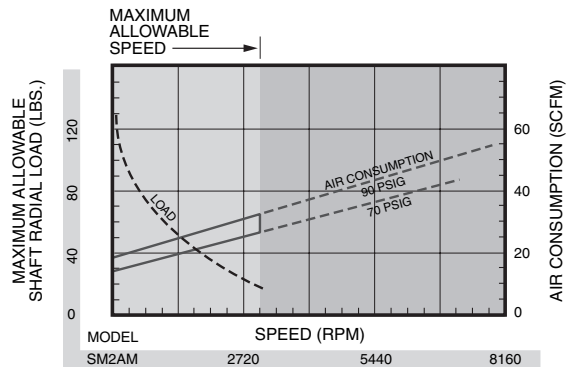
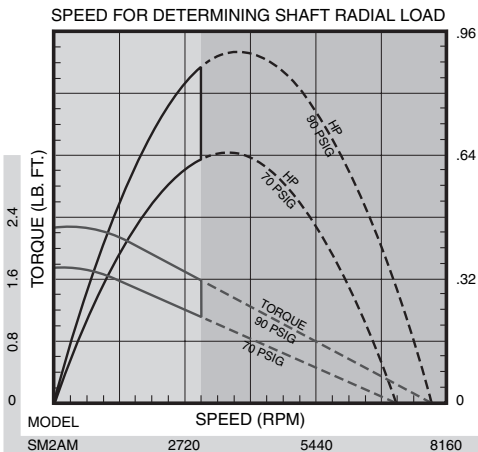
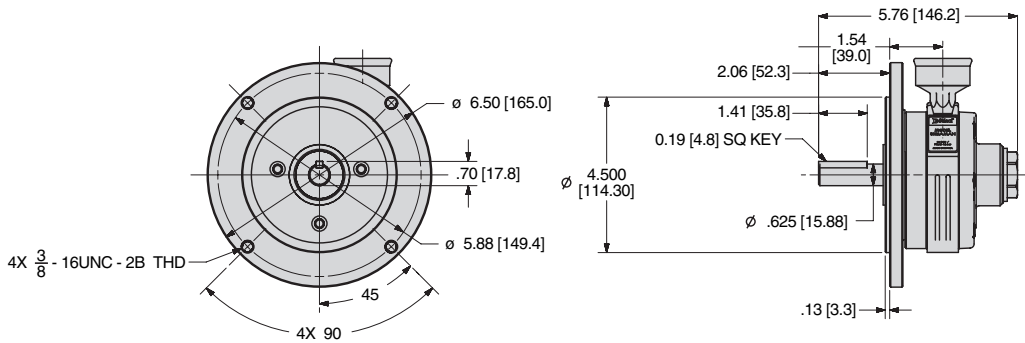
SM1UP and SM1AM-AG587 FOOTMOUNT DIMENSIONS



SM2AMC and SM2AM-AH636 FOOTMOUNT DIMENSIONS

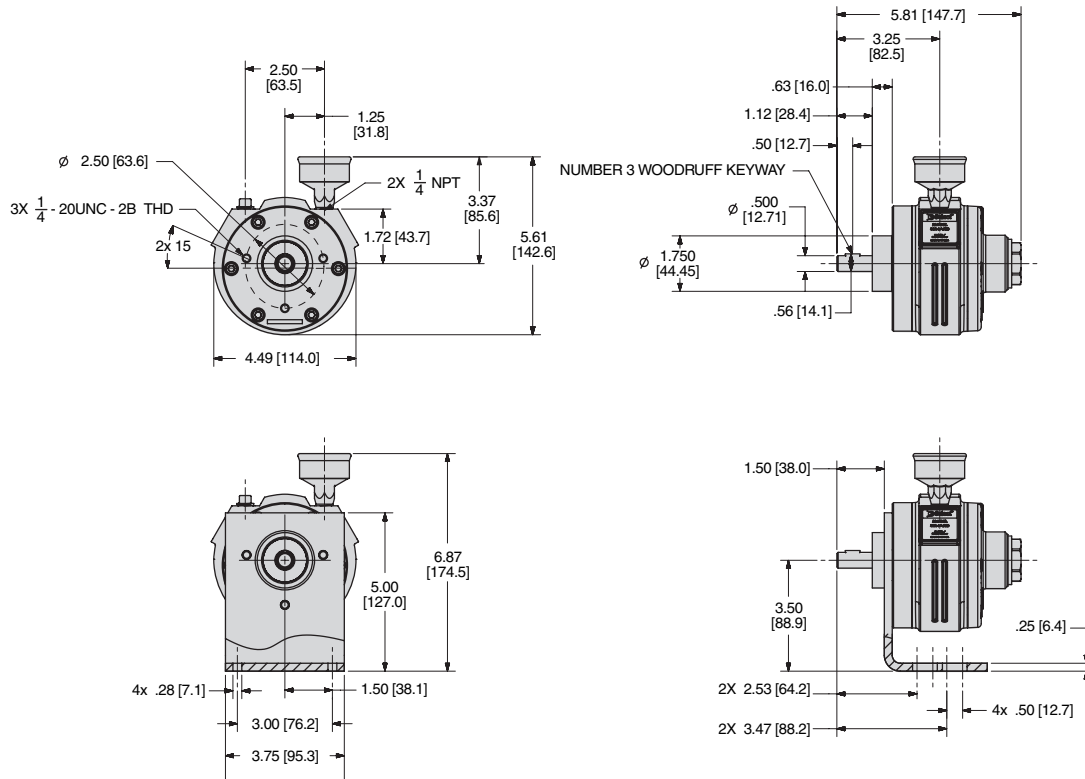


SM2AMAN NEMA MOUNT DIMENSIONS

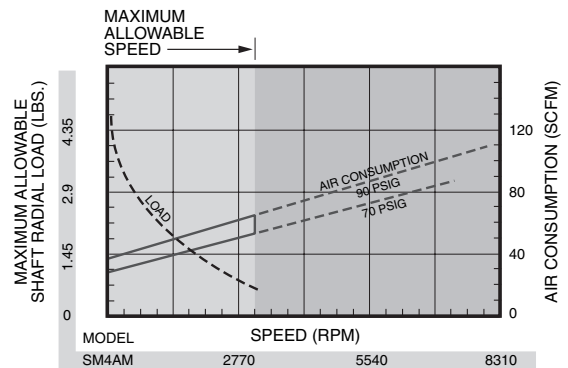
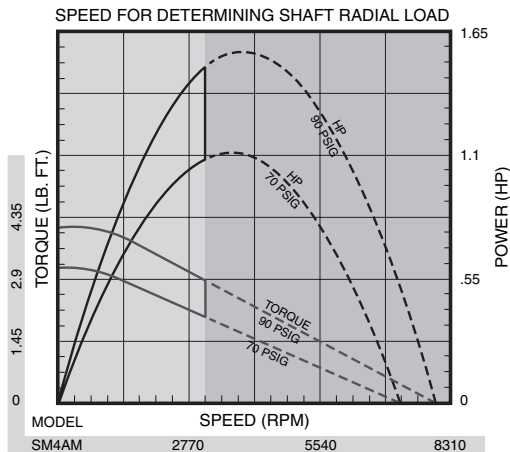
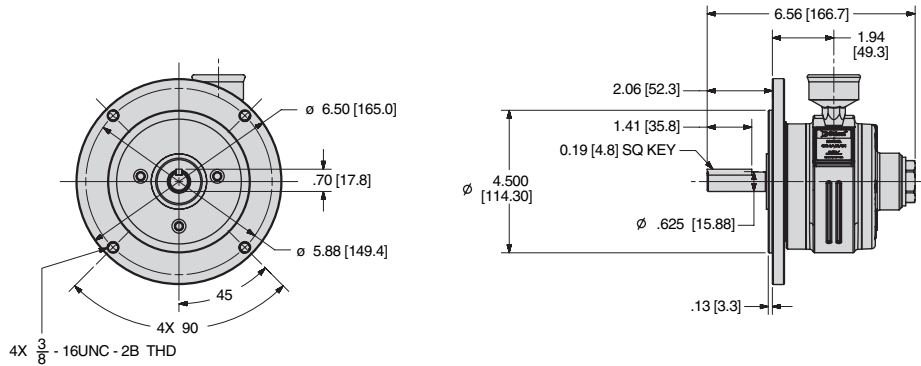


Series Select Multi-Vane Air Motors

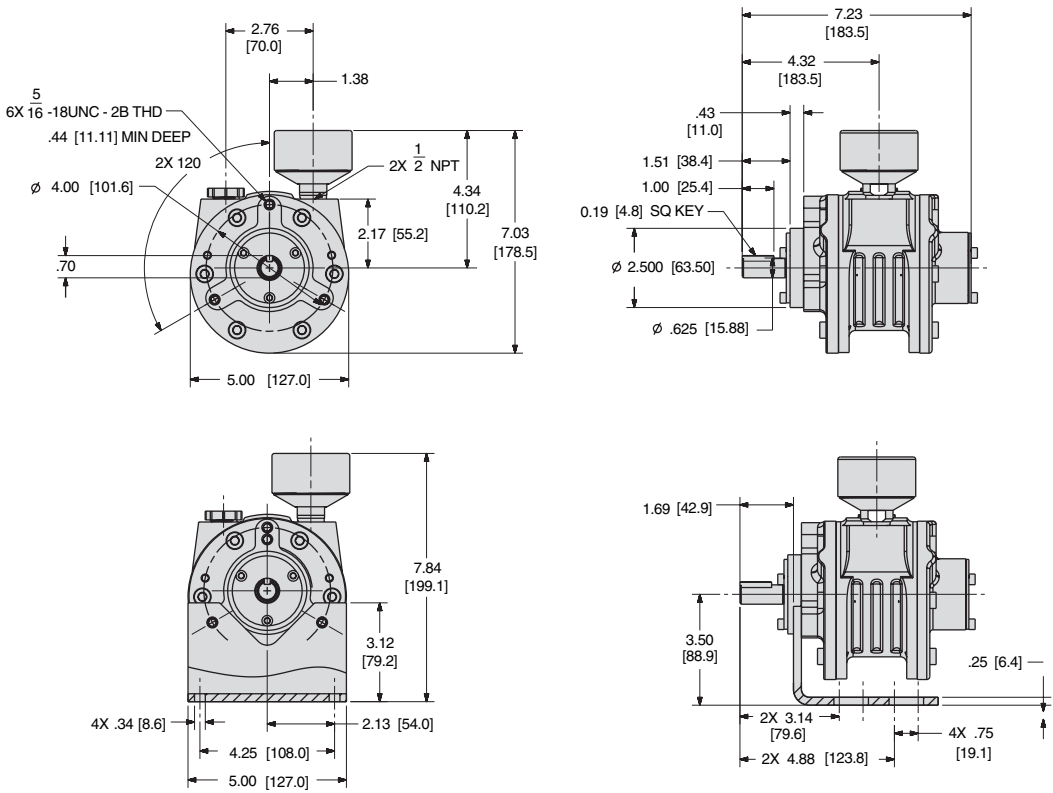
SM4AMB and SM4AM-AH634 FOOTMOUNT DIMENSIONS



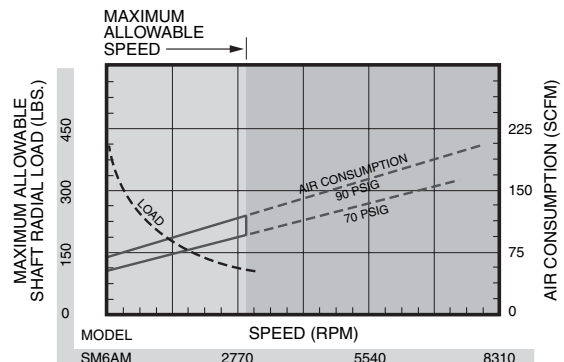
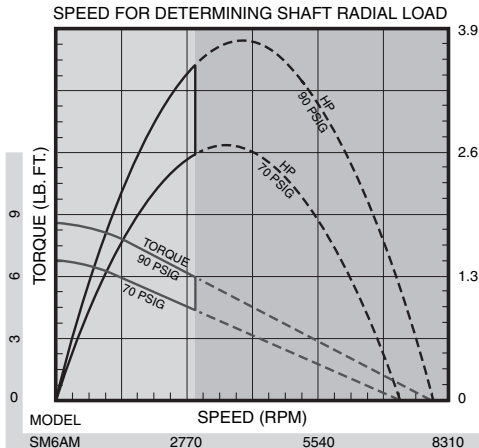
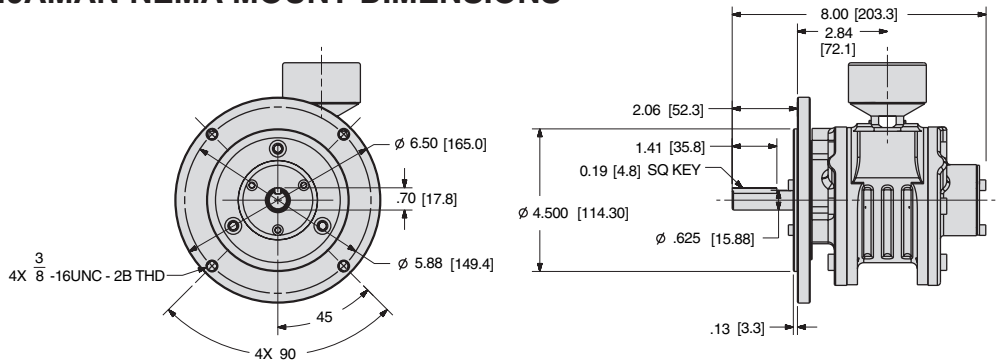
SM4AMAN NEMA MOUNT DIMENSIONS



SM6AMA and SM6AM-AH636 FOOTMOUNT DIMENSIONS

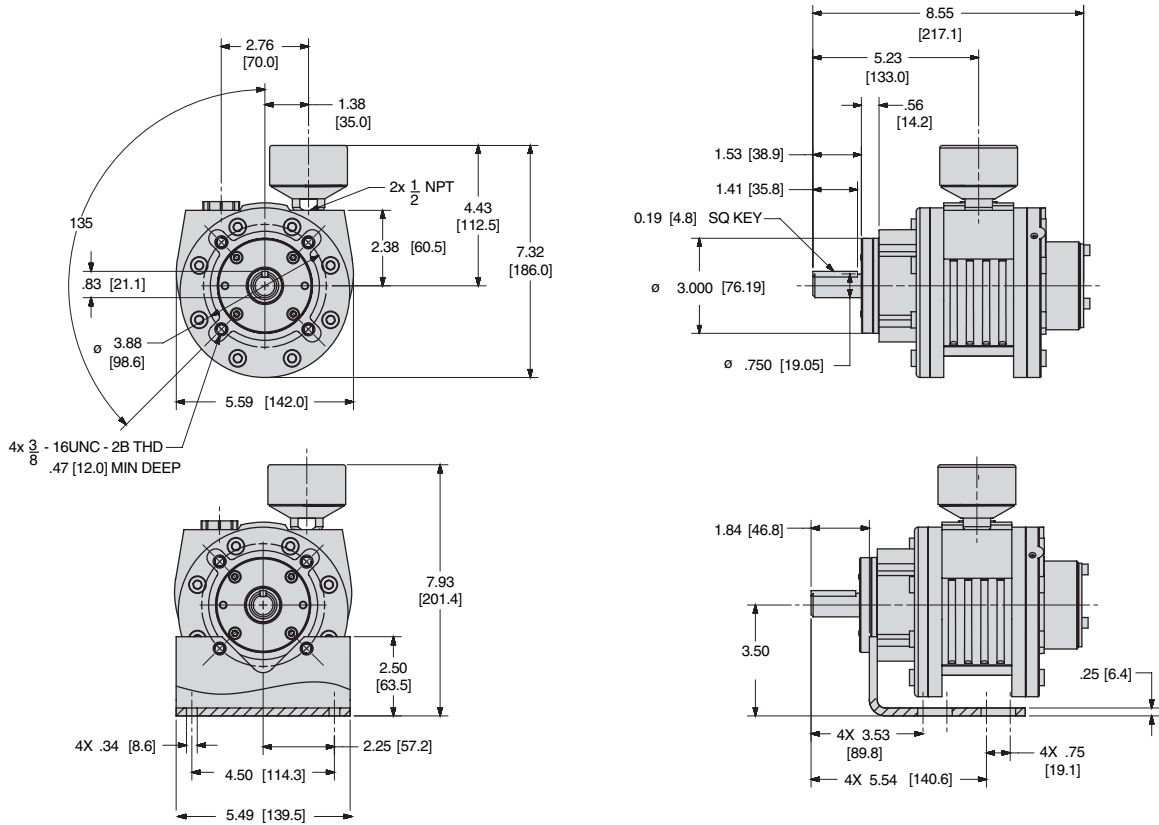


SM6AMAN NEMA MOUNT DIMENSIONS



Series Select Multi-Vane Air Motors

SM8AMA AND SM8AM-AH640 FOOTMOUNT DIMENSIONS



SM8AMAN NEMA MOUNT DIMENSIONS

