



VSR-T

T滑环是标准的过孔式，其轴的中心位置有通孔可通过气压，液压管或驱动轴通过。多触点贵金属纤维刷接触，长寿命设计，精密双滚珠轴承，铝合金外壳，可选的安装法兰。具有工作可靠，驱动扭矩低、电气噪音低、体积小等特点。

T series slip ring is a standard slipring with a through-bore for routing of hydraulic or pneumatic lines or driver shaft, this design features long life, fiber Precious metal brush contact technology for ultimate performance in many challenging applications. With aluminum body, double precision roller bearings provide smoother running, lower torque and lower electrical noise than competitive slip rings.

应用 APPLICATION

- 旋转平台、测试设备、电缆卷筒；
Rotary index tables, test equipment, cable reels.
- 机器人和旋转传感器
Robotics, process equipment and rotary sensors.
- 展台设备；
Exhibit / display equipment
- 医疗设备
Medical equipment;

特点 FEATURE

- 中心有通孔
through-bore in center
- 模块化设计
Flexibility Module design.
- 信号电流可在同一个滑环内通过
Multiple circuit configurations for power & data signals.
- 最高可达2500 转(可选项)
Speeds up to 2500 rpm max. (Option)
- 无需维护
Without any maintain.

可选项 OPTION

- 更高的电压，电流可选
Higher voltage and current
- 更高转速
Higher speed
- 更宽的温度范围
Wider range of temperature
- 更高的防护级别
Higher protection class
- 出线方向可选择
Style of lead exits
- 安装法兰
Flange for install

性能规格 SPECIFICATION

工作电压 (Voltage)	600V AC/DC
电流 (Current Rating)	5、10A/ 路 (5,10A/Ring)
转速 (Speed)	250 转/ 分 (250PRM)
绝缘电阻 (Insulation Resistance)	1000MΩ @500VDC
耐压 (Dielectric Strength)	AC 600V@60Hz, 60S
电气噪音 (Electrical Noise)	70 milliohms MAX @5rpm, 50milliamps, 6V DC
接触材料 (Contact Material)	贵金属 (Precious metal)
导线规格 (Lead Size/Type)	Teflon wire
工作温度 (Operate Temp)	-30℃ ~ +80℃
防护级别 (Protection Class)	IP50

编码规则 ENCODE RULES

VSR - T 50 - 5P6S - X



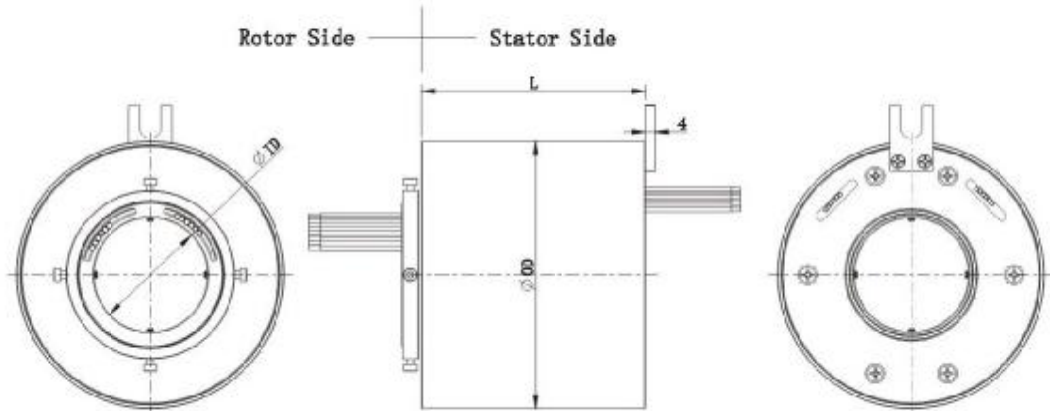
通孔型滑环 (SLIP RING WITH THROUGH-BORES)

型号 Model	内径ID (mm)	外径OD (mm)	通路数 Channels	工作电压 Voltage(V)	工作电流 Current(A)	转速 Speed (RPM)	产品图 Picture
VSR-T12	12.7	55	1-24	380V	2-30A	500	
VSR-T25	25.4	78	1-36	380V	2-30A	500	
VSR-T38	38.1	99	1-36	380V	2-30A	500	
VSR-T50	50.8	119	1-36	380V	2-30A	500	
VSR-T60	60	138	1-36	380V	2-30A	500	
VSR-T70	70	138	1-36	380V	2-30A	500	
VSR-T85	85	186	1-36	380V	2-30A	500	
VSR-T100	100	186	1-36	380V	2-30A	500	
VSR-T120	120	218	1-36	380V	2-30A	500	
VSR-T140	140	246	1-36	380V	2-30A	500	
VSR-T150	150	260	1-36	380V	2-30A	500	
VSR-T160	160	268	1-36	380V	2-30A	500	
VSR-T180	180	296	1-36	380V	2-30A	500	
VSR-T	0~300		1~200	0~2000	0~500	0~5000	

Length(mm)

型号 Type	电流 Current(A)	通路数 Channels				
		6	12	18	24	36
T12	5	34	46	58	70	94
	10	40	58	76	94	130
	15	43	64	85	106	148
T25	5	42	60	78	96	132
	10	48	72	96	120	168
	15	51	78	105	132	186
T38	5	42	60	78	96	132
	10	48	72	96	120	168
	15	51	78	105	132	186
T50	5	50	68	86	104	140
	10	56	80	104	128	176
	15	59	86	113	140	194
T60	5	55	73	91	109	145
	10	61	85	109	133	181
	15	64	91	118	145	199
T70	5	55	79	100	121	163
	10	61	91	118	145	199
	15	64	97	127	157	217
T85	5	62	83	104	125	167
	10	68	95	122	149	203
	15	71	101	131	161	221
T100	5	68	89	110	131	173
	10	74	101	128	155	209
	15	77	107	137	167	227
T120	5	72	93	114	135	177
	10	78	105	132	159	213
	15	81	111	141	171	231
T140	5	84	105	126	147	189
	10	90	117	144	171	225
	15	93	123	153	183	243
T150	5	84	105	126	147	189
	10	90	117	144	171	225
	15	93	123	153	183	243
T160	5	84	105	126	147	189
	10	90	117	144	171	225
	15	93	123	153	183	243
T180	5	93	114	135	156	198
	10	99	126	153	180	234
	15	102	132	162	192	252

图纸DRAWING (UNITS:MM)



安装指引INSTALLATION GUIDE

安装:

1. 将滑环安装在需要的位置, 并将转子出线口处的螺丝锁紧在轴上。
2. 滑环转子和定子侧的导线排好, 正确连接, 并做必要的固定, 需要防止导线妨碍滑环的自由转动, 不得挤压导线, 以免导线破皮或断裂导致意外的发生。
3. 用螺丝或其他类似装置固定止转片, 防止滑环定子部分随主轴转动。

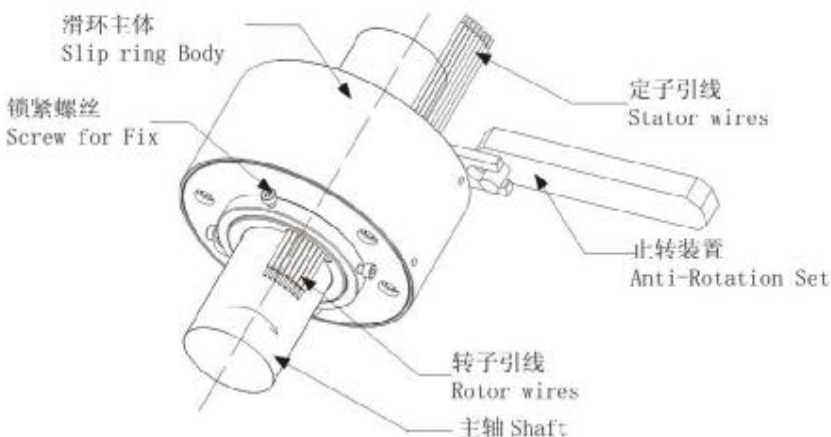
Installation Guide :

1. Shaft part Mounted:

- A. Set the slipring at the right position, tighten the screws to the shaft.
- B. Route the wiring and make the necessary connections. Do not allow the wiring to restrict free rotation of the slip ring. Do not constrain wiring such that wire flexing occurs. Doing so will ultimately cause failure.

2. Stator part Mounted:

- A. Anti-Rotation tap used for connecting the stator of slip ring with the stationary member of equipment
- B. Route the wiring and make the necessary connections. Do not allow the wiring to restrict free rotation of the slip ring



警告

因为导电滑环与客户实际应用之间可能存在机械误差, 故不能同时锁紧定子部分和转子部分, 否则可能导致滑环过早损坏。

WARNING

slip ring must be mounted with a flexible coupling on one side of the unit. Hardmounting on both the rotor and stator will cause the slip ring to fail prematurely by translating system load into the slip ring bearing structure.



VSR-P

在高度受限制的场所，我们的盘式滑环是最佳的解决方案。盘式滑环的转子部分用一圈圈的同心圆环来承载电流和信号，刷子分布在同心圆环的顶部作为定子。我们可以定制4到50通路，任意孔径的此类滑环。接触面使用金或银，运转速度取决于通道数和部品总体尺寸。

When you have a height restriction, a "pancake" ring - also called a "flat" or "platter" ring - could be the best solution. These slip ring units are based on a disc shaped rotor embedded with concentric grooves carrying the signal and power channels with a brush block assembly mounted over the top to act as the stator. We can build custom versions of this type of ring with anywhere from 4 to 50 channels to include the required center bore size. Contacts are available in precious metal, operating speed has a large bearing on the number of channels and overall.

应用 APPLICATION

- 旋转平台、测试设备;
Rotary index tables, test equipment.
- 机器人和旋转传感器
Robotics, process equipment and rotary sensors.
- 医疗设备
Medical equipment;
- 雷达系统
Radar System.

特点 FEATURE

- 厚度小，最小可达15mm。
Ultra-thin design, the thickness reached 15 mm min
- 孔径可任意定制。
Center bore size can be option
- 信号电流可在同一个滑环内通过
Multiple circuit configurations for power & data signals.
- 无需维护
Without any maintain.

可选项 OPTION

- 更高的电压，电流可选
Higher voltage and current
- 更宽的温度范围
Wider range of temperature
- 更高的防护级别
Higher protection class
- 出线方向可选择
Style of lead exits
- 安装法兰
Flange for install

性能规格 SPECIFICATION

工作电压 (Voltage)	240V AC/DC
电流 (Current Rating)	10A/路 (10A/Ring)
绝缘电阻 (Insulation Resistance)	1000MΩ @ 500VDC
耐压 (Dielectric Strength)	AC 600V@60Hz, 60S
电气噪音 (Electrical Noise)	70 milliohms MAX @ 5rpm, 50milliamps, 6V DC
接触材料 (Contact Material)	贵金属 (Precious metal)
导线规格 (Lead Size/Type)	1.0mm ² Teflon wire
工作温度 (Operate Temp)	-30℃ ~ +80℃

