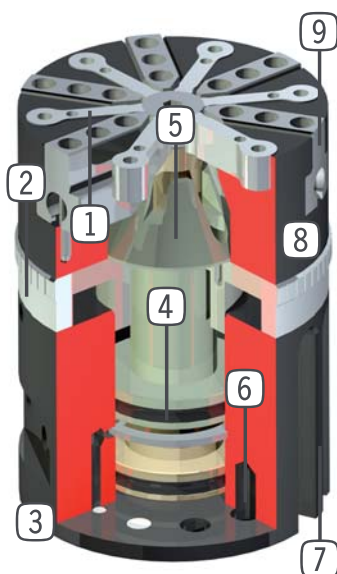


**Product information:**

- ▶ T-Slot guide for high forces and moments capacity
- ▶ Gripper jaws made of ground surfaced and hardened steel ensuring long lasting precision and a long lifetime
- ▶ Expanding stroke adjustable from outside via adjusting ring
- ▶ Maintenance free to 5 million cycles
- ▶ High temperature resistant version (up to 150°C) available upon request

**Design:**

- ① **Ejector jaw**
- to shift off the O-ring
- ② **Stroke adjustment**
- for adjustment of the spread stroke
- ③ **Energy feed**
- possible from several sides
- ④ **Drive**
- two single-acting pneumatic cylinders
- ⑤ **Force transfer**
- direct via taper
- ⑥ **Fixing and positioning**
- axial, on the gripper bottom
- ⑦ **Sensing**
- groove for the magnetic field sensors
- ⑧ **Robust, lightweight housing**
- hard coated aluminium alloy
- ⑨ **Gripper jaw**
- individual gripper finger mounting

▶ Installation size: **GS65**

Dimension	
Ø [mm]	H [mm]
50	70.6

Technical Data*								
Order no.	Opening stroke per jaw [mm]		Ejecting stroke [mm]	Opening force [N]	Recommended O-ring Ø [mm]		Number of gripping jaws [pcs]	Weight [kg]
	adjustable min.	adjustable max.			min.	max.		
GS65-B	3	6	5	300	4	60	6	0.5

▶ Installation size: **GS810**

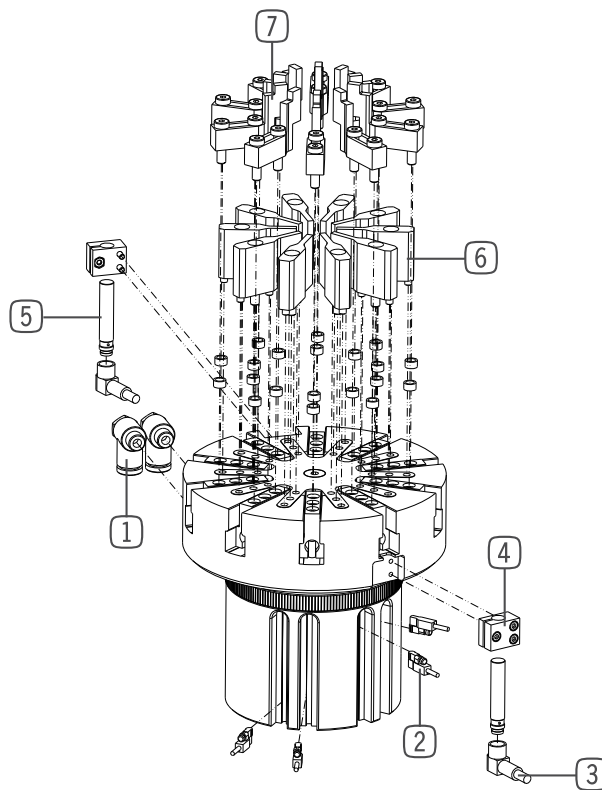
Dimension	
Ø [mm]	H [mm]
85	112.5

Technical Data*								
Order no.	Opening stroke per jaw [mm]		Ejecting stroke [mm]	Opening force [N]	Recommended O-ring Ø [mm]		Number of gripping jaws [pcs]	Weight [kg]
	adjustable min.	adjustable max.			min.	max.		
GS810-B	4	8	10	1200	30	120	8	2.5

▶ Installation size: **GS1015**

Dimension	
Ø [mm]	H [mm]
100	138.5

Technical Data*								
Order no.	Opening stroke per jaw [mm]		Ejecting stroke [mm]	Opening force [N]	Recommended O-ring Ø [mm]		Number of gripping jaws [pcs]	Weight [kg]
	adjustable min.	adjustable max.			min.	max.		
GS1015-B	1.6	10	15	1450	40	150	10	5.4



Recommended accessories:

1 Pneumatic fittings

Version: Angled	
To match	Order no.:
GS65	WVM5
GS810	WV1/8X6
GS1015	WV1/4X8
Version: Straight	
To match	Order no.:
GS65	GVM5
GS810	GV1/8X6
GS1015	GV1/4X8

2 Magnetic field sensor

Version: Angled / Cable 5 m	
To match	Order no.:
for all	MFS103KHC
Version: Angled / Cable 0.3 m / Connector M8	
To match	Order no.:
for all	MFS103SKHC

3 Plug-in connector

Version: Angled / Cable 5 m / Socket M8 (female)	
To match	Order no.:
for all	KAW500
Version: Straight / Cable 5 m / Socket M8 (female)	
To match	Order no.:
for all	KAG500

4 Mounting block

To match	Order no.:
GS65	KB6.5-02
GS810	KB6.5-02

5 Inductive proximity switch

Version: Cable 5 m	
To match	Order no.:
GS65	NJ6.5-E2-01
GS810	NJ8-E2
GS1015	NJ8-E2
Version: Connector M8	
To match	Order no.:
GS65	NJ6.5-E2S
GS810	NJ8-E2S
GS1015	NJ8-E2S

6 Set of ejecting jaws

To match	Order no.:
GS65	UB65-3
GS810	UB810-3
GS1015	UB1015-3

7 Set of clamping jaws

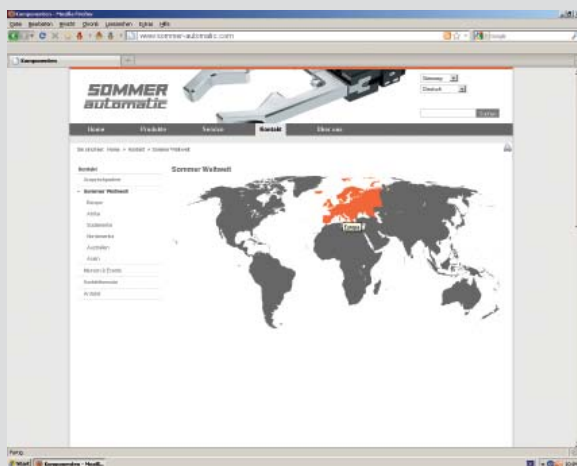
To match	Order no.:
GS65	UB65-4
GS810	UB810-4
GS1015	UB1015-4

Supplementary accessories:

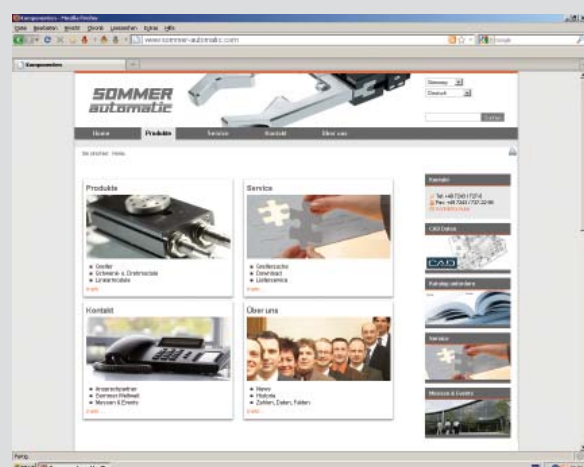
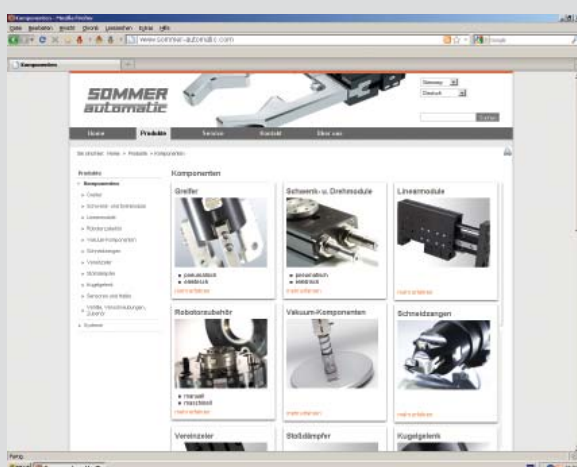
Plug-in conversion connector

Version: Straight / 3-pole / Connector M8	
To match	Order no.:
for all	S8-G-3
Version: Straight / 3-pole / Connector M12	
To match	Order no.:
for all	S12-G-3

Sommer-automatic world-wide!



- All products at one glance
- CAD data free of charge
- Contact person
- Data sheets
- Fairs & events
- ...



 www.sommer-automatic.com