



营 业 部 副 理
田 永 亮

上海銓宏熱能設備工程有限公司 上海銓冠貿易有限公司

Uni-Matic Enterprise Co., Ltd

代理/经销 德国KSB泵、KSB阀门、baelz电/气动控制阀、温控表；BESTA浮球开关、PINTER压差开关、进口阀门定位器、UM膨胀节、止回阀及锅炉配套附件等；
设计制造导热油、热水二次循环系统

地址:上海市嘉定区徐行镇曹新公路599号 PC: 201809

Add: No. 599CaoxinRd, Xuhang, Jiading, Shanghai

电话: 021-59945998-107 传真: 021-59946003

手机: 13621641806

QQ: 452566900

E-mail: yongliangtian@126.com

Web: www.unimatic.com.cn



BESTA

Etanorm

ETN 产品介绍

Standardised water pump to EN 733
and to Directive 2009/125/EC
EN733标准端吸泵Etanorm

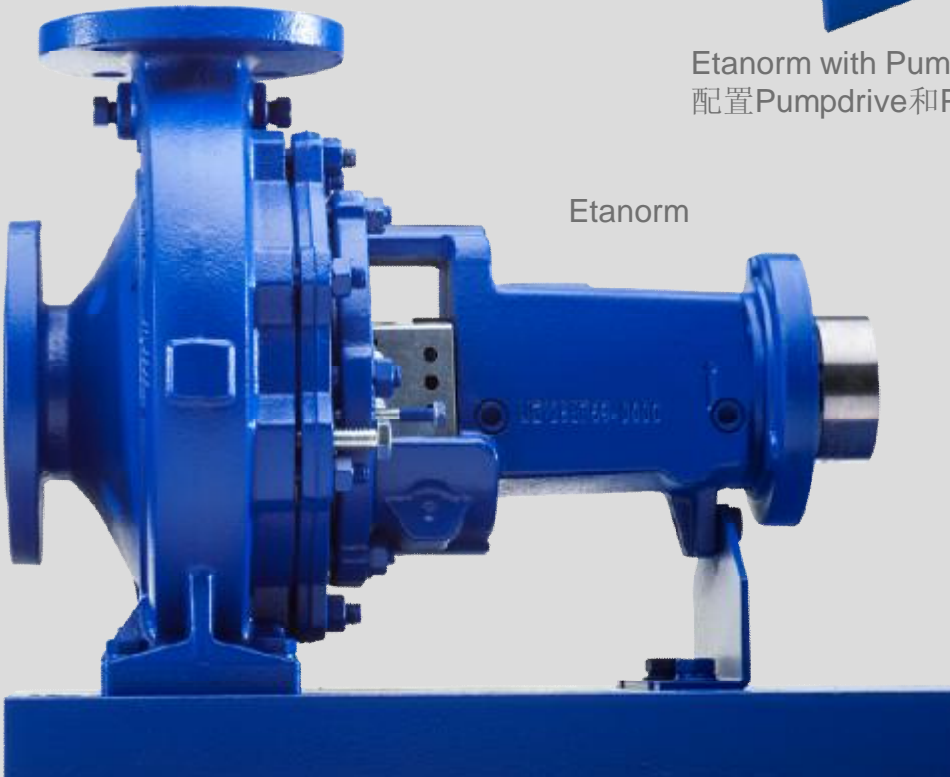




Etanorm with SuPremE motor
配备KSB IE4电机Etanorm



Etanorm with PumpDrive and PumpMeter
配置Pumpdrive和Pumpmeter的Etanorm



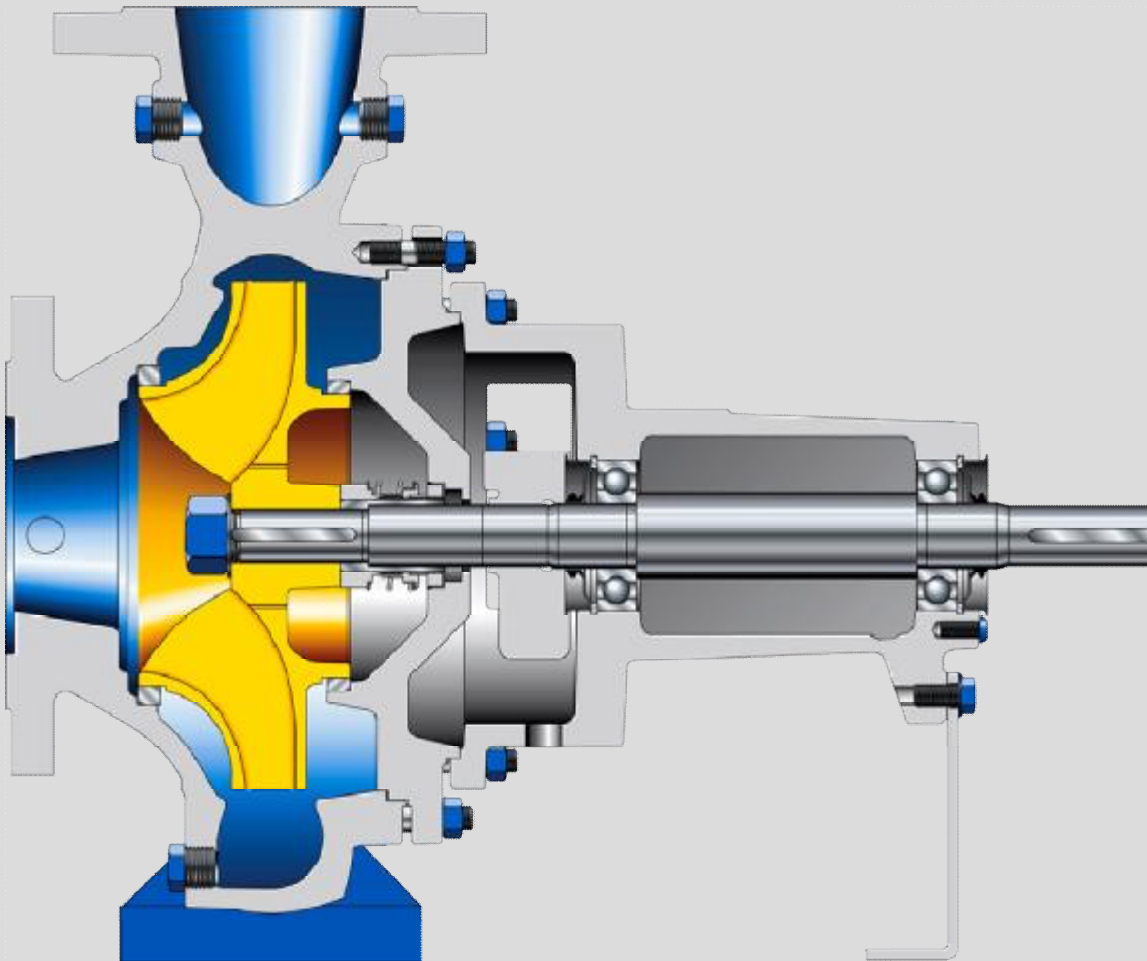
Etanorm



Energy Efficiency by KSB

Standardised water pump
Etanorm
标准端吸泵**Etanorm**
KSB 最新 ETN系列端吸泵



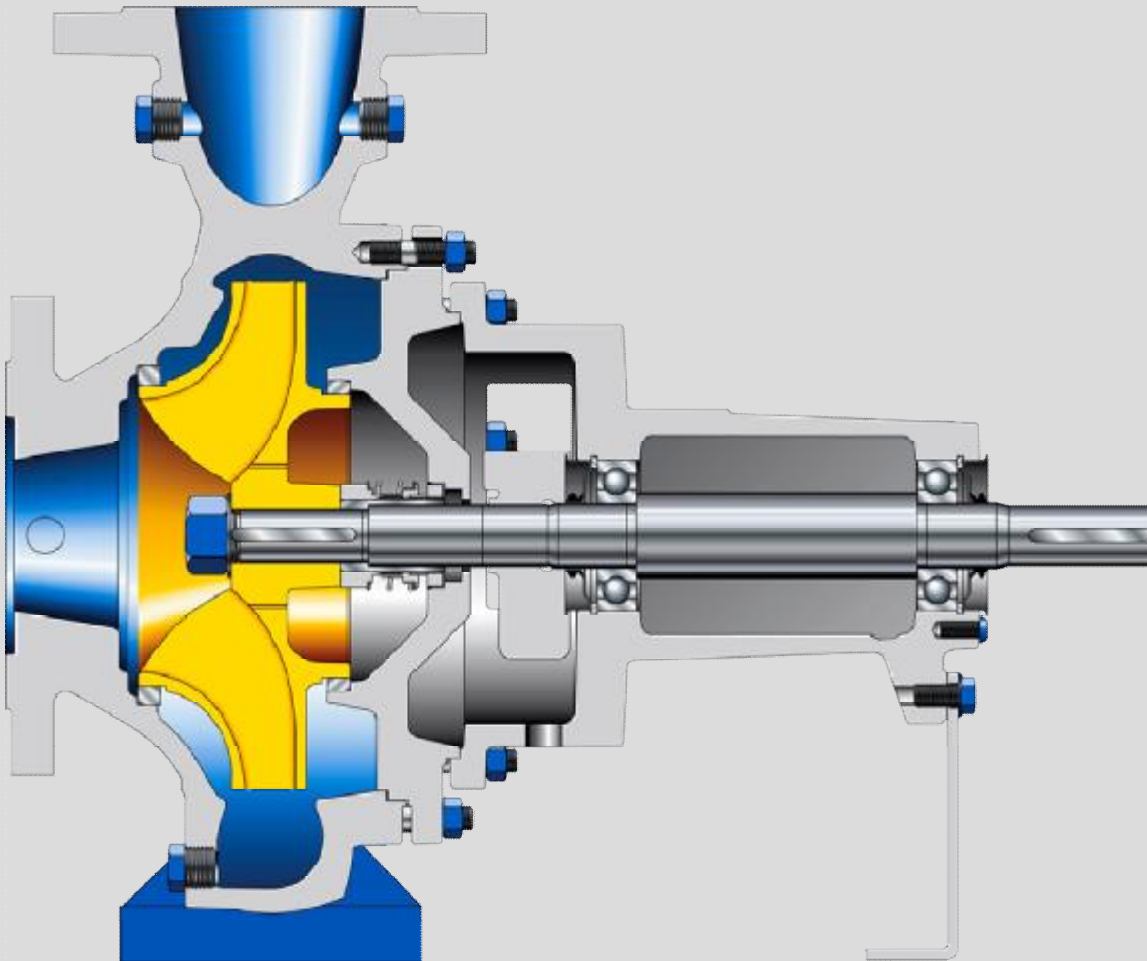


Etanorm

Customer benefits 客户利益

- Low energy consumption
Optimised and tested hydraulic system of high efficiency. As a standard, the impellers are trimmed to the operating point.

低运行能耗，最优化水力设计。切割叶轮作为标准化的一部分。

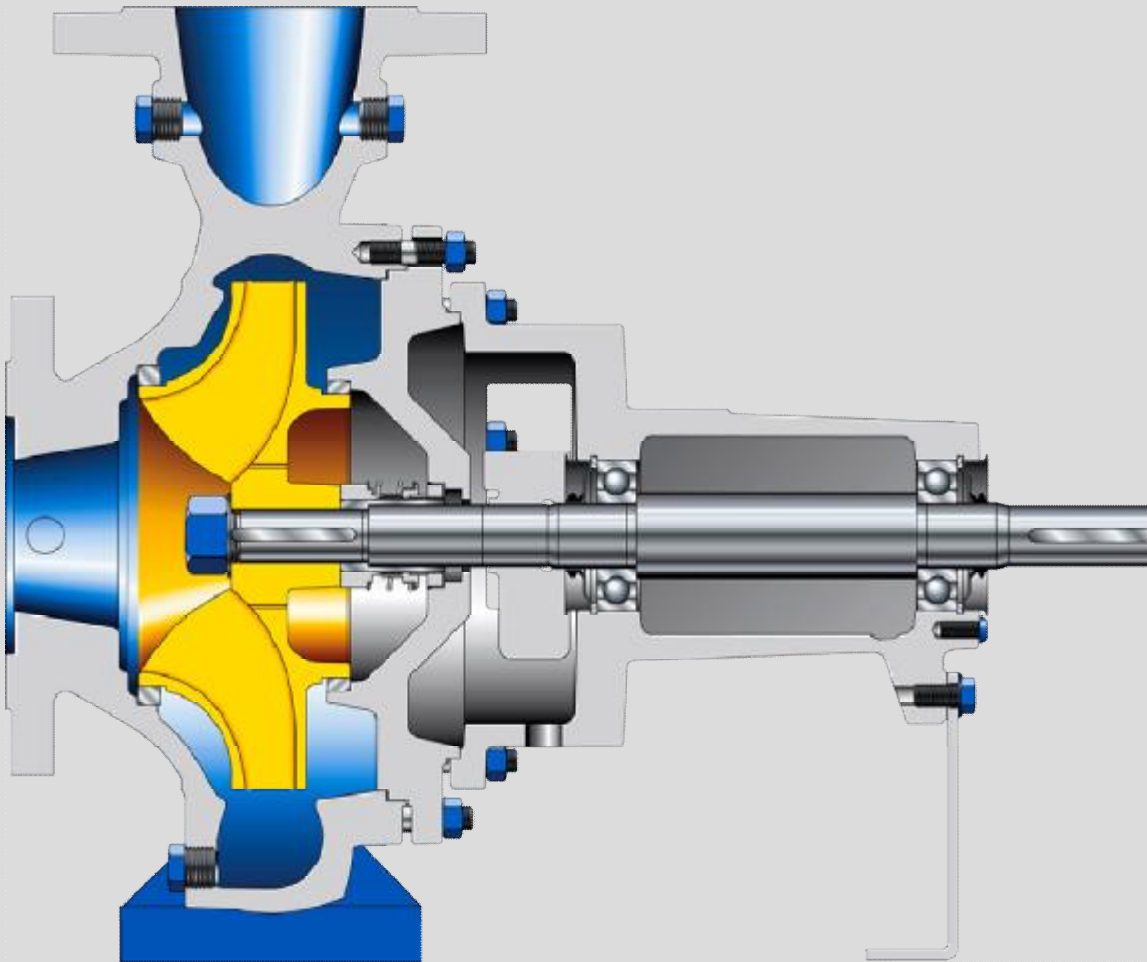


Etanorm

Customer benefits 客户利益

- High energy efficiency
Meets the European requirements for energy-efficient operation of water pumps with a minimum efficiency index $MEI \geq 0.4$.

高效率符合欧洲对于水泵运行的最低能耗的标准 $MEI \geq 0.4$ 的要求



Etanorm

Customer benefits 客户利益

- Ground-breaking features for saving energy

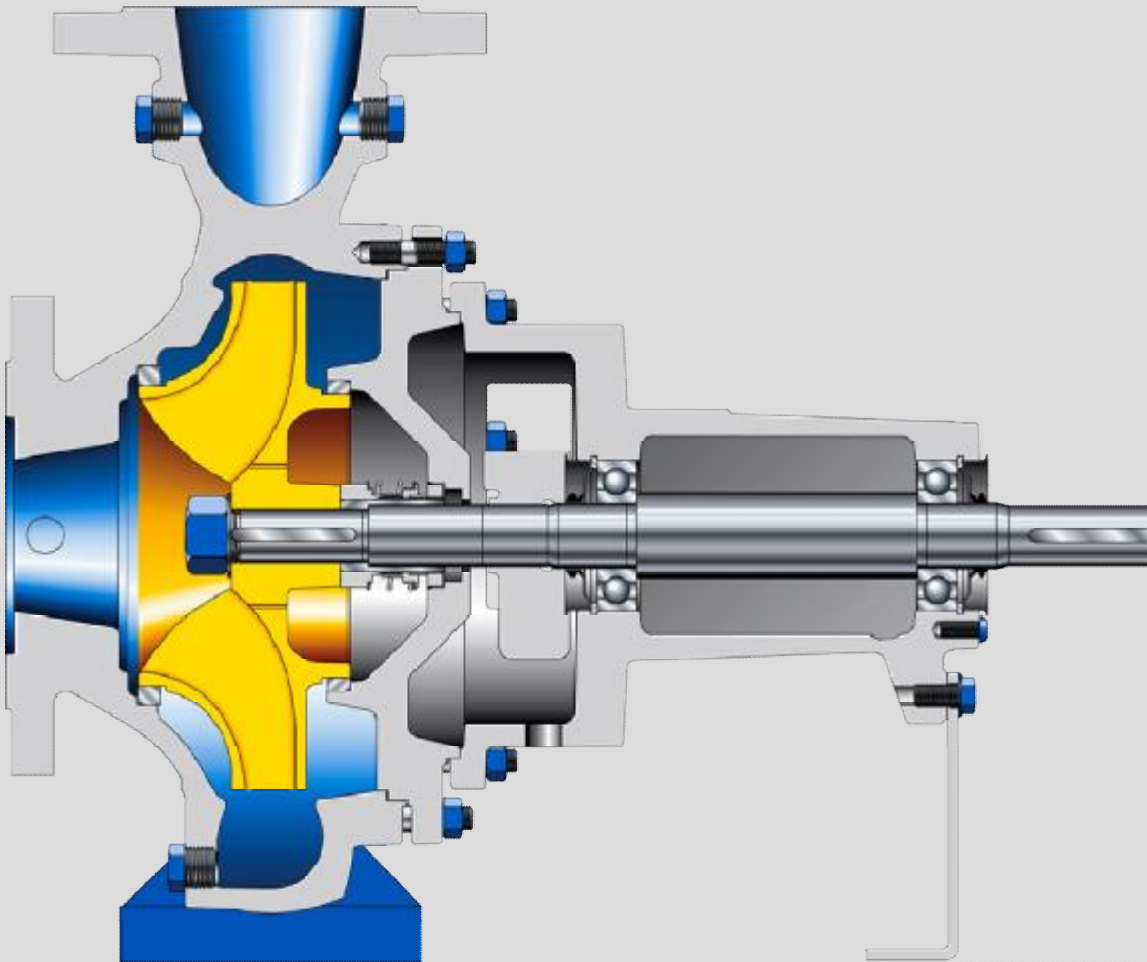
史无前例的节能方式：

Equipped with PumpDrive for variable-speed operation, and IE2 motor as a standard.

配置Pumpdrive变频器，采用IE2电机。

When used in combination with the KSB SuPremE[®] motor, the pump achieves the efficiency level IE4 to IEC/CD 60034-30 Ed. 2 already today.

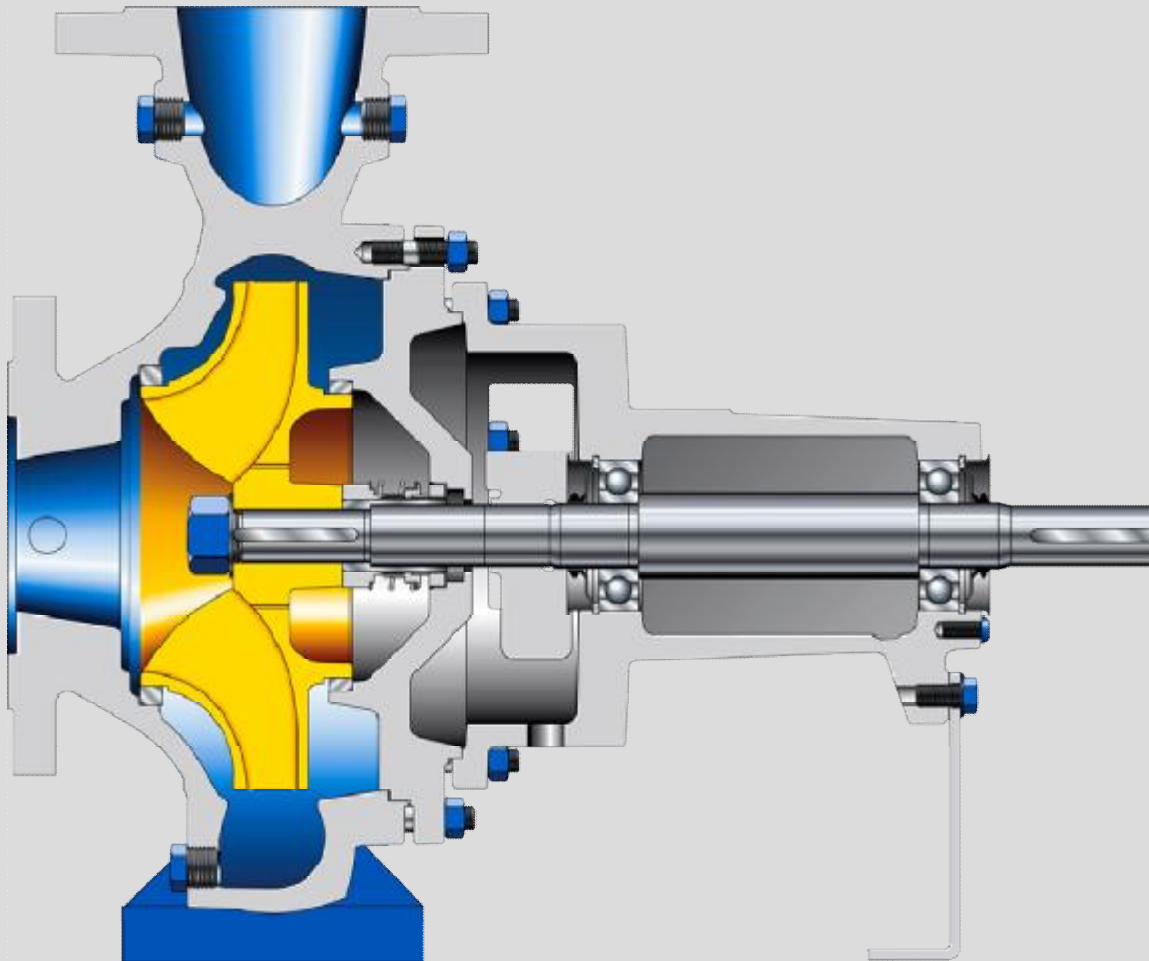
或当使用KSB超级高效电机（IE4标准），泵组则能达到IE4标准高效率，符合IEC/CD60034-30 Ed2。



Etanorm

Customer benefits 客户利益

- Operating reliability
Good suction performance for low vibration levels and very smooth running
运行可靠：更好的吸入口设计，低震动和紊流。
- Versatile
Great choice of materials for many applications available as a standard.
材料多样：各种材料配置，应用于多种场合。



Etanorm

Customer benefits 客户利益

● Diversity of variants

多样化的配置

Additional sizes for small flow rates extend the already diverse range of selection charts.

不在标准选型范围内的水泵选择

● Service-friendly

售前/后服务友好

Fast delivery of new pumps and spare parts. Easier to assemble and dismantle thanks to the larger seal chamber and forcing screws between the casing cover and bearing bracket

快速交货整泵以及零配件。由于更大的密封腔体，以及紧固螺栓连接托架和泵盖，所以现场安装方便。

Technical data

Flow rate
流量 Up to 660 m³/h (50Hz)

Up to 780 m³/h (60Hz)

Head
扬程 Up to 160 m (50Hz)

Up to 160 m (60Hz)

Fluid
temperature
介质温度 -30 ° C to +140 ° C

Material variants:

Grey cast iron JL1040 /
Grey cast iron A 48 CL 35B

Nodular cast iron JS1030 /
A536 GR 60-40-18

Stainless steel 1.4408 / A743 Gr CF8
M

Bronze CC480K-GS/B30 C90700

Etanorm

Technical data

技术数据表

Applications

应用场合

§ Pure liquids not chemically or mechanically aggressive to the pump materials.

§ 不含化学腐蚀成分的净水

§ Water supply

§ 供水

§ Cooling water

§ 冷却水

§ Swimming pool water

§ 游泳池水

§ Fire-fighting systems/water

§ 消防水

§ Seawater

§ 海水

§ Spray irrigation

§ 喷灌

§ Irrigation

§ 农田灌溉

§ Service water

§ 公共用水

§ Cleaning agents

§ 干净介质

§ Drinking water

§ 饮用水

§ Brackish water

§ 盐水

§ Drainage

§ 排水

§ Condensate

§ 冷凝水

§ Heating, air-conditioning

§ 供热, 空调水

§ Oils

§ 油

§ Hot water

§ 热水

§ Brine

§ 卤水