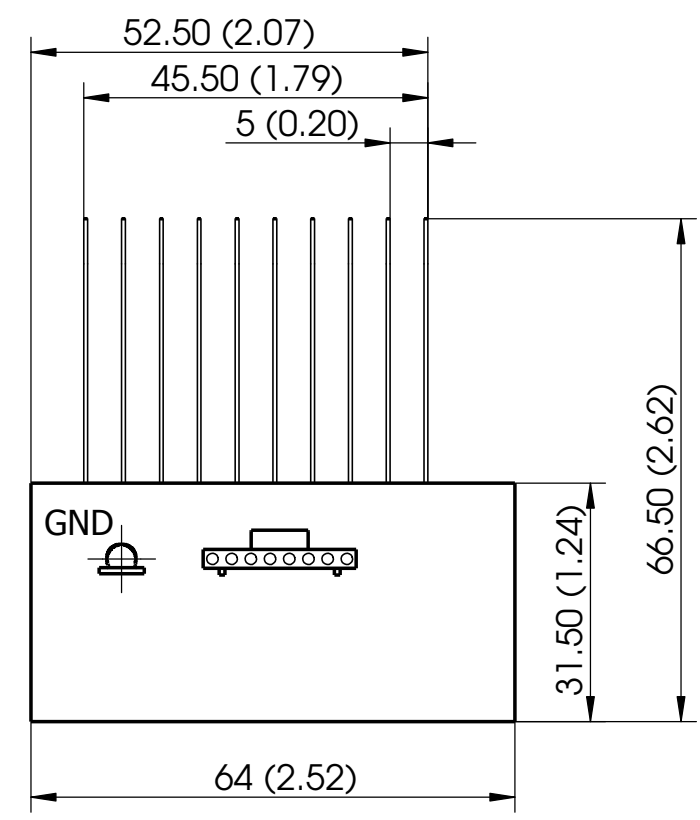
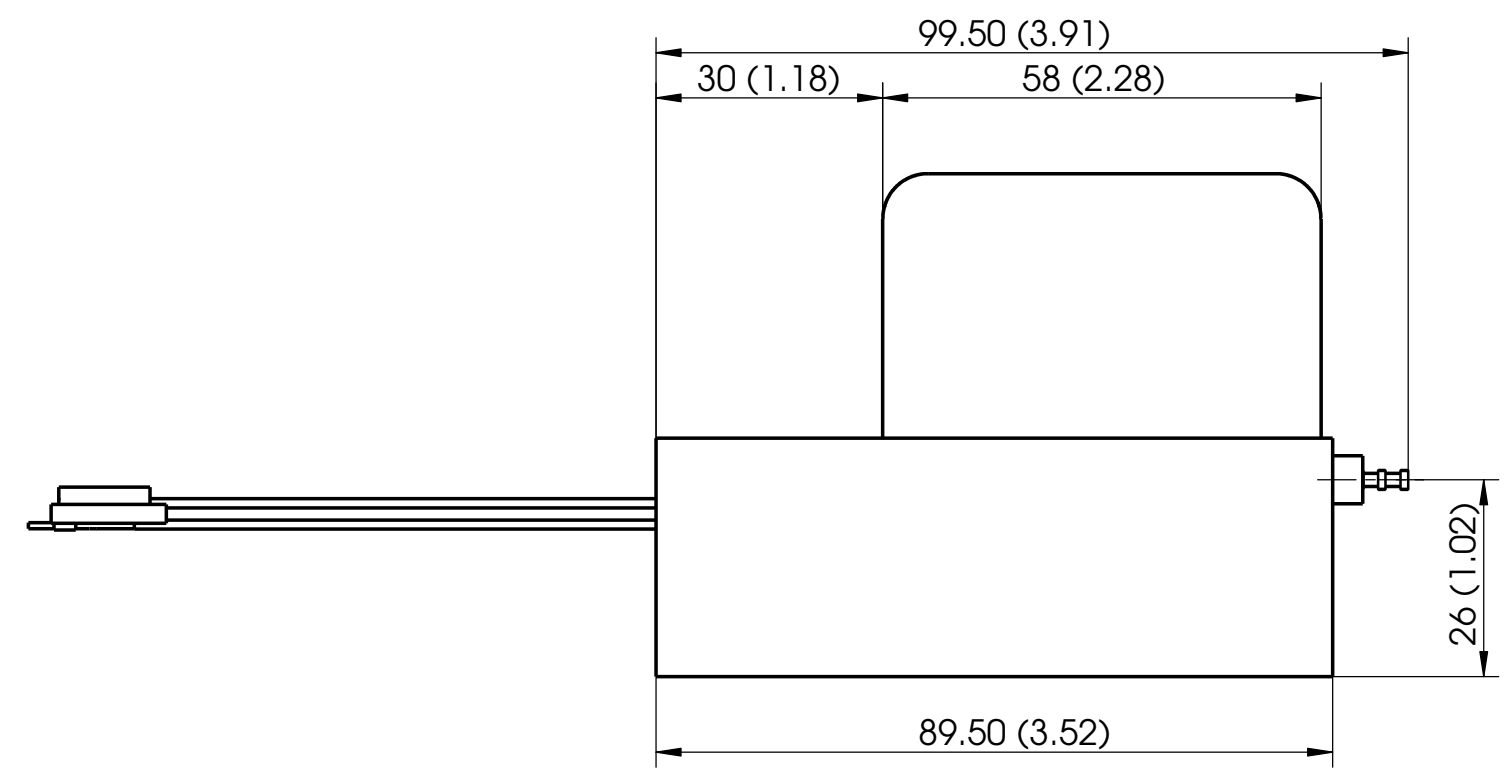


8- Pole Standard Plug:

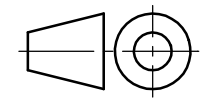
- 1- Yellow, TTL Trigger Input (3-10V)
- 2- Black, Ground/ GND/ Return
- 3- Red, +5.00 VDC ($\pm 2\%$, 500mA)
- 4- Orange, Fault Signal Out, L=Fault
- 5- Black, Ground/ GND/ Return

HFS/ HFB option only:

- 6- Violet, +22 VDC IN/ Buffer Cap. 470 μ F/ 25V
- 7- Grey, +100 VDC IN/ Buffer Cap. 100 μ F/ 450V
- 8- Black, Ground/ GND/ Return



Drawing (projection) according to DIN standards.
 All dimensions in mm and (inches).
 All data and dimensions subject to change without notice.



Modification	Date	Name	Drawn	GAL	HTS 60-24-B Modification F-0-432
			Verified		
			Date	21.04.2016	
BEHLKE BEHLKE POWER ELECTRONICS GMBH Am Auernberg 4, 61476 Kronberg - Germany HIGH-TECH IN HIGH VOLTAGE Phone +49 (0) 6173-9290-20, www.behlke.com					Drawing:
					Sheet: 1 / 1