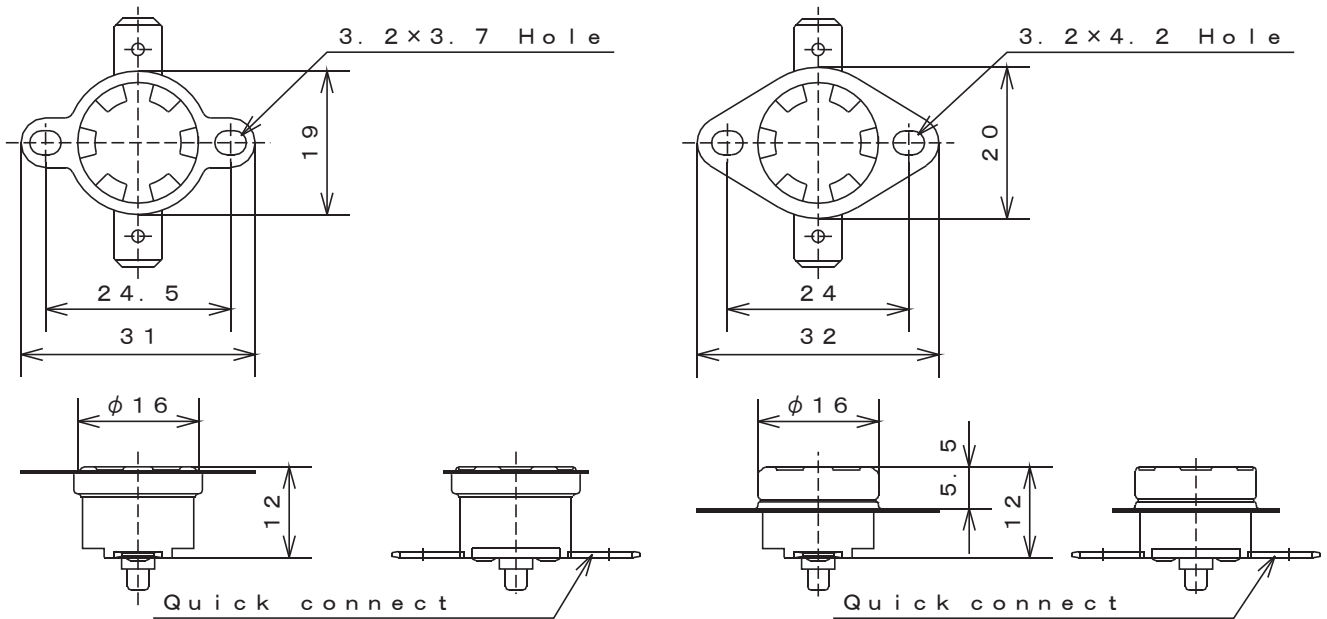




# Type: KSD301 Bimetal Thermostat

CQC TUV UL  
Recognized

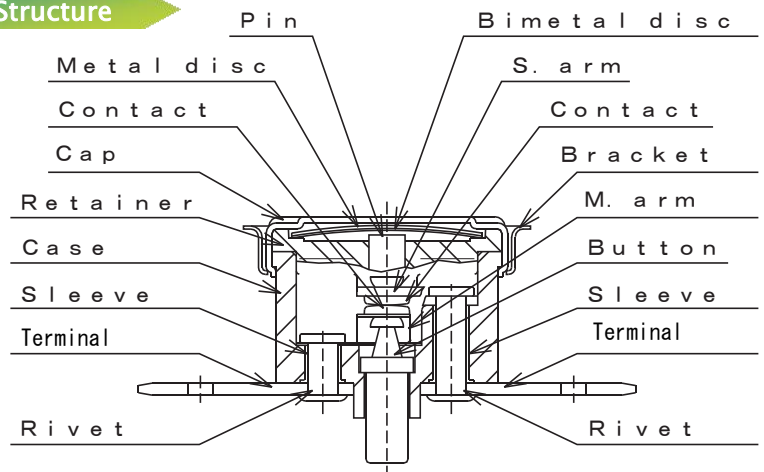
## Materials



## Materials of parts

Part	Material
Cap	Aluminum
	Copper
	Stainless steel
Case	Phenolic resin
M. arm	Beryllium Copper alloy
Terminals	Brass
Bracket	Stainless steel
Contacts	Silver-Nickel alloy
Button	Phenolic resin

## Structure



## Specification

Item	Specification
1. Reset type	Manual or Automatic reset
2. Accuracy	$\pm 3^{\circ}\text{C}$ , $\pm 5^{\circ}\text{C}$ , $\pm 10^{\circ}\text{C}$ or Requirement of customer's
3. Electrical rating	UL : AC120V/15A AC240V/10A CQC:AC250V/10A AC125V/16A VDE : AC250V/10~16A
4. life Cycle	100,000
5. Differential	$-10\sim 300^{\circ}\text{C}$ or Requirement of customer's
6. Insulation resistance	Not less than $1,000\text{M}\Omega/\text{DC}500\text{V}$
7. Dielectric strength	Not less than AC1,500V/1min. or AC1,800V/1sec.

## Standard

