

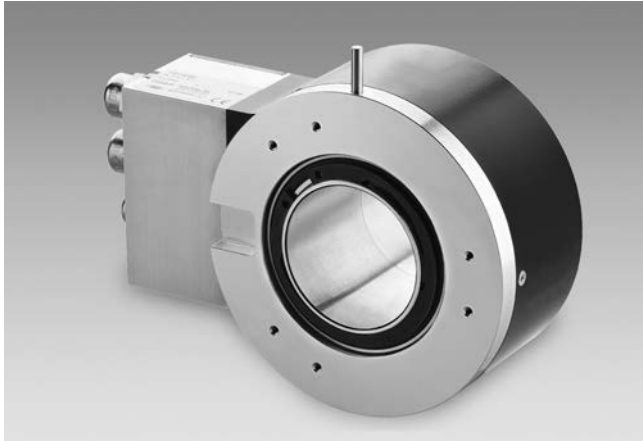
Absolute encoders - modular bus covers

Through hollow shaft up to $\varnothing 50.8$ mm

Optical multiturn encoders 13 bit ST / 16 bit MT

CANopen® / DeviceNet / Profibus

G2MMH



G2MMH with modular bus cover

Features

- Encoder multiturn / bus cover
- Optical sensing method
- Resolution: singleturn 13 bit, multiturn 16 bit
- Through hollow shaft of 2" diameter
- High flexibility in mounting and maintenance
- Resolution, baud rate, node ID optionally selectable
- Code continuity check optional by bus

Optional

- Modular bus covers for SSI interface

Technical data - electrical ratings

Voltage supply	10...30 VDC
Reverse polarity protection	Yes
Consumption w/o load	≤ 100 mA (24 VDC)
Initializing time typ.	250 ms after power on
Interfaces	CANopen®, DeviceNet, Profibus-DPV0
Function	Multiturn
Device adress	Rotary switches in bus cover
Steps per revolution	≤ 8192 / 13 bit
Number of revolutions	≤ 65536 / 16 bit
Absolute accuracy	$\pm 0.025^\circ$
Sensing method	Optical
Code	Binary
Code sequence	CW/CCW programmable
Interference immunity	DIN EN 61000-6-2
Emitted interference	DIN EN 61000-6-4
Programmable parameters	Steps per revolution Number of revolutions Preset Scaling Rotating direction
Diagnostic functions	Position or parameter error Multiturn sensing
Status indicator	DUO-LED integrated in bus cover
Approval	UL approval / E63076

Technical data - mechanical design

Size (flange)	$\varnothing 116$ mm
Shaft type	$\varnothing 50.8$ mm (through hollow shaft)
Protection DIN EN 60529	IP 54, IP 65 (optional)
Operating speed	≤ 2000 rpm (mechanical) ≤ 6000 rpm (electric)
Starting torque	≤ 0.5 Nm (+25 °C)
Rotor moment of inertia	11000 gcm ²
Materials	Housing: aluminium Flange: aluminium Bus cover: aluminium
Operating temperature	-25...+85 °C -40...+85 °C (optional)
Relative humidity	95 % non-condensing
Resistance	DIN EN 60068-2-6 Vibration 10 g, 16-2000 Hz DIN EN 60068-2-27 Shock 200 g, 6 ms
Weight approx.	1200 g
Connection	Bus cover

Absolute encoders - modular bus covers

Through hollow shaft up to $\varnothing 50.8$ mm

Optical multiturn encoders 13 bit ST / 16 bit MT

CANopen® / DeviceNet / Profibus

G2MMH

Part number

G2MMH.

	20	
--	----	--

		<u>Interface</u>
	3P32	Profibus-DPV0 / cable gland
	5P32	CANopen® / cable gland
	8P22	DeviceNet / cable gland
		<u>Through hollow shaft</u>
2	$\varnothing 50.8$ mm, pin 15 mm	
3	$\varnothing 50$ mm, pin 15 mm	

CD with file descriptions is not included in the delivery.
You may order them on CD as accessory under part number
Z 150.022.

Accessories

Mounting accessories

11034095	Rubber buffer element 18.5 mm long, as torque support (Z 119.037)
11034096	Set of adjusting angles as torque support (Z 119.039)
11034097	Shoulder screw M5 as torque support (Z 119.040)
10139345	Torque support by rubber buffer for encoders with 15 mm pin (Z 119.041)
10147837	Spring coupling for one-side attachment, length 35 mm (Z 119.050)

Programming accessories

10146710	CD with describing files & manuals (Z 150.022)
----------	--

Absolute encoders - modular bus covers

Through hollow shaft up to $\varnothing 50.8$ mm

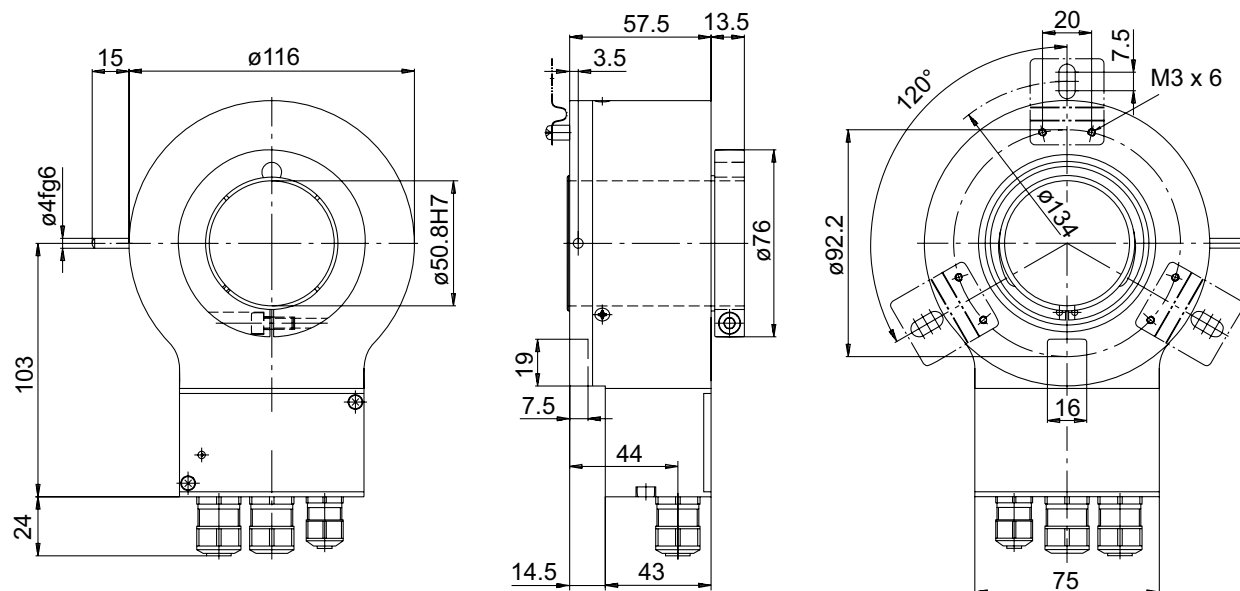
Optical multiturn encoders 13 bit ST / 16 bit MT

CANopen® / DeviceNet / Profibus

G2MMH

Dimensions

G2MMH - CANopen®, Profibus



Bus cover DeviceNet

