

| REV. | DESCRIPTION | DRW. | CHK. | APP. | DATE |
|------|-------------|------|------|------|------|
| A    | RELEASE     |      |      |      |      |
|      |             |      |      |      |      |

**SPECIFICATIONS**

Current Rating:  
1 Amp

Insulator resistance:  
1000 Megohms Min.

Contact resistance:  
25 m ohms Max.

Dielectric withstanding:  
AC 500V/minute

Operating Temperature:  
-40° ~ +105°C

Contact Material:  
BRASS

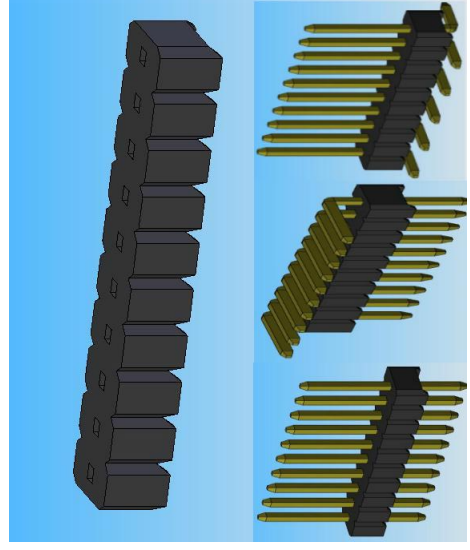
Insulator Material:  
High Temperature Thermoplastic  
+Glass Fibre UL94V-0

Color: Black

Finish:  
Gold, Tin or Duplex plated

Standard: Gold flash all over  
Duplex plated:  
Gold plated on contact area  
Tin on solder area

**RoHS Compliance**



**ORDERING INFORMATION**

**TPHIL X12551-XXXXXX-XXX-XXX-XXX**

Material  
B PBT  
N Nylon-6T  
L LCP

Row of plastic  
Single Row

Plastic Height  
2.54mm

Squite & Pitch  
0.50sq x PH2.54mm

Number of Contact  
02-40

Exterior  
Referenced Sheet 3/6, 4/6, 5/6, 6/6

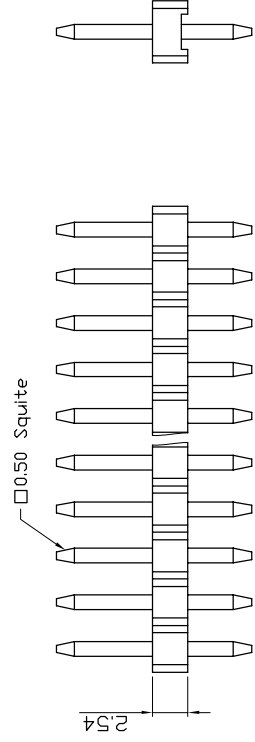
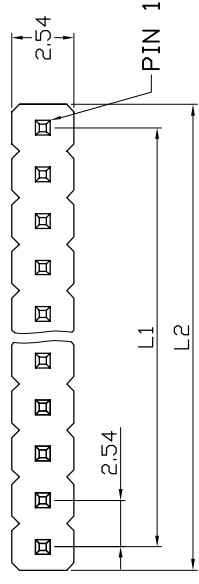
Adjunctive Code  
Referenced Sheet 2/6

Dimension  
A  
6/3 A/B  
6/3/1.5 A/B/C

Plating Type  
G Gold Plated  
T Tin Plated  
H Duplex Plated

Contact Plating  
01 Normal  
03 3μ"  
05 5μ"  
10 10μ"

Color  
B Black  
R Red  
U Blue  
: :  
: :



示意图

| Cir-cuits | Dimension mm |        |
|-----------|--------------|--------|
|           | L1           | L2     |
| 2         | 2.54         | 5.08   |
| 3         | 5.08         | 7.62   |
| 4         | 7.62         | 10.16  |
| 5         | 10.16        | 12.70  |
| 6         | 12.70        | 15.24  |
| 7         | 15.24        | 17.78  |
| 8         | 17.78        | 20.32  |
| 9         | 20.32        | 22.86  |
| 10        | 22.86        | 25.40  |
| 11        | 25.40        | 27.94  |
| 12        | 27.94        | 30.48  |
| 13        | 30.48        | 33.02  |
| 14        | 33.02        | 35.56  |
| 15        | 35.56        | 38.10  |
| 16        | 38.10        | 40.64  |
| 17        | 40.64        | 43.18  |
| 18        | 43.18        | 45.72  |
| 19        | 45.72        | 48.26  |
| 20        | 48.26        | 50.80  |
| 21        | 50.80        | 53.34  |
| 22        | 53.34        | 55.88  |
| 23        | 55.88        | 58.42  |
| 24        | 58.42        | 60.96  |
| 25        | 60.96        | 63.50  |
| 26        | 63.50        | 66.04  |
| 27        | 66.04        | 68.58  |
| 28        | 68.58        | 71.12  |
| 29        | 71.12        | 73.66  |
| 30        | 73.66        | 76.20  |
| 31        | 76.20        | 78.74  |
| 32        | 78.74        | 81.28  |
| 33        | 81.28        | 83.82  |
| 34        | 83.82        | 86.36  |
| 35        | 86.36        | 88.90  |
| 36        | 88.90        | 91.44  |
| 37        | 91.44        | 93.98  |
| 38        | 93.98        | 96.52  |
| 39        | 96.52        | 99.06  |
| 40        | 99.06        | 101.60 |

| 成品规格图   |                                 | APP.    | ANGLES | ±3°       | SIZE  | A4   |
|---------|---------------------------------|---------|--------|-----------|-------|------|
| TITLE   | 2.54mm Pin Header 12551 Series  | CHK.    | LINEAR | 0.0 ±0.38 | SCALE | NONE |
| PART NO | TPHIL.X12551-XXXXXX-XXX-XXX-XXX |         |        | 0.00±0.25 | SHEET | 1/6  |
| DRW NO  |                                 | DR.     |        |           |       |      |
| UNIT    | mm(INCH)                        | PROJECT |        |           |       |      |

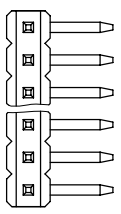
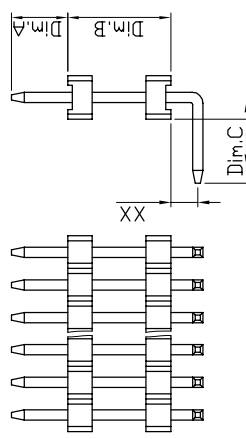
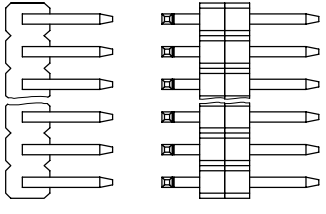
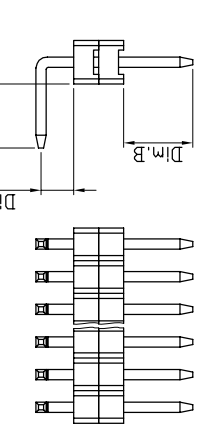
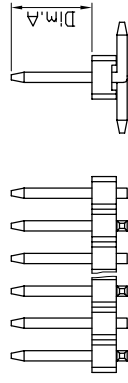
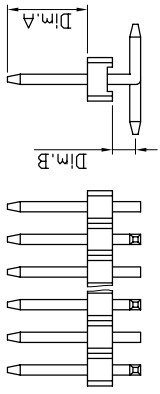
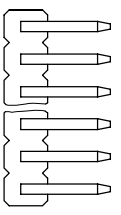
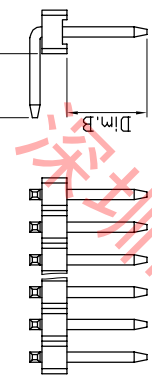
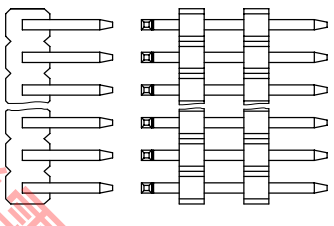
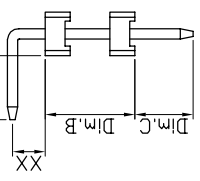
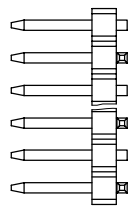
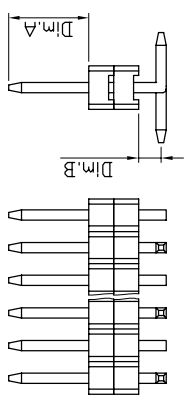
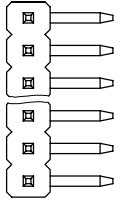
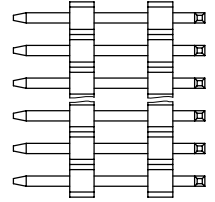
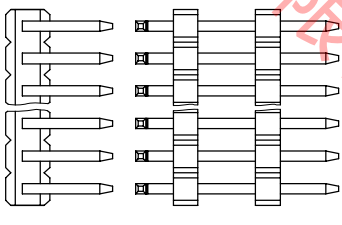
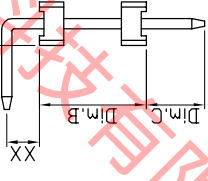
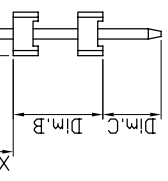
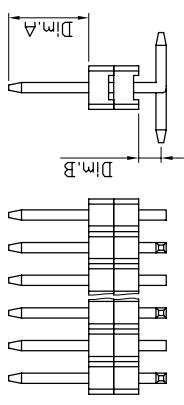
深圳市腾尔科技有限公司



1 2 3 4 5 6 7 8

# E X T E R I O R

| REV. | DESCRIPTION | DRW. | CHK. | APP. | DATE |
|------|-------------|------|------|------|------|
| A    | RELEASE     |      |      |      |      |
|      |             |      |      |      |      |

|  |  |   |   |  |  |
|--|--|---|---|--|--|
| B  | C  | D   | E   | F  | G  |
| <br><b>D21</b><br>Dimension             | <br><b>D22</b><br>Dimension             | <br><b>R20</b><br>Dimension             | <br><b>R21</b><br>Dimension             | <br><b>M00</b><br>Dimension             | <br><b>M20</b><br>Dimension             |
| <br><b>R00</b><br>Exterior<br>Dimension  | <br><b>R10</b><br>Exterior<br>Dimension  | <br><b>R22</b><br>Exterior<br>Dimension  | <br><b>M00</b><br>Dimension               | <br><b>M00</b><br>Exterior<br>Dimension | <br><b>M20</b><br>Exterior<br>Dimension |
| <br><b>D21</b><br>Exterior<br>Dimension | <br><b>D22</b><br>Exterior<br>Dimension | <br><b>R21</b><br>Exterior<br>Dimension | <br><b>R22</b><br>Exterior<br>Dimension | <br><b>M00</b><br>Dimension            | <br><b>M20</b><br>Exterior<br>Dimension |
| <b>TPHILX12551-XXD21X-XXX-A/B/C-XXX</b><br>Exterior<br>Dimension   | <b>TPHILX12551-XXD22X-XXX-A/B/C-XXX</b><br>Exterior<br>Dimension   | <b>TPHILX12551-XXR21X-XXX-A/B/C-XXX</b><br>Exterior<br>Dimension  | <b>TPHILX12551-XXR22X-XXX-A/B/C-XXX</b><br>Exterior<br>Dimension  | <b>TPHILX12551-XXM00X-XXX-A-XXX</b><br>Exterior<br>Dimension   | <b>TPHILX12551-XXM20X-XXX-A/B-XXX</b><br>Exterior<br>Dimension   |
| <b>TPHILX12551-XXM10X-XXX-A/B-XXX</b><br>Exterior<br>Dimension   | <b>TPHILX12551-XXM10X-XXX-A/B-XXX</b><br>Exterior<br>Dimension   | <b>TPHILX12551-XXM10X-XXX-A/B-XXX</b><br>Exterior<br>Dimension  | <b>TPHILX12551-XXM10X-XXX-A/B-XXX</b><br>Exterior<br>Dimension  | <b>TPHILX12551-XXM10X-XXX-A/B-XXX</b><br>Exterior<br>Dimension   | <b>TPHILX12551-XXM10X-XXX-A/B-XXX</b><br>Exterior<br>Dimension   |

| 成品規格圖        |                                |         |      | APP. |
|--------------|--------------------------------|---------|------|------|
| TITLE        | 2.54mm Pin Header 12551 Series |         |      | CHK. |
| PART NO      | TPHILX12551-XXXXXX-XXX-XXX-XXX |         |      | DR.  |
| DRW NO       |                                |         |      |      |
| UNIT         | mm(INCH)                       | PROJECT |      |      |
| ANGLES       | ±3°                            | SIZE    | A4   |      |
| LINEAR       | 0.0 ±0.38                      | SCALE   | NONE |      |
|              | 0.00±0.25                      | SHEET   | 4/6  |      |
| 深圳市騰暉爾科技有限公司 |                                |         |      |      |

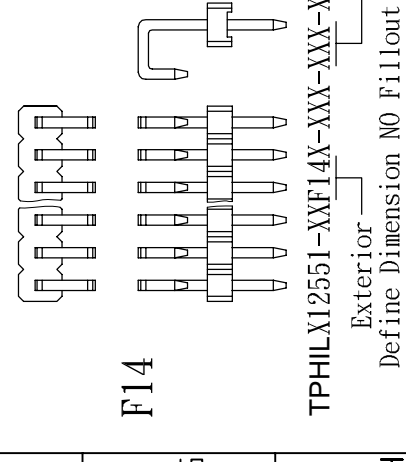
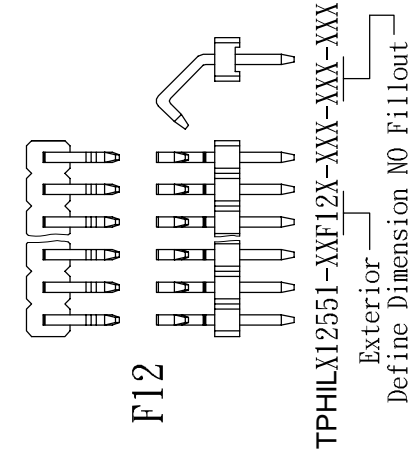
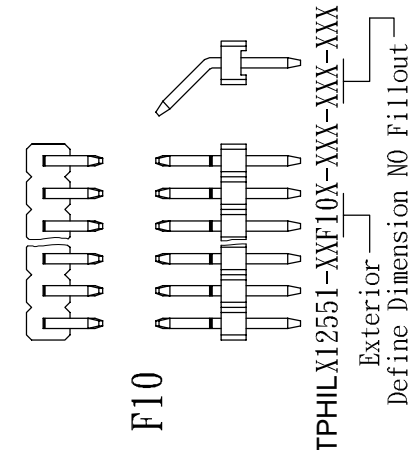
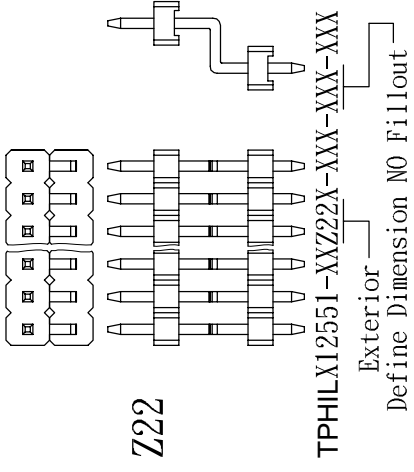
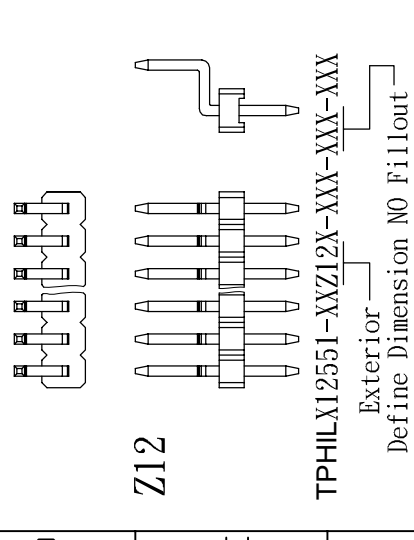
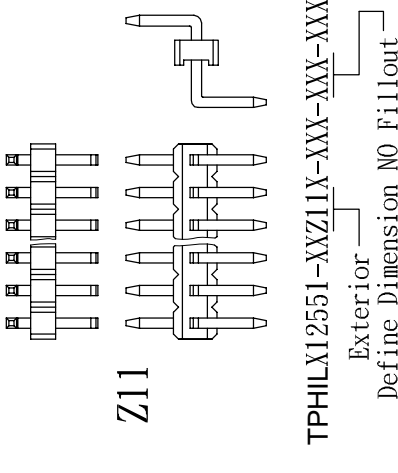
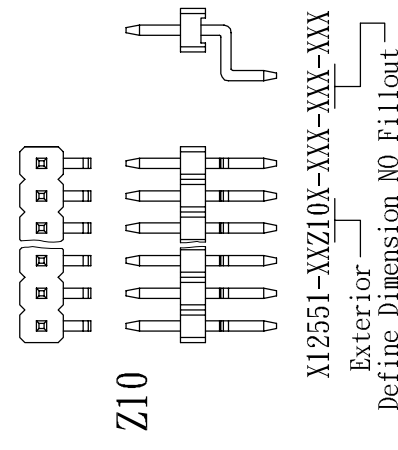
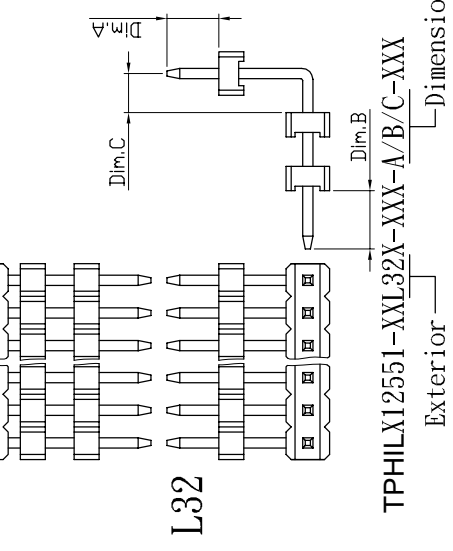
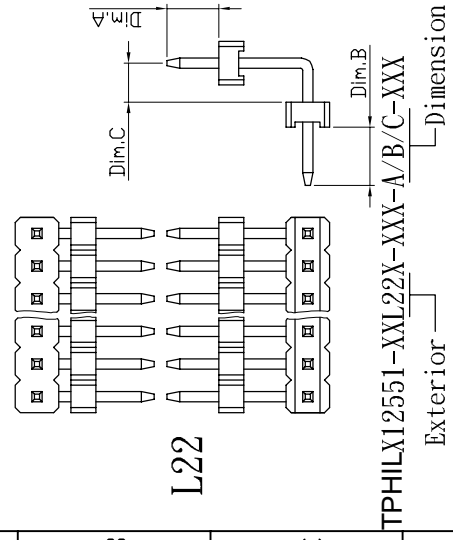
1 2 3 4 5 6 7 8



1 2 3 4 5 6 7 8

# E X T E R I O R

| REV. | DESCRIPTION | DRW. | CHK. | APP. | DATE |
|------|-------------|------|------|------|------|
| A    | RELEASE     |      |      |      |      |
|      |             |      |      |      |      |



|              |                                  |         |        |           |       |      |
|--------------|----------------------------------|---------|--------|-----------|-------|------|
| <b>成品規格圖</b> |                                  | APP.    | ANGLES | ±3°       | SIZE  | A4   |
| TITLE        | 2.54mm Pin Header 12551 Series   | CHK.    | LINEAR | 0.0 ±0.38 | SCALE | NONE |
| PART NO      | TPHILX12551-XXXXXXXX-XXX-XXX-XXX |         |        | 0.00±0.25 | SHEET | 6/6  |
| DRW NO       |                                  | DR.     |        |           |       |      |
| UNIT         | mm(INCH)                         | PROJECT | ◎      |           |       |      |
| 深圳市騰華爾科技有限公司 |                                  |         |        |           |       |      |

A B C D E F G H

1 2 3 4 5 6 7 8