

REV.	DESCRIPTION	DRW.	CHK.	APP.	DATE
A	RELEASE				

SPECIFICATIONS

Current Rating:

1 Amp

Insulator resistance:

1000 Megohms Min.

Contact resistance:

25 m ohms Max.

Dielectric withstanding:

AC 500V/minute

Operating Temperature:

-40° - +105°C

Contact Material:

BRASS

Insulator Material:

High Temperature Thermoplastic

+Glass Fibre LL94V-0

Color: Black

Finish:

Gold, Tin or Duplex plated

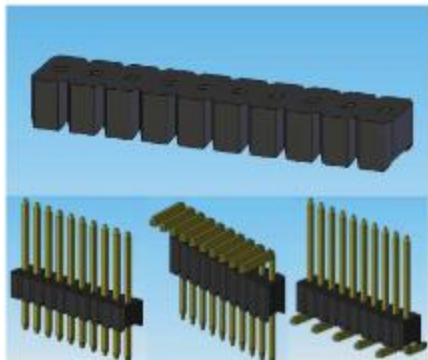
Standard: Gold flash all over

Duplex plated:

Gold plated on contact area

Tin on solder area

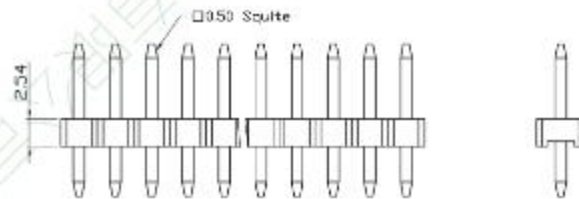
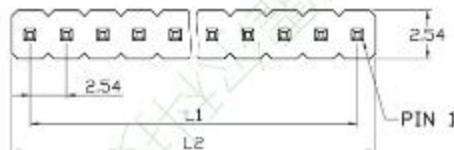
RoHS Compliance



ORDERING INFORMATION

TPHIL X12551-XXXXXX-XXX-XXX-XXX

Material	B PBT	N Nylon-6T	L LCP	Adjunctive Code	Referenced Sheet 2/0
Row of plastic	Single Row	Plastic Height	2.54mm	Dimension	6 A 6/3 A/3 6/3/L.5 A/3/C
Squite & Pitch	0.50sq x P82.54mm	Number of Contact	02-40	Plating Type	C Gold Plated T Tin Plated D Duplex Plated
Exterior	Referenced Sheet 3/6, 4/6, 5/6, 6/6	Contact Plating	01 Normal 03 3μ" 05 5μ" 10 10μ" : : : :	Color	B Black R Red B Blue : : : :



示意图

Circuits	Dimension mm	
	L1	L2
2	2.54	5.08
3	5.08	7.62
4	7.62	10.16
5	10.16	12.70
6	12.70	15.24
7	15.24	17.78
8	17.78	20.32
9	20.32	22.86
10	22.86	25.40
11	25.40	27.94
12	27.94	30.48
13	30.48	33.02
14	33.02	35.56
15	35.56	38.10
16	38.10	40.64
17	40.64	43.18
18	43.18	45.72
19	45.72	48.26
20	48.26	50.80
21	50.80	53.34
22	53.34	55.88
23	55.88	58.42
24	58.42	60.96
25	60.96	63.50
26	63.50	66.04
27	66.04	68.58
28	68.58	71.12
29	71.12	73.66
30	73.66	76.20
31	76.20	78.74
32	78.74	81.28
33	81.28	83.82
34	83.82	86.36
35	86.36	88.90
36	88.90	91.44
37	91.44	93.98
38	93.98	96.52
39	96.52	99.06
40	99.06	101.60

成品规格图

APP.



ANGLES

±3°

SIZE

A4

LINEAR

0.0 ±0.38

SCALE

NONE

0.00±0.25

SHEET

1/6

TITLE

2.54mm Pin Header 12551 Series

CHK.

PART NO

TPHIL X12551-XXXXXX-XXX-XXX-XXX

DRW NO

DR.

UNIT

mm(INCH)

PROJECT

☉ □

深圳市测试尔科技有限公司

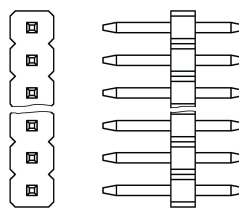
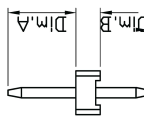
Shenzhen Test Phil Technology Co., Ltd.

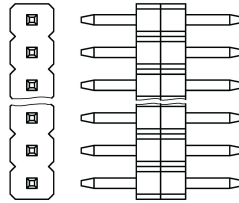
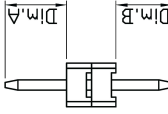
电话手机: 18003304126 余先生 00181092936

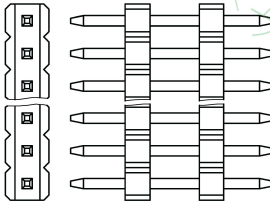
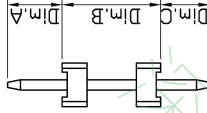
1 2 3 4 5 6 7 8

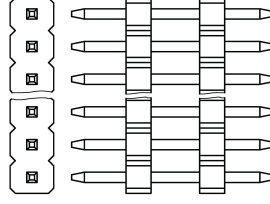
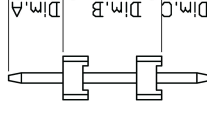
E X T E R I O R

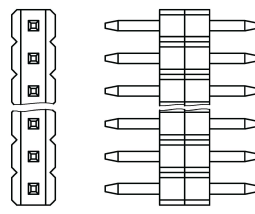
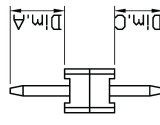
REV.	DESCRIPTION	DRW.	CHK.	APP.	DATE
A	RELEASE				

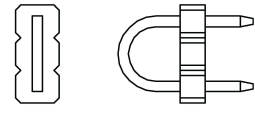
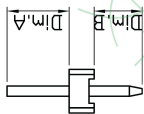
S10  **TPHILX12551-XXS10X-XXX-A/B-XXX** Exterior  Dimension

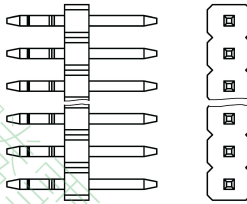
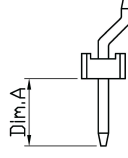
S20  **TPHILX12551-XXS20X-XXX-A/B-XXX** Exterior  Dimension

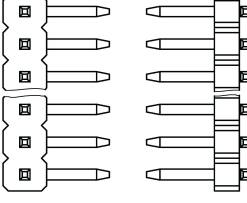
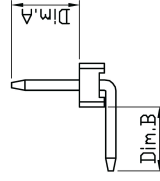
S21  **TPHILX12551-XXS21X-XXX-A/B/C-XXX** Exterior  Dimension

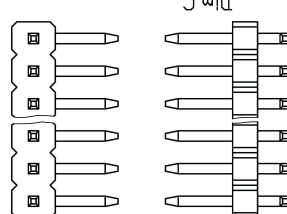
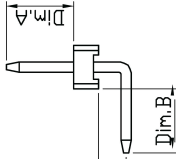
S22  **TPHILX12551-XXS22X-XXX-A/B/C-XXX** Exterior  Dimension

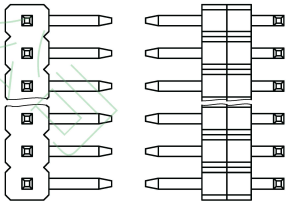
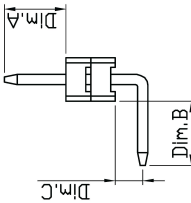
S23  **TPHILX12551-XXS23X-XXX-A/B-XXX** Exterior  Dimension

A10  **TPHILX12551-XXA10X-XXX-A/B-XXX** Exterior  Dimension

J10  **TPHILX12551-XXJ10X-XXX-A-XXX** Exterior  Dimension

D00  **TPHILX12551-XXD00X-XXX-A/B-XXX** Exterior  Dimension

D10  **TPHILX12551-XXD10X-XXX-A/B/C-XXX** Exterior  Dimension

D20  **TPHILX12551-XXD20X-XXX-A/B/C-XXX** Exterior  Dimension

成品規格圖		APP.	ANGLES	±3°	SIZE	A4
2.54mm Pin Header 12551 Series		CHK.	LINEAR	0.0 ±0.38	SCALE	NONE
PART NO TPHILX12551-XXXXXX-XXX-XXX-XXX		DR.	0.00±0.25		SHEET	3/6
UNIT mm(INCH)		PROJECT		◎		

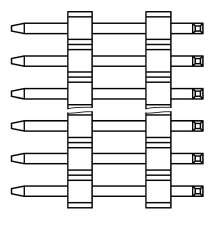
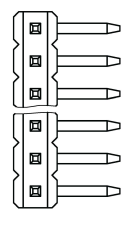
深圳市騰菲爾科技有限公司
 Shenzhen Teng Phil Technology Co., Ltd.
 微信手机: 18025334326 余先生 QQ: 1341092936

A B C D E F G H

1 2 3 4 5 6 7 8

EXTERIOR

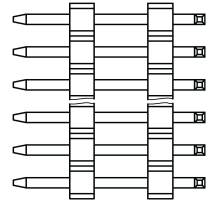
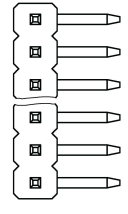
REV.	DESCRIPTION	DRW.	CHK.	APP.	DATE
A	RELEASE				



D21

TPHILX12551-XXD21X-XXX-A/B/C-XXX

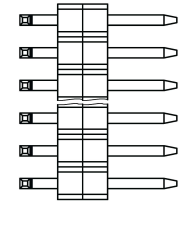
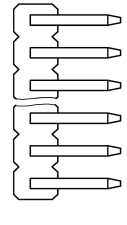
Exterior Dimension



D22

TPHILX12551-XXD22X-XXX-A/B/C-XXX

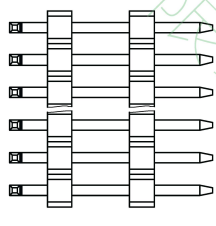
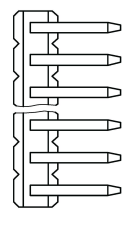
Exterior Dimension



R20

TPHILX12551-XXR20X-XXX-A/B/C-XXX

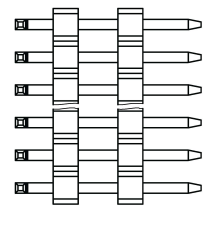
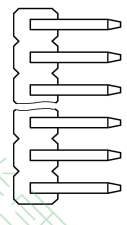
Exterior Dimension



R21

TPHILX12551-XXR21X-XXX-A/B/C-XXX

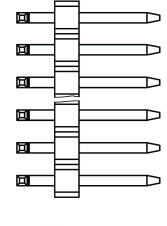
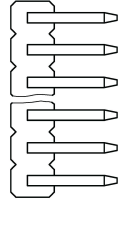
Exterior Dimension



R00

TPHILX12551-XXR00X-XXX-A/B-XXX

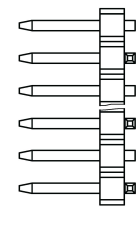
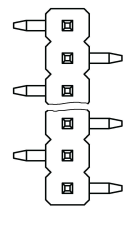
Exterior Dimension



R10

TPHILX12551-XXR10X-XXX-A/B/C-XXX

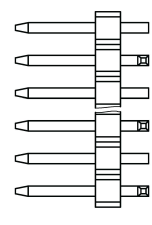
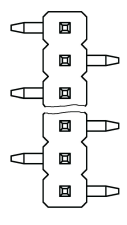
Exterior Dimension



M00

TPHILX12551-XXM00X-XXX-A-XXX

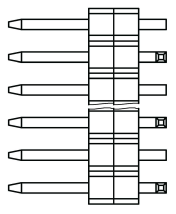
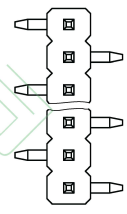
Exterior Dimension



M10

TPHILX12551-XXM10X-XXX-A/B-XXX

Exterior Dimension



M20

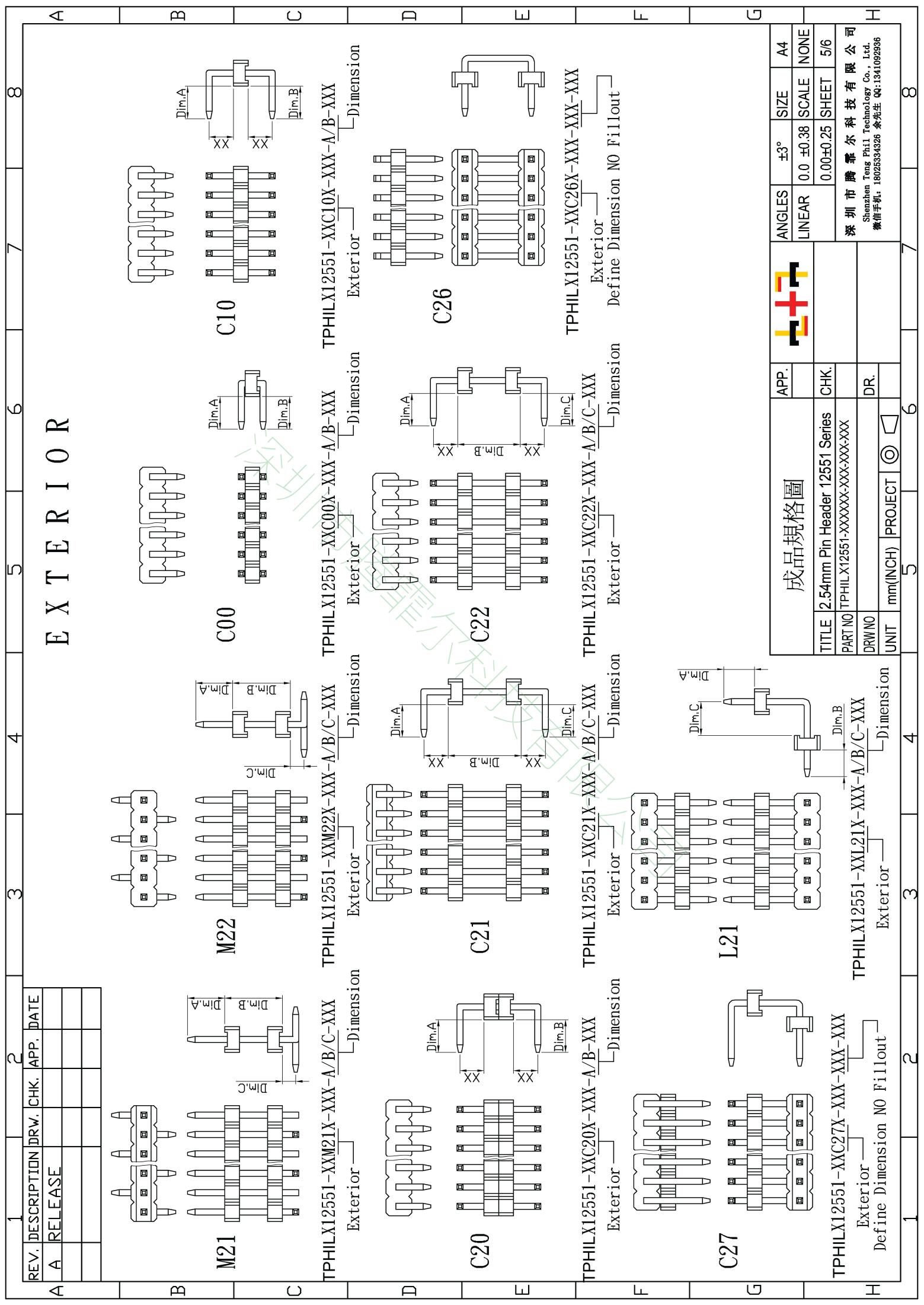
TPHILX12551-XXM20X-XXX-A/B-XXX

Exterior Dimension

		ANGLES	±3°	SIZE	A4
		LINEAR	0.0 ±0.38	SCALE	NONE
成品規格圖		APP.			
TITLE	2.54mm Pin Header 12551 Series		CHK.		
PART NO	TPHILX12551-XXXXXX-XXX-XXX-XXX				
DRW/NO			DR.		
UNIT	mm(INCH)	PROJECT	◎		

深圳市腾菲尔科技有限公司
 Shenzhen Teng Phil Technology Co., Ltd.
 微信手机: 18025534326 余先生 QQ: 1341092936

1 2 3 4 5 6 7 8



REV.	DESCRIPTION	DRW.	CHK.	APP.	DATE
A	RELEASE				

成品規格圖		APP.	ANGLES	±3°	SIZE	A4
TITLE	2.54mm Pin Header 12551 Series	CHK.	LINEAR	0.0 ±0.38	SCALE	NONE
PART NO	TPHILX12551-XXXXXX-XXX-XXX-XXX			0.00±0.25	SHEET	5/6
DRW/NO		DR.				
UNIT	mm(INCH)	PROJECT				

深圳市騰菲爾科技有限公司
 Shenzhen Teng Phil Technology Co., Ltd.
 微信手机: 18025534326 余先生 QQ:1341092936

TPHILX12551-XXX-XXX-XXX-XXX
 Exterior
 Define Dimension NO Fillout

TPHILX12551-XXM22X-XXX-A/B/C-XXX
 Exterior
 Dimension

TPHILX12551-XXC21X-XXX-A/B/C-XXX
 Exterior
 Dimension

TPHILX12551-XXC26X-XXX-XXX-XXX
 Exterior
 Define Dimension NO Fillout

TPHILX12551-XXM21X-XXX-A/B/C-XXX
 Exterior
 Dimension

TPHILX12551-XXC22X-XXX-A/B/C-XXX
 Exterior
 Dimension

TPHILX12551-XXC10X-XXX-A/B-XXX
 Exterior
 Dimension

M22
 Dimension
 Dim.A
 Dim.B
 Dim.C

C00
 Exterior
 Dimension
 Dim.A
 Dim.B

C10
 Exterior
 Dimension
 Dim.A
 Dim.B

L21
 Dimension
 Dim.A
 Dim.C
 Dim.B

C22
 Exterior
 Dimension
 Dim.A
 Dim.B
 Dim.C

C26
 Exterior
 Dimension
 Dim.A

C21
 Exterior
 Dimension
 Dim.A
 Dim.B
 Dim.C

C20
 Exterior
 Dimension
 Dim.A
 Dim.B

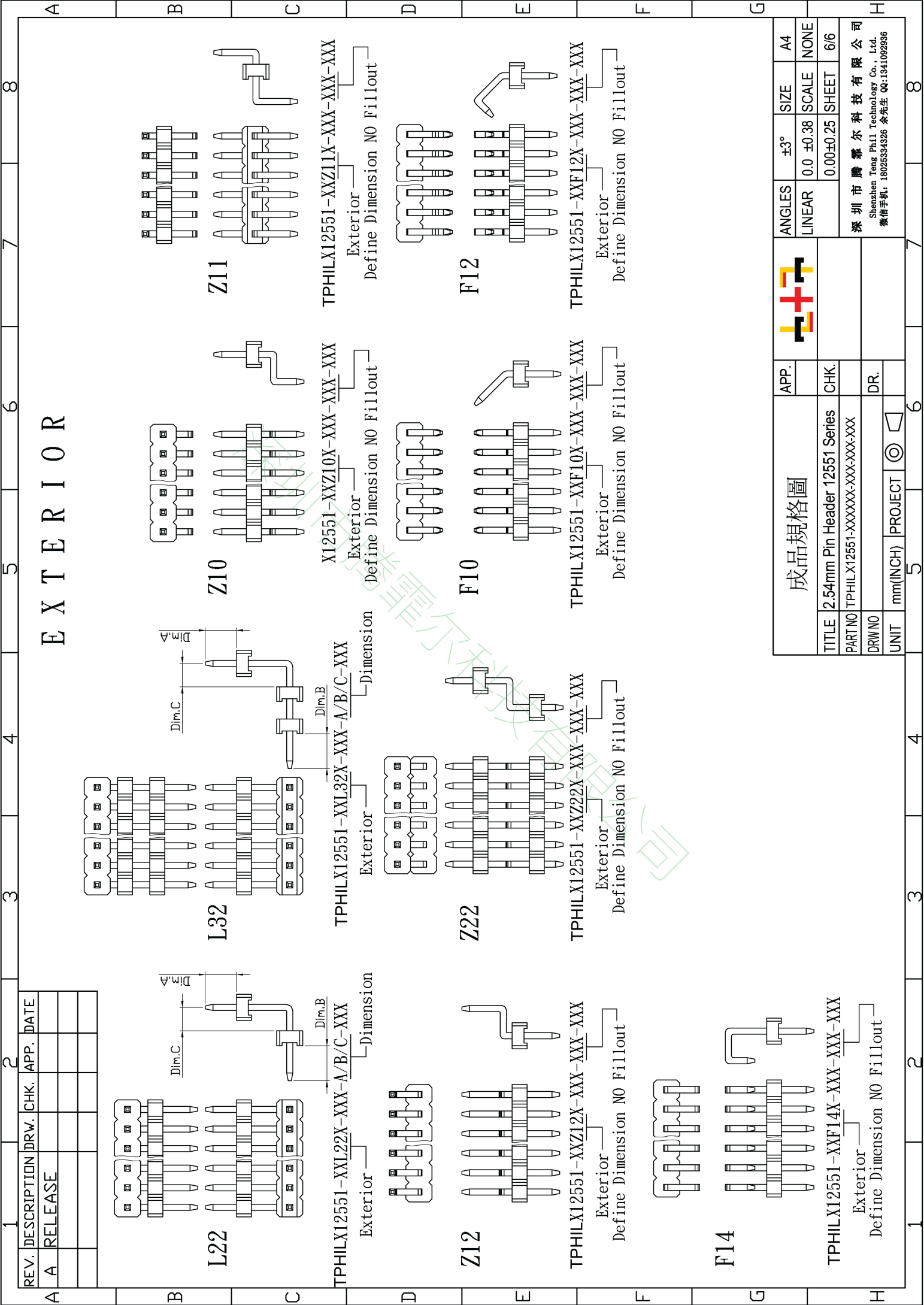
C27
 Exterior
 Dimension
 Dim.A

1 2 3 4 5 6 7 8

EXTERIOR

A B C D E F G H

1 2 3 4 5 6 7 8



EXTERIOR

REV.	DESCRIPTION	DRW.	CHK.	APP.	DATE
A	RELEASE				

成品規格圖		APP.	ANGLES	±3°	SIZE	A4
TITLE	2.54mm Pin Header 12551 Series	CHK.	LINEAR	0.0 ±0.38	SCALE	NONE
PART NO	TPHILX12551-XXXXXX-XXX-XXX-XXX			0.00±0.25	SHEET	6/6
DRW/NO		DR.				
UNIT	mm(INCH)	PROJECT				

深圳市騰暉爾科技有限公司
 Shenzhen Teng Phil Technology Co., Ltd.
 微信手机: 1802534626 余先生 QQ:1341092936