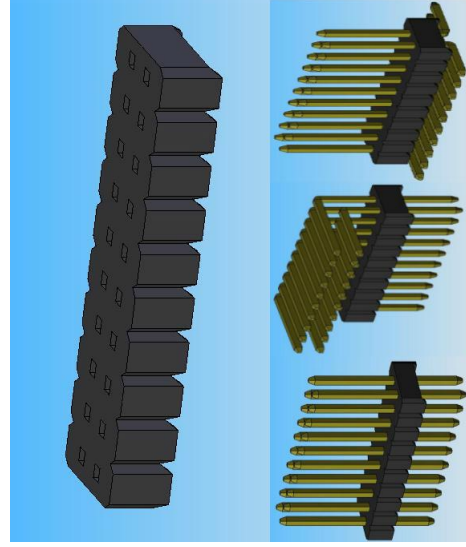


REV.	DESCRIPTION	DRW.	CHK.	APP.	DATE
A	RELEASE				

SPECIFICATIONS

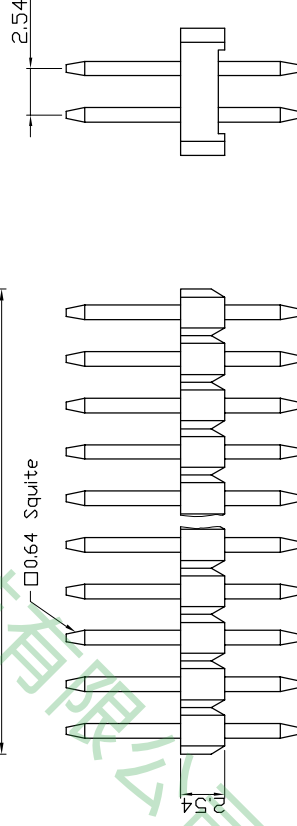
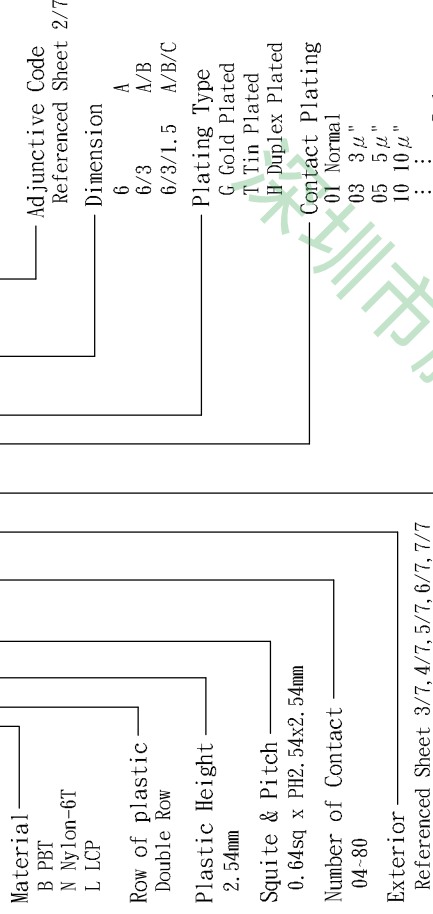
- Current Rating: 3 Amp
- Insulator resistance: 5000 Megohms Min.
- Contact resistance: 20 m ohms Max.
- Dielectric withstanding: AC 1000V/minute
- Operating Temperature: -40° ~ +105°C
- Contact Material: BRASS
- Insulator Material: High Temperature Thermoplastic +Glass Fibre UL94V-0
- Color: Black
- Finish: Gold, Tin or Duplex plated
- Standard: Gold flash all over
- Duplex plated:
- Gold plated on contact area
- Tin on solder area

RoHS Compliance



ORDERING INFORMATION


TPHILX22564-XXXXXX-XXX-XXX-XXX



示意图

Circuits	Dimension mm	
	L1	L2
2X2	2.54	5.08
2X3	5.08	7.62
2X4	7.62	10.16
2X5	10.16	12.70
2X6	12.70	15.24
2X7	15.24	17.78
2X8	17.78	20.32
2X9	20.32	22.86
2X10	22.86	25.40
2X11	25.40	27.94
2X12	27.94	30.48
2X13	30.48	33.02
2X14	33.02	35.56
2X15	35.56	38.10
2X16	38.10	40.64
2X17	40.64	43.18
2X18	43.18	45.72
2X19	45.72	48.26
2X20	48.26	50.80
2X21	50.80	53.34
2X22	53.34	55.88
2X23	55.88	58.42
2X24	58.42	60.96
2X25	60.96	63.50
2X26	63.50	66.04
2X27	66.04	68.58
2X28	68.58	71.12
2X29	71.12	73.66
2X30	73.66	76.20
2X31	76.20	78.74
2X32	78.74	81.28
2X33	81.28	83.82
2X34	83.82	86.36
2X35	86.36	88.90
2X36	88.90	91.44
2X37	91.44	93.98
2X38	93.98	96.52
2X39	96.52	99.06
2X40	99.06	101.60

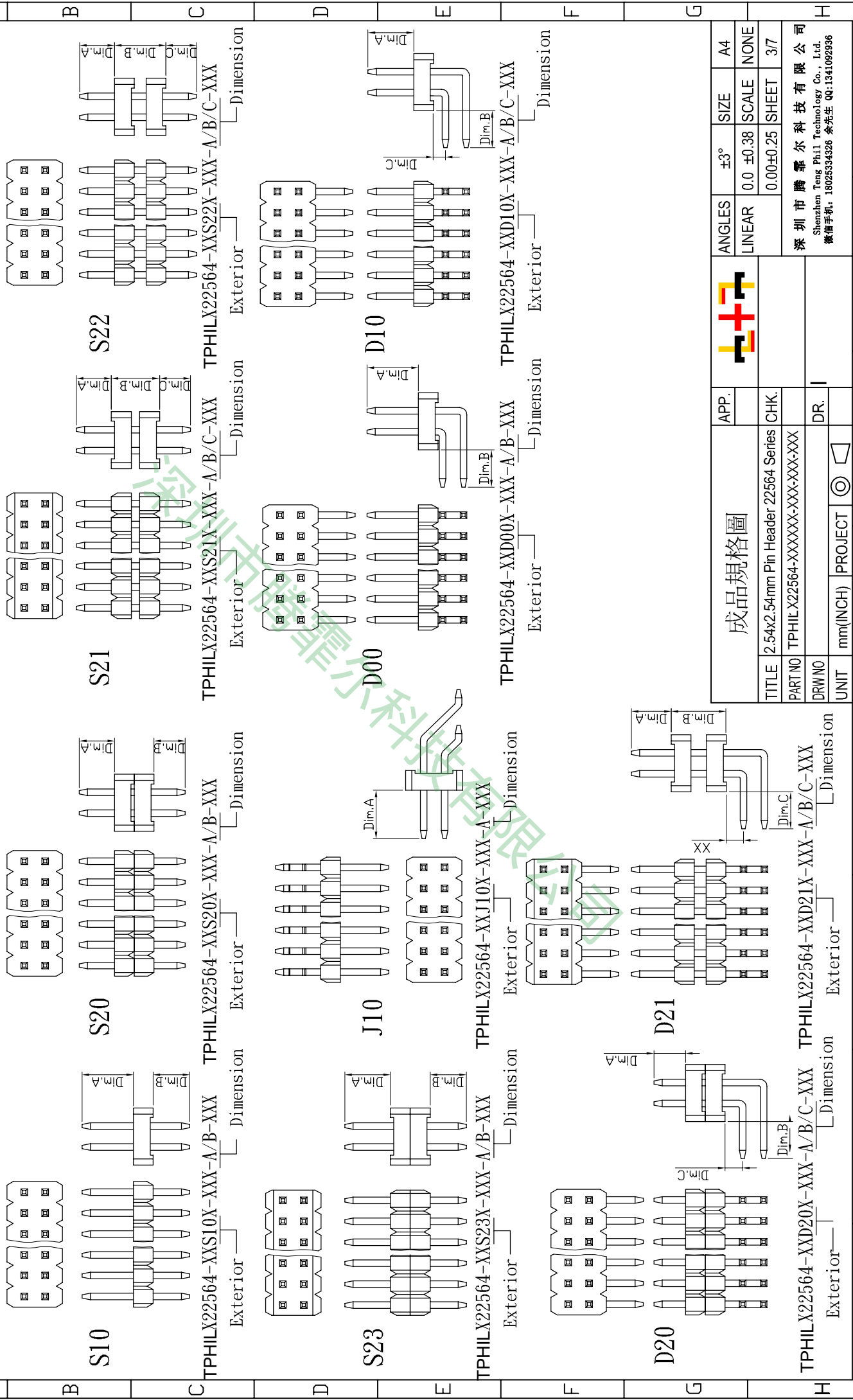
APP.	ANGLES	±3°	SIZE
成品规格图	LINEAR	0.0 ±0.38	A4
TITLE	2.54x2.54mm Pin Header 22564 Series	SCALE	NONE
PART NO	21X22564-XXXXXX-XXX-XXX-XXX	SHEET	1/7
DRW/NO			
UNIT	mm(INCH)	PROJECT	



 深圳市腾菲尔科技有限公司
 Shenzhen Teng Phil Technology Co., Ltd.
 微信手机: 1802534326 余先生 QQ: 1341092936

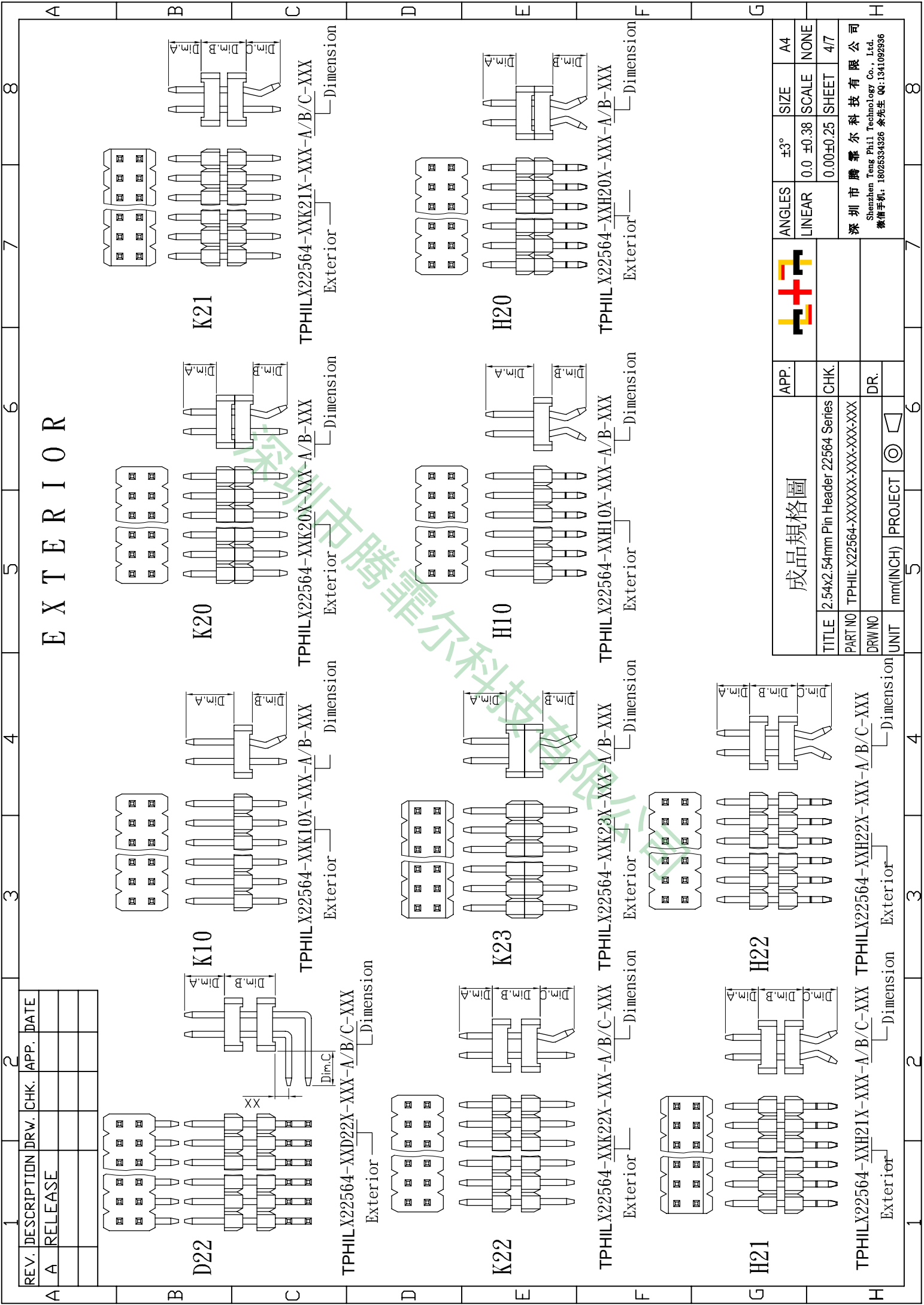
REV.	DESCRIPTION	DRW.	CHK.	APP.	DATE
A	RELEASE				

E X T E R I O R



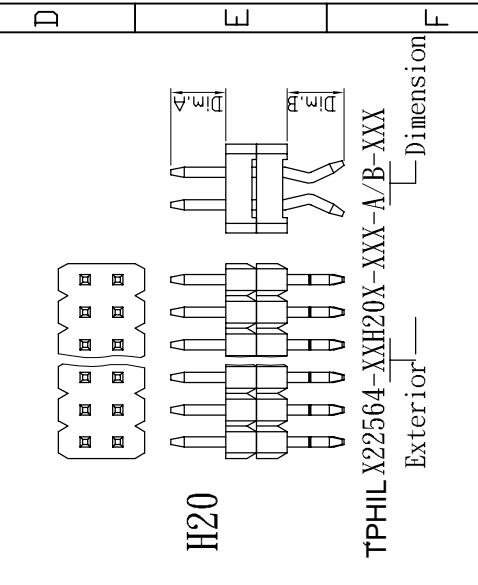
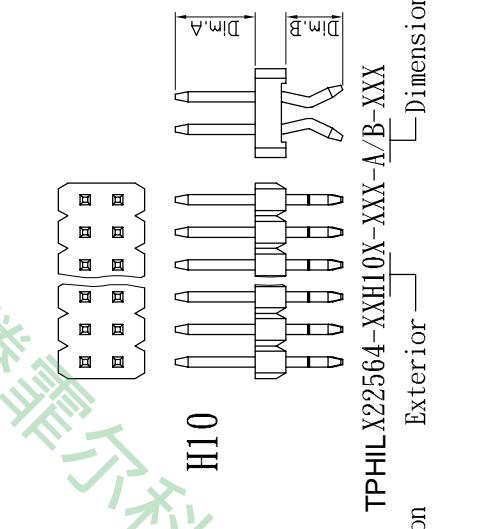
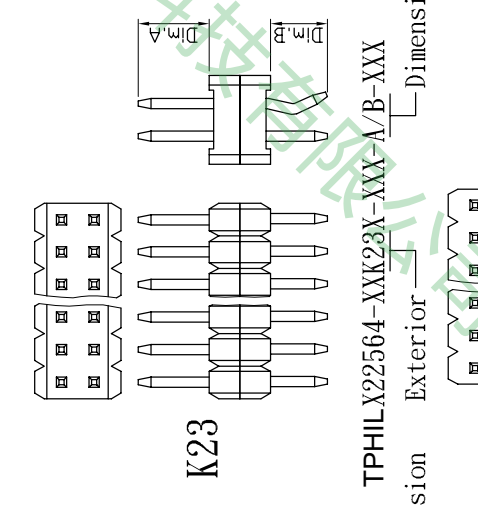
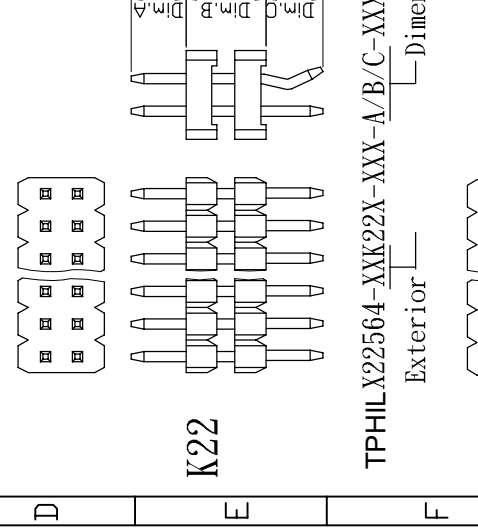
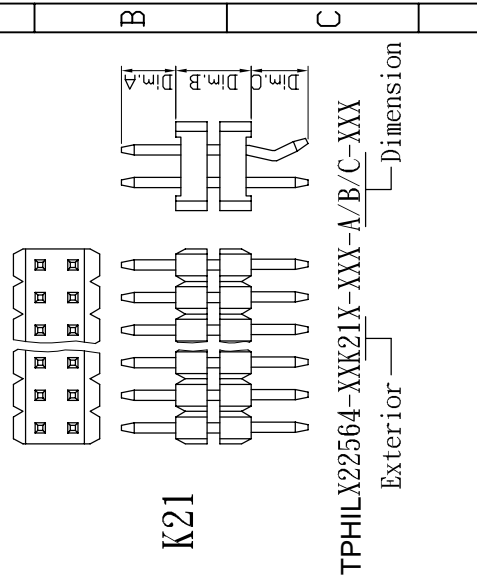
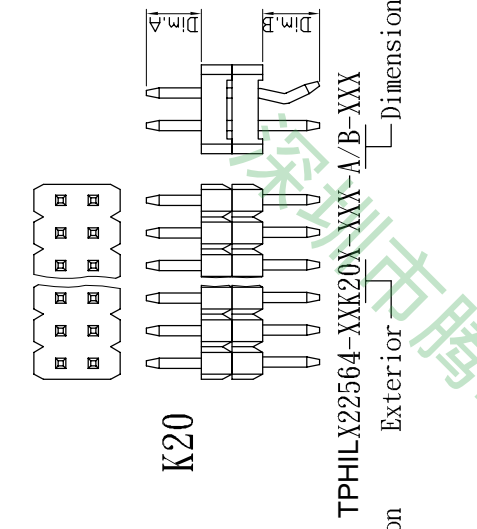
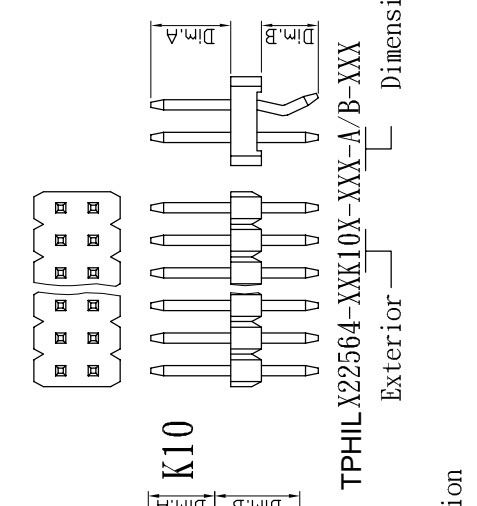
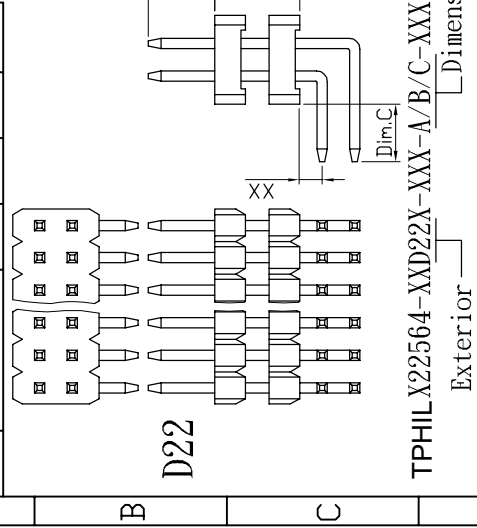
成品規格圖		APP.	ANGLES	±3°	SIZE	A4
		2.54x2.54mm Pin Header 22564 Series	LINEAR	0.0	±0.38	NONE
TITLE		TPHIL X22564-XXXXXX-XXX-XXX-XXX			0.00±0.25	3/7
PART NO		TPHIL X22564-XXXXXX-XXX-XXX-XXX				
DRW/NO		DR. I				
UNIT		mm(INCH)	PROJECT	◎		

深圳市騰暉爾科技有限公司
 Shenzhen Teng Phil. Technology Co., Ltd.
 微信手机: 1802534326 余先生 QQ: 134109596



EXTERIOR

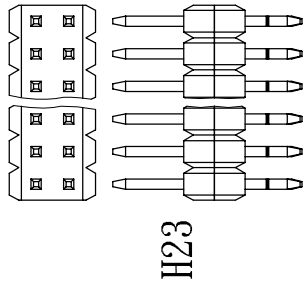
REV.	DESCRIPTION	DRW.	CHK.	APP.	DATE
A	RELEASE				



成品規格圖		APP.	ANGLES	±3°	SIZE	A4
TITLE	2.54x2.54mm Pin Header 22564 Series	CHK.	LINEAR	0.0 ±0.38	SCALE	NONE
PART NO	TPHIL X22564-XXXXXX-XXX-XXX-XXX			0.00±0.25	SHEET	4/7
DRW NO		DR.				
UNIT	mm(INCH)	PROJECT	深圳市騰暉爾科技有限公司 Shenzhen Teng Phil Technology Co., Ltd. 微信手机: 1802534326 余先生 QQ: 1341092936			

E X T E R I O R

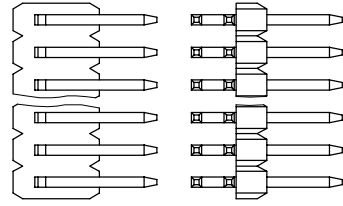
REV.	DESCRIPTION	DRW.	CHK.	APP.	DATE
A	RELEASE				



H23

TPHILX22564-XXH23X-XXX-A/B-XXX

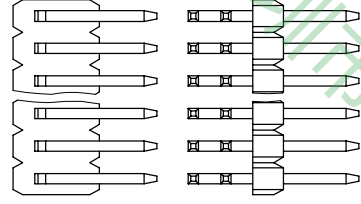
Exterior ——— Dimension



R00

TPHILX22564-XXR00X-XXX-A/B-XXX

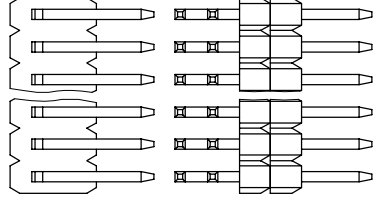
Exterior ——— Dimension



R10

TPHILX22564-XXR10X-XXX-A/B/C-XXX

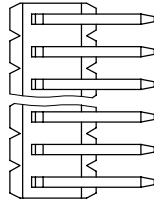
Exterior ——— Dimension



R20

TPHILX22564-XXR20X-XXX-A/B/C-XXX

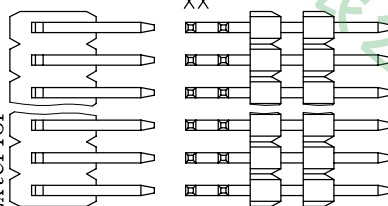
Exterior ——— Dimension



R21

TPHILX22564-XXR21X-XXX-A/B/C-XXX

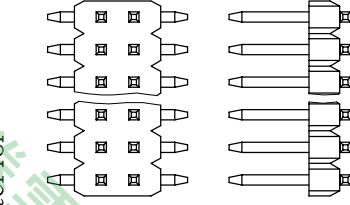
Exterior ——— Dimension



R22

TPHILX22564-XXR22X-XXX-A/B/C-XXX

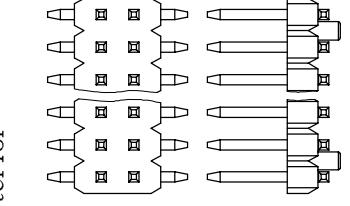
Exterior ——— Dimension



M00

TPHILX22564-XXM00X-XXX-A-XXX

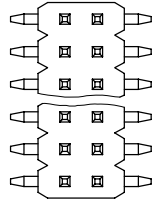
Exterior ——— Dimension



M0P

TPHILX22564-XXM0PX-XXX-A-XXX

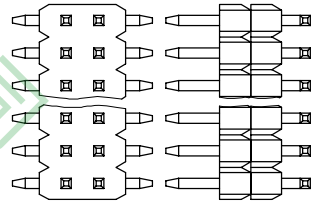
Exterior ——— Dimension



M10

TPHILX22564-XXM10X-XXX-A/B-XXX

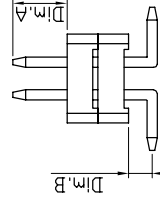
Exterior ——— Dimension



M20

TPHILX22564-XXM20X-XXX-A/B-XXX

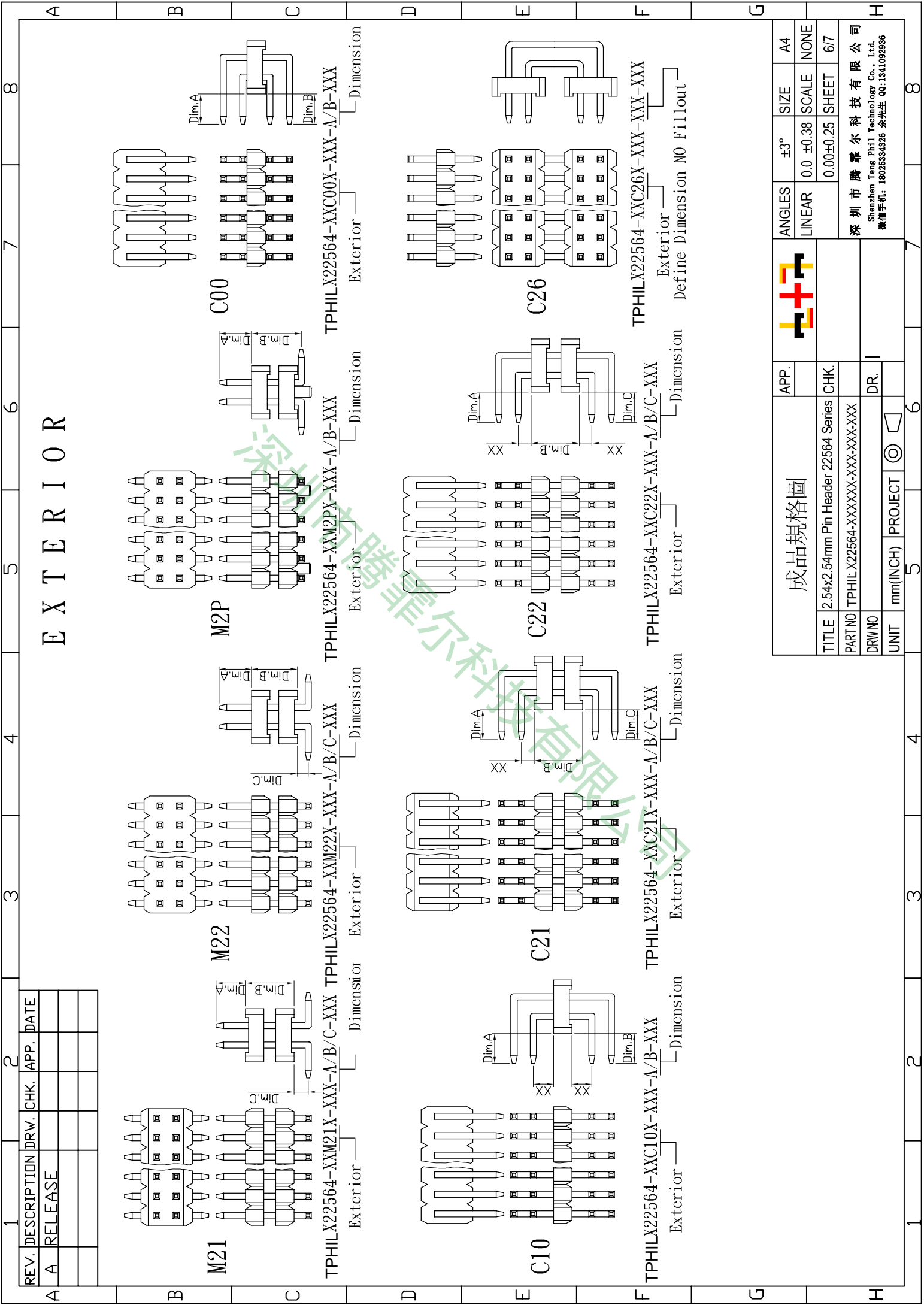
Exterior ——— Dimension



成品規格圖

APP.		ANGLES	±3°	SIZE	A4
TITLE	2.54x2.54mm Pin Header 22564 Series	LINEAR	0.0 ±0.38	SCALE	NONE
PART NO	TPHILX22564-XXXXXX-XXX-XXX-XXX		0.00±0.25	SHEET	5/7
DRW NO					
UNIT	mm(INCH)	PROJECT	◎		

深圳市騰菲爾科技有限公司
Shenzhen Teng Phil Technology Co., Ltd.
傳真手機: 18025354826 蔡先生 QQ: 1341092936



E X T E R I O R

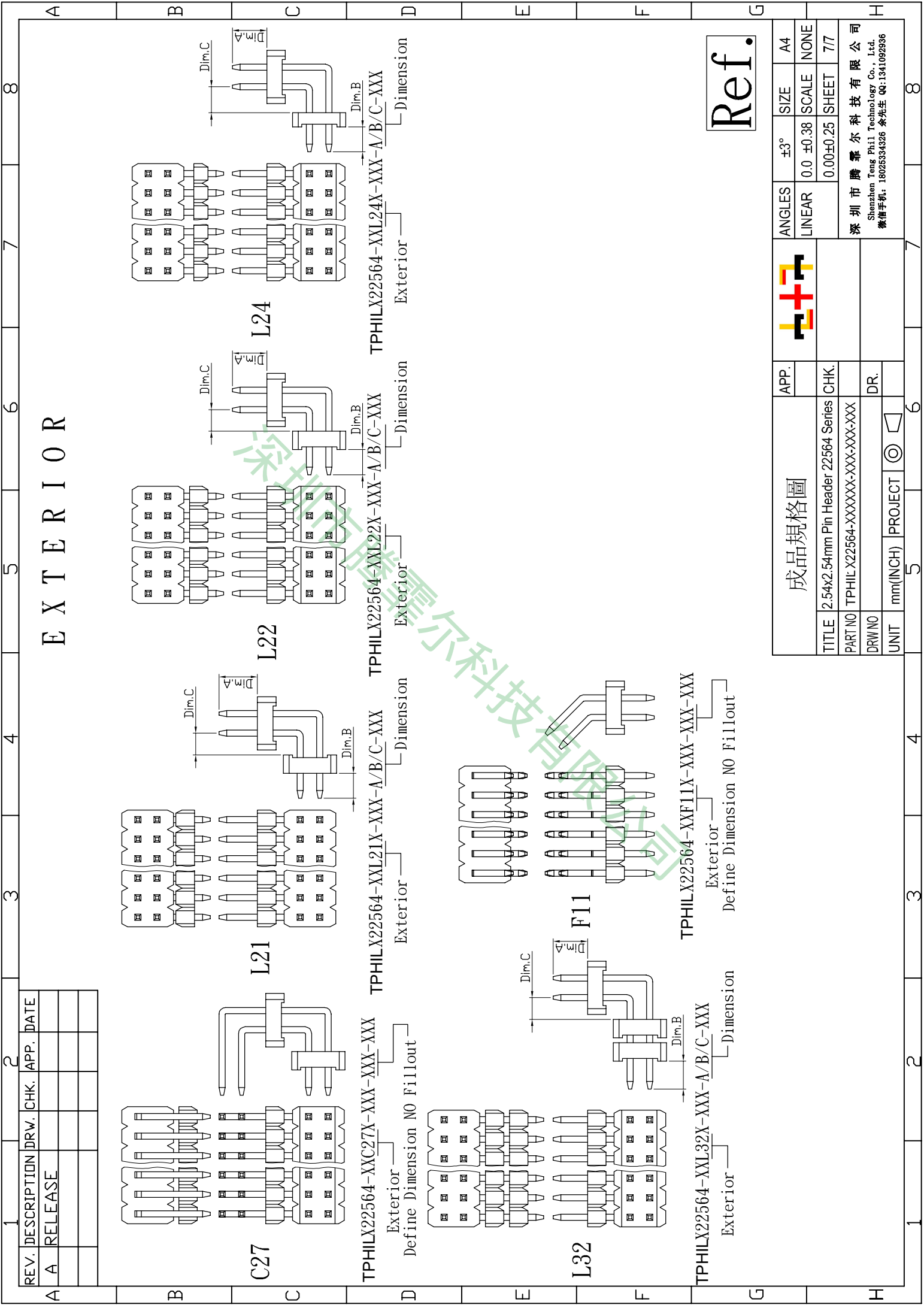
REV.	DESCRIPTION	DRW.	CHK.	APP.	DATE
A	RELEASE				

		ANGLES	±3°	SIZE	A4
		LINEAR	0.0 ±0.38	SCALE	NONE
成品規格圖		APP.			
TITLE	2.54x2.54mm Pin Header 22564 Series		CHK.		
PART NO	TPHILX22564-XXXXXX-A/B/C-XXX				
DRW/NO			DR.	I	
UNIT	mm(INCH)	PROJECT	◎		

深圳市腾菲尔科技有限公司
 Shenzhen Teng Phil Technology Co., Ltd.
 微信手机: 1802534328 余先生 QQ: 1341092936

1 2 3 4 5 6 7 8

A B C D E F G H



EXTERIOR

Ref.

REV.	DESCRIPTION	DRW.	CHK.	APP.	DATE
A	RELEASE				

成品規格圖		APP.	ANGLES	±3°	SIZE	A4
TITLE	2.54x2.54mm Pin Header 22564 Series	CHK.	LINEAR	0.0 ±0.38	SCALE	NONE
PART NO	TPHILX22564-XXXXXX-XXX-XXX-XXX			0.00±0.25	SHEET	7/7
DRW/NO		DR.				
UNIT	mm(INCH)	PROJECT				

深圳市騰菲爾科技有限公司
 Shenzhen Teng Phil Technology Co., Ltd.
 微信手机: 1802534326 余先生 QQ: 1341092936

