

CMRL/C recessed LED luminaire

Product introduction

Housing

Galvanized Steel, with RAL9016 white powder coated, optional SS316L

Diffuser

Translucent white pc

Electric

LED driver
110~240V, 50/60Hz
*Dimming driver is optional

Lumen output

LED 20W 1800lm
LED 40W 3700lm

Application area

IP44, for office, wheelhouse, stateroom, and etc.

Mounting

Recessed mounting

Entries

Two or four entry holes on back, with rubber grommet

Terminal block

6 pole 6mm² max

Ambient temp

-30 °C~+50 °C

Certificate

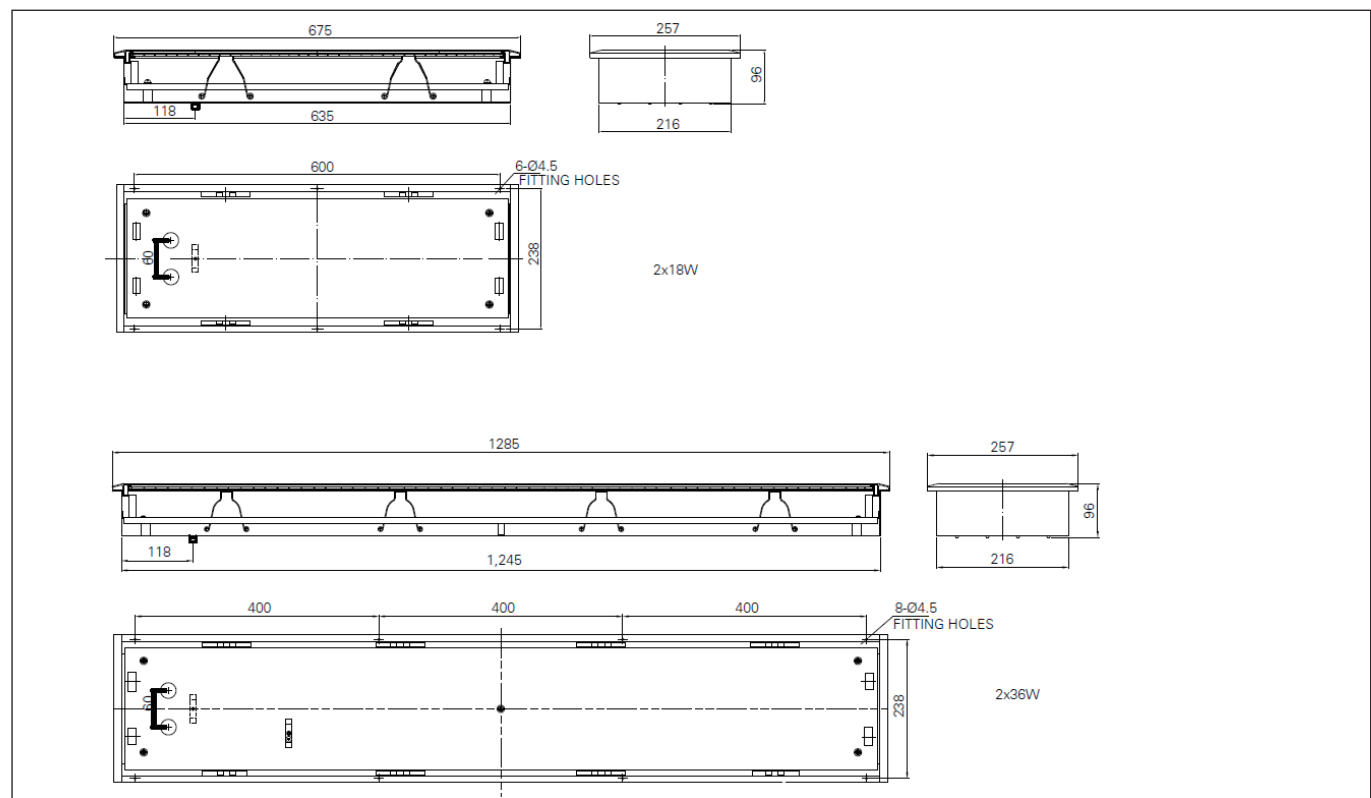
DNV



Ordering logic

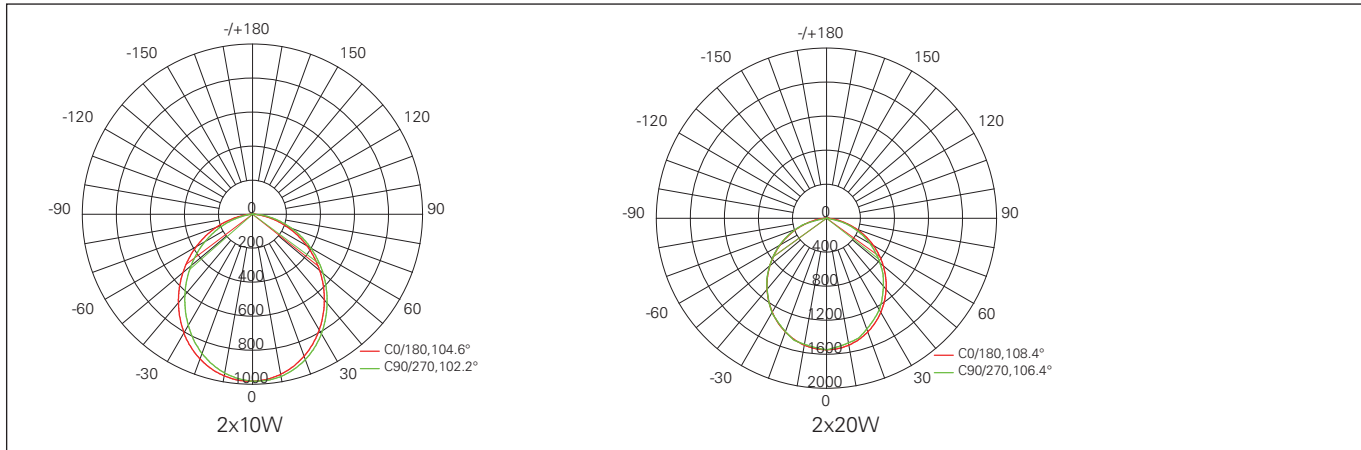
CMRL/C	-00	-210	-E	-EM	-20	-W
	Housing material	Wattage	Driver type	Emergency duration	Cable Entry	Color temperature
	00-Galvanized steel	210-2x10W 220-2x20W	E-110-240V 50/60Hz	EM-1.5hrs Backup EM3-3hrs Backup Default—non-emergency	20-Ø20.5 25-Ø25.5 entry holes with rubber grommet	Default-5000K W-3500K

Dimension



CMRL/C recessed LED luminaire

Polar curve



MSLL surface LED luminaire

Product introduction

Housing

Galvanized Steel, with RAL9016 white powder coated, optional SS316L

Diffuser

Clear PC

Electric

LED driver
110~240V, 50/60Hz
*Dimming driver is optional

Lumen output

LED 20W 2800lm
LED 40W 5550lm

Application area

IP66/67, for engine room, galley or other various

applications

Mounting

Surface mounting

Entries

Two entry holes on each end.

Terminal block

6 pole 6mm² max

Ambient temp

-30 °C~+50 °C*

Certificate

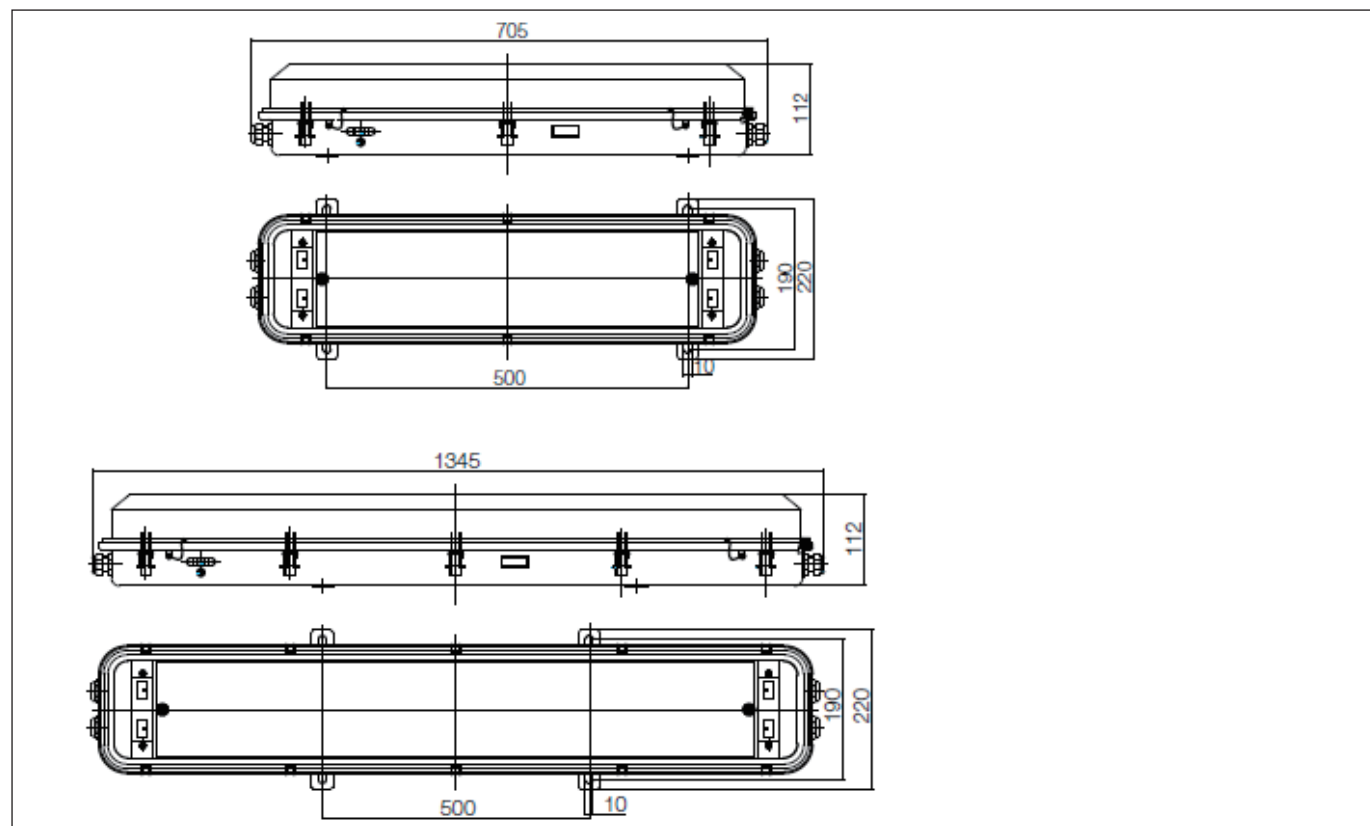
DNV



Ordering logic

MSLL	-00	-210	-E	-EM	-20	-W
	Housing material	Wattage	Driver type	Emergency duration	Cable entry	Color temperature
	00-Galvanized steel	210-2x10W 220-2x20W	E-110-240V 50/60Hz	EM-1.5hrs EM3-3hrs Default—non-emergency	20-Ø20.5 25-Ø25.5	Default-5000K W-3500K

Dimension



MSLL surface LED luminaire

Polar curve

