



工业鼓风机的制造与研发

采用欧标高效电机 拥有CE CCC 能效认证

环形鼓风机/透浦式鼓风机/防爆鼓风机/工业集尘机

Side channel vacuum pump/compressor/blower/Industrial dust collection machine

创新-发展-节能-环保



官方网站



阿里巴巴网站

全国统一服务热线：
400-600-6180

制造商：上海全风实业有限公司
电话：0086-021-33502971 33502951
传真：0086-021-33588692
网址：www.shquanfeng.com
地址：上海市松江区九亭镇虬泾路389弄103号
生产厂：江苏全风环保科技有限公司
电话：0086-0510-81612032 81612056
传真：0086-0510-81612056
网址：www.jsqfkj.cn
地址：江苏省无锡市青阳工业园润阳路8号
华东区：上海与鑫机电科技有限公司
电话：0086-021-33502971 33502951
传真：0086-021-33588692
网址：www.twyxsh.com
华北区：北京全风机电设备有限公司
电话：0086-010-59406010 59496011
传真：0086-010-87660057
网址：www.bjtwyx.com

Manufacturer : Shanghai Quanfeng Industry Co., Ltd.
TEL : 0086-021-33502971 33502951
FAX : 0086-021-33588692
ADDR:No.103, no.389, qiuqing road, jiuting town, songjiang district, Shanghai, China
Manufacturing plant : Jiangsu Quanfeng environmental protection technology Co., Ltd.
TEL : 0086-0510-81612032 81612056
FAX : 0086-0510-81612056
ADDR: No.8,runyang road,qingyang industrialpark,wuxi city,JS,China
East China : Shanghai Yuxin Electrical and Mechanical Technology Co., Ltd.
TEL : 0086-021-33502971 33502951
FAX : 0086-021-33588692
North China : Beijing Quanfeng Electromechanical Equipment Co., Ltd.
TEL : 0086-010-59496010 59496011
FAX : 0086-010-87660057

江苏全风环保科技有限公司

JIANGSU QUANFENG ENVIRONMENTAL PROTECTION TECHNOLOGY CO., LTD

COMPANY PROFILE

企业简介



江苏全风环保科技有限公司是一家专业从事空气流体设备、环保设备（压缩、真空）生产及销售一体化的现代化企业，通过多年的发展，公司形成了以高压风机为主，其他空气流体设备（真空泵和鼓风机）为辅，集研发、生产、销售、服务于一体的发展格局，并立志成为国内该行业领域的龙头企业。

在“以服务求生存，以质量求发展，诚信为本，实现共赢”的经营理念下。我们凭借专业的生产技术、一流的生产设备、先进的管理模式，竭诚为客户提供优质、高效、节能的全系列高压风机产品。为了实现了产品生产的标准化及一致性，我司引进配备了大批优尼斯（i5全智能数控机床）数控车削中心及大型加工中心、卧式动平衡机、自动烘漆流水线等高科技含量的生产及检测设备。为了与欧洲发达国家的产品接轨，我司所有系列产品均按照宽电压、宽频率的欧洲标准所设计。每年都有数以万计的产品出口到欧洲，美洲，澳洲，中东，东南亚等数十个国家，产品享誉全球。

为了尽可能的满足客户需求，我司可以根据客户要求，定制特殊规格（防腐、防爆、耐高温等）的高品质产品，以便为客户提供更好的服务。

好的产品，好的服务，好的信誉，江苏全风环保科技有限公司在燃料机、上料机、吹塑机以及污水处理等众多行业取得了辉煌成绩，完成众多大型环保设备的配套服务，也愿意成为您最可信赖的长期合作伙伴。



Jiangsu Quanfeng Environmental Protection Technology Co., Ltd. is a professional engaged in air fluid equipment, environmental protection equipment (compression, vacuum) the integration of production and sales of the modern enterprise, through years of development, the company has formed a high pressure fan and other air fluid equipment (vacuum pumps and blowers) subsidiary, R & D, production, development pattern sales and service in one, and determined to become the leading enterprise in the field of domestic industry.

In the "service for survival, quality and development, honesty, and achieve win-win" business philosophy. We rely on professional production technology, first-class production equipment, advanced management mode, dedicated to provide customers with high quality, efficient, energy-saving series of high-pressure fan products. In order to realize product standardization and consistency, I Secretary for the introduction of a large number of seanoble (equipped with i5 intelligent CNC machine) production and testing equipment of CNC turning center and large machining center, horizontal dynamic balancing machine, automatic baking line and other high-tech. In order to conform to the products of developed countries in Europe, all our products are designed according to the European standards of wide voltage and wide frequency. Every year tens of thousands of products exported to Europe, America, Australia, the Middle East, Southeast Asia and dozens of countries, products world-renowned.

In order to meet the needs of customers as much as possible, we can tailor the special specifications (corrosion protection, explosion protection, high temperature resistance, etc.) of high quality products according to customer's requirements, so as to provide better service for our customers.

Good products, good service, good reputation, Jiangsu Quanfeng environmental protection science and technology limited company in the fuel machine, feeding machine, blow molding machine, sewage treatment and other industries has made brilliant achievements, complete a number of major environmental protection equipment supporting services, is willing to become your most reliable long-term partner.

CORPORATE CULTURE 企业文化

经营理念 MANAGEMENT IDEA

以质量求生存，以创新求发展，诚信为本，实现共赢
To the quality of survival, innovation and development, honesty, and achieve win-win situation

质量方针 QUALITY POLICY

以精立业，以质取胜，客户满意是企业永恒的追求
With the essence of enterprise, quality, customer satisfaction is the eternal pursuit of enterprises

公司宗旨 COMPANY TENET

以人才和技术为基础，创造最佳产品和服务
Create the best products and services on the basis of talent and technology

企业精神 ENTERPRISE SPIRIT

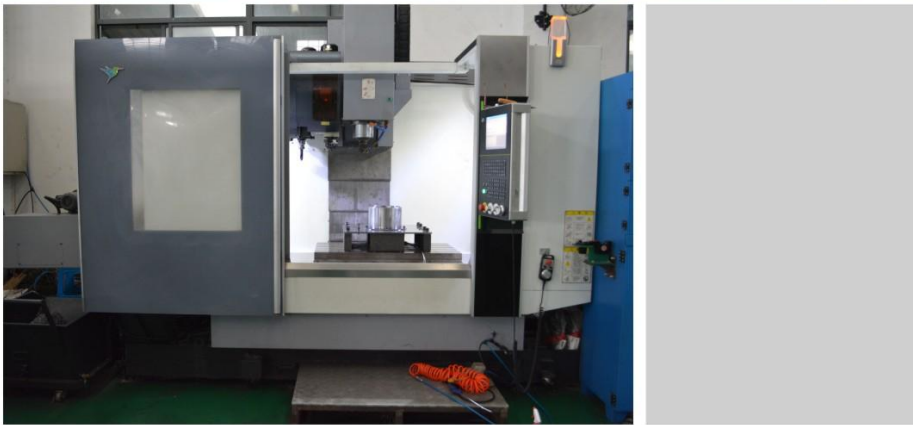
团结、创新、诚信、共赢
Unity, innovation, honesty and win-win

QUALIFICATION CERTIFICATE 资质证书

携手共创
美好明天



PRODUCTION EQUIPMENT 生产设备



以技术为先锋，以优质做保证
To technology as a pioneer quality assurance

产品质量取源于制造手段的先进、精品意识源于不断的创新。本公司拥有先进的设备及检测仪器,精良的工艺以及严格完善的质量管理体系。优良的生产环境,科学的现场管理,造就出了优质的产品。

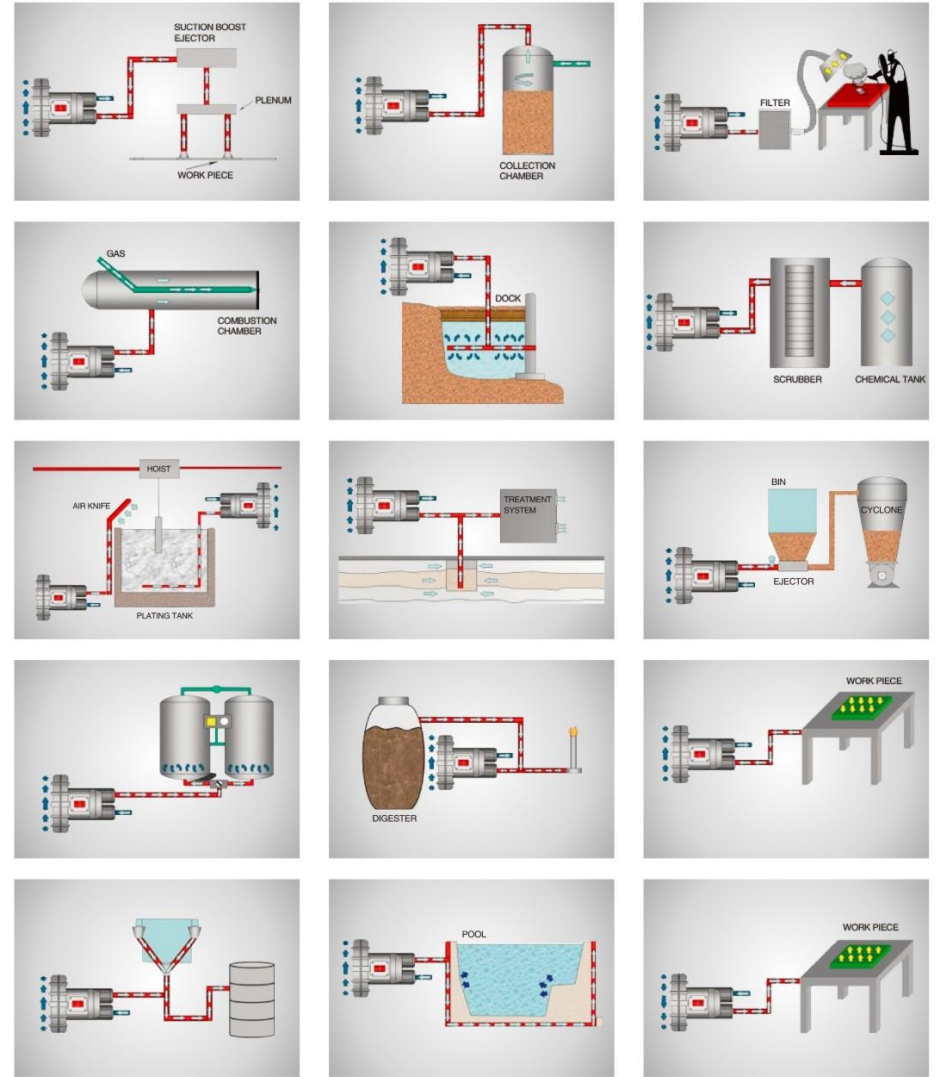
Product quality is derived from the amount of advanced manufacturing tools, quality awareness from the continuous innovation. The company has advanced equipment and testing equipment, sophisticated technology and strict quality management system. Good production environment, scientific field management, to create a quality products.



应用案例 APPLICATION CASE



应用案例 APPLICATION CASE



用途 Applications

- ★ 印刷机械
Printing Machines
- ★ 环境机械
Dust Collectors
- ★ 燃烧机
Burning Machines
- ★ 热风发生机
Textile Machines
- ★ 塑胶挤出机、吹袋机淋膜机
Plastic Extruders, Laminating, Film Making Machines
- ★ 粒粒体输送
Pollution Machines
- ★ 制果机械
Uniform Temperature Equipment
- ★ 厨房机械
Hot Air Blowers
- ★ 集尘机
Household Machines
- ★ 木工机械
Dryers Machines
- ★ 干燥剂
Incinerators
- ★ 机械冷却
Woodworking Machines
- ★ 焚化炉
Machinery for the Food and Beverage Industries
- ★ 一般送风
Grain elevators
- ★ 恒温箱
Machinery for Cooling

特点 FEATURES

- 高压·大流量·低噪音·轻量化
- 采用铝合金材质，大幅降低重量，达到轻量化的目的。
- 马达为I.E.C.设计（1HP以上），全闭外扇型铝框马达，特殊轴心设计，可适合长时间使用。
- 特殊叶片设计，压力高，风量大，噪音低，寿命长。
- 特殊风量调节风门，风量控制稳定性高，操作容易（CX.TB.HTB适用）。
- 样式种类齐全，库存多，交货迅速。
- High pressure · Larger flow · Light weight
- Aluminum alloy material was Widespread be use, offer light products.
- I. E. C. Designed motor (1HP UP), Squirrel Cage Induction Motors & specially designated shaft can satisfy long-time-continue operation.
- Professional impeller designed, high pressure, larger flow · low noise · and long life.
- Special air-flow-adjust designs offer stable flows and easily control.
- Full range styles and sufficiently finished products of each model make quickly delivery be possible.



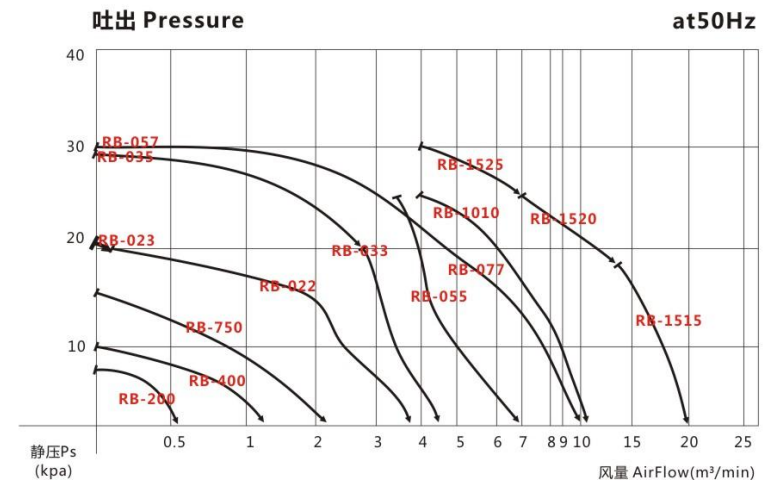
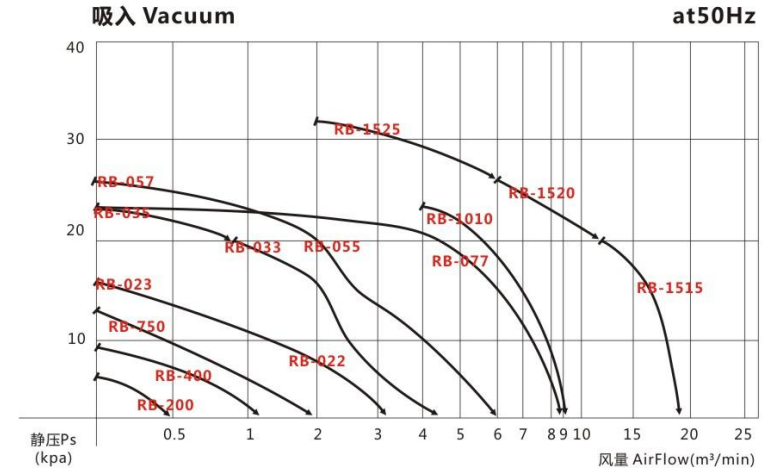
目录 CONTENTS

01-05	RB-环形鼓风机
06-08	CX-A透浦式中压鼓风机
09-12	CX-透浦式中压鼓风机
13-14	CX-H耐高温中压鼓风机
15-17	TB-透浦式中压鼓风机
18-21	HTB-透浦多段式鼓风机
22-23	PF-直叶式鼓风机
24-26	MS/FMS离心鼓风机
27-32	FB-隔爆型环形鼓风机
33-34	FX-A防爆型中压鼓风机
35-38	FX-防爆中压鼓风机
39-41	FT-防爆型中压鼓风机

RB-环形鼓风机
RB-Ring Blower (Side Channel Blower)

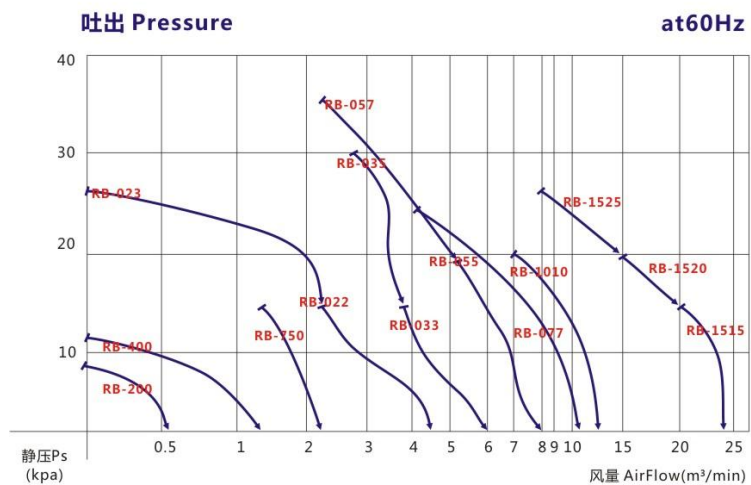
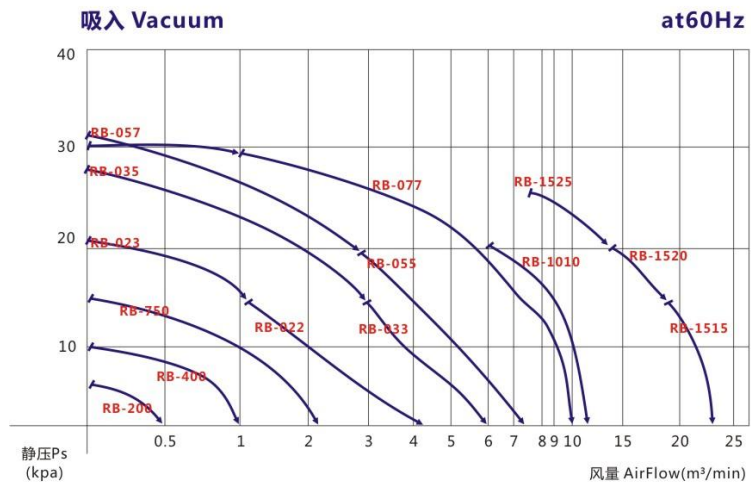
型号	频率	功率	额定电压	额定电流	最大流量	额定真空	额定压力	噪音	出入口径
TYPE	Frequency	Power	Rated Voltage	Rated Current	Air Flow(max)	Rated Pressure	Rated Pressure	Noise Level	In/Out Let
	Hz	Kw	V	A	m ³ /min	Kpa	Kpa	dB(A)	Let
RB-200AS	50	0.2	220-240V	0.92	0.6	-6	7	60	PF 1.25"
	60	0.23	220-240V	1.7	0.6	-7	9	65	
RB-200	50	0.2	200-240Δ/345-415Y	0.91Δ/0.53Y	0.6	-6	7	60	PF 1.25"
	60	0.23	220-275Δ/380-480Y	1.69Δ/0.98Y	0.6	-7	9	65	
RB-400AS	50	0.4	220-240V	1.7	1.3	-9	10	65	PF 1.25"
	60	0.5	220-240V	2.5	1.3	-10	12	68	
RB-400	50	0.4	200-240Δ/345-415Y	1.66Δ/0.96Y	1.3	-9	10	65	PF 1.25"
	60	0.5	220-275Δ/380-480Y	2.5Δ/1.46Y	1.3	-10	12	68	
RB-750AS	50	0.75	220-240V	3	2	-13	16	67	PF 1.5"
	60	0.83	220-240V	3.98	2.5	-14	15	72	
RB-750	50	0.75	200-240Δ/345-415Y	2.99Δ/1.73Y	2	-13	16	67	PF 1.5"
	60	0.83	220-275Δ/380-480Y	3.97Δ/2.3Y	2.5	-14	15	72	
RB-022S	50	1.5	220-240V	5.7	3.2	-17	18	70	PF 2"
	60	1.75	220-240V	7.1	4.5	-14	15	75	
RB-022	50	1.5	200-240Δ/345-415Y	5.7Δ/3.3Y	3.2	-17	18	70	PF 2"
	60	1.75	220-275Δ/380-480Y	7Δ/4.1Y	4.5	-14	15	75	
RB-023	50	2.2	200-240Δ/345-415Y	8Δ/4.62Y	3.2	-18	21	70	PF 2"
	60	2.55	220-275Δ/380-480Y	9Δ/5.20Y	4.5	-21	25	75	
RB-033S	50	2.2	220-240V	8.1	5	-20	20	70	PF 2"
	60	2.55	220-240V	9.5	6	-15	15	78	
RB-033	50	2.2	200-240Δ/345-415Y	8.1Δ/4.7Y	5	-20	20	70	PF 2"
	60	2.55	220-275Δ/380-480Y	9.5Δ/5.5Y	6	-15	15	78	
RB-035	50	4	345-415Δ/600-720Y	8Δ/4.62Y	5	-22	29	70	PF 2"
	60	4.6	380-480Δ/660-720Y	9Δ/5.20Y	6	-28	30	78	
RB-055	50	4	345-415Δ/600-720Y	8Δ/4.62Y	7	-22	24	77	PF 2"
	60	4.6	380-480Δ/660-720Y	9Δ/5.20Y	7.5	-22	21	80	
RB-057	50	5.5	345-415Δ/600-720Y	10.9Δ/6.3Y	7	-26	30	80	PF 2"
	60	6.3	380-480Δ/660-720Y	12Δ/6.94Y	7.5	-30	34	80	
RB-077	50	5.5	345-415Δ/600-720Y	10.9Δ/6.3Y	10	-23	30	80	PF 2.5"
	60	6.3	380-480Δ/660-720Y	12Δ/6.94Y	11	-28	25	85	
RB-1010	50	7.5	345-415Δ/600-720Y	14.7Δ/8.5Y	10	-21	23	80	PF 2.5"
	60	8.6	380-480Δ/660-720Y	15.8Δ/9.13Y	12	-19	19	85	
RB-1515	50	11	345-415Δ/600-720Y	24.5Δ/14.2Y	19	-20	18	90	PF 4"
	60	12.6	380-480Δ/660-720Y	25.7Δ/15Y	24	-15	15	105	
RB-1520	50	15	345-415Δ/600-720Y	33Δ/19Y	19	-26	24	90	PF 4"
	60	17.3	380-480Δ/660-720Y	34.2Δ/19.7Y	24	-20	20	105	
RB-1525	50	18.5	345-415Δ/600-720Y	40.2Δ/23.2Y	19	-32	30	90	PF 4"
	60	21.3	380-480Δ/660-720Y	42Δ/24.2Y	24	-25	25	105	

RB性能曲线表 PERFORMANCE CHART

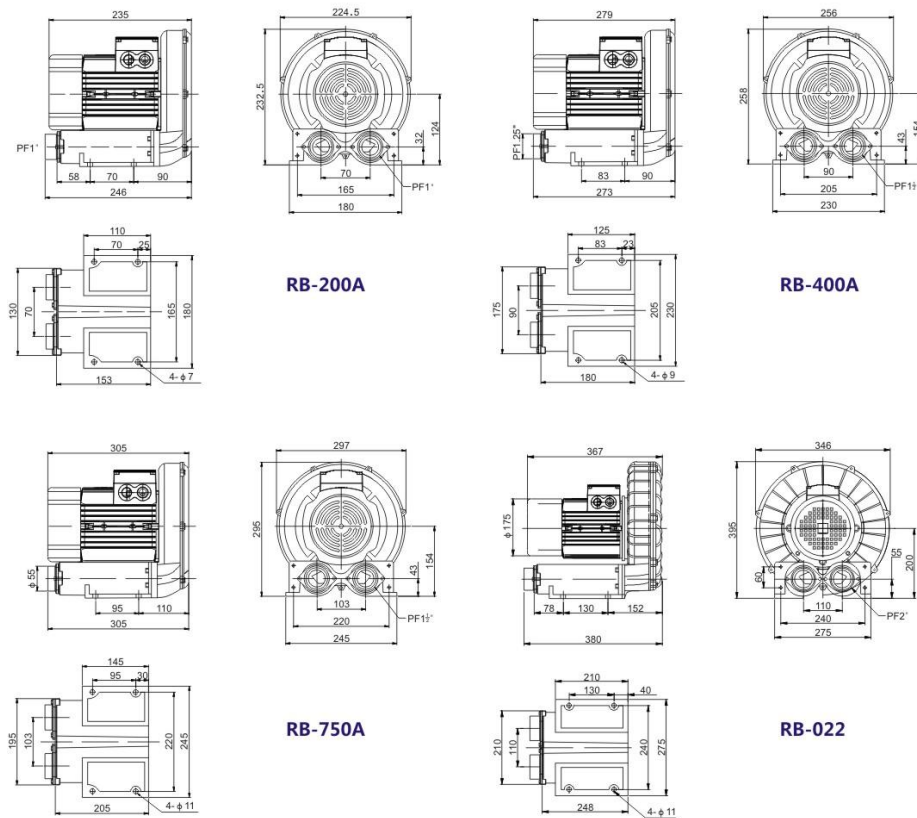


RB-环形鼓风机

RB性能曲线表 PERFORMANCE CHART



RB尺寸图 DIMENSION(MM)



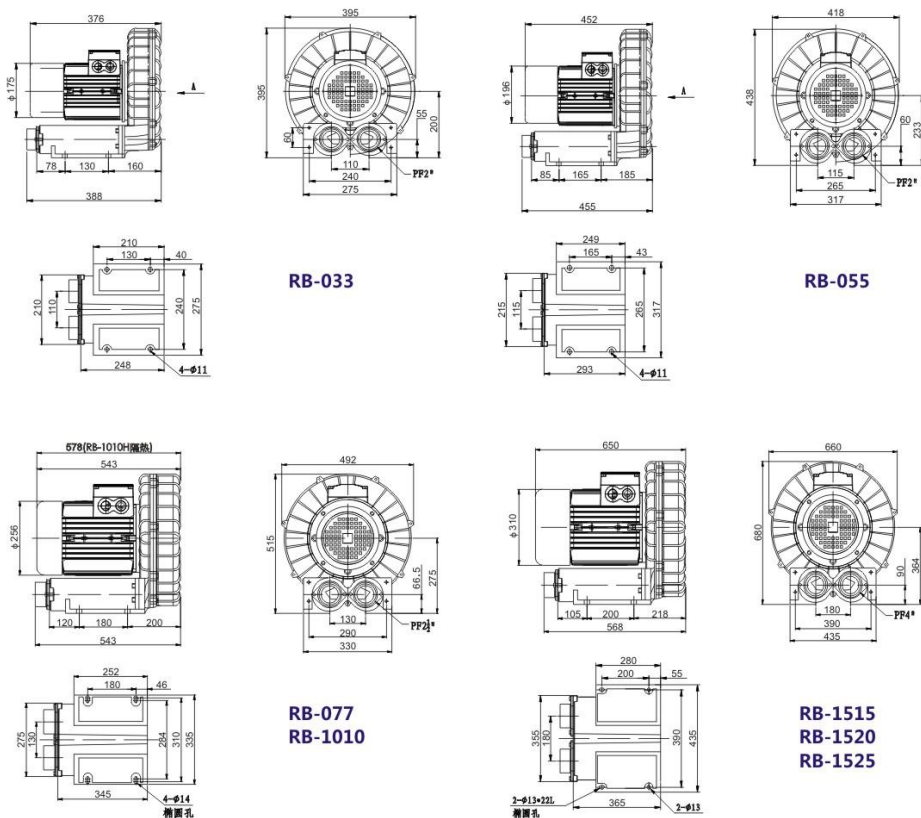
RB-077



RB-750A

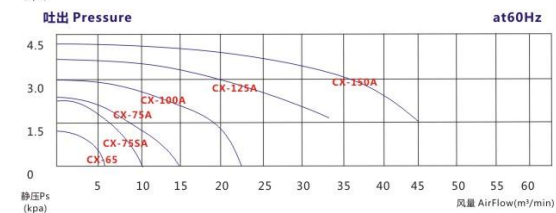
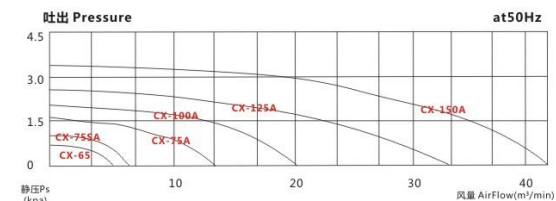
RB-环形鼓风机

RB尺寸图 DIMENSION(MM)

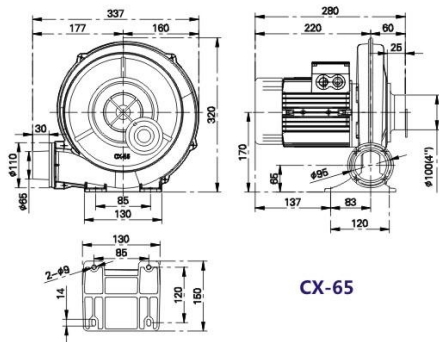


CX-A透浦式鼓风机性能曲线表

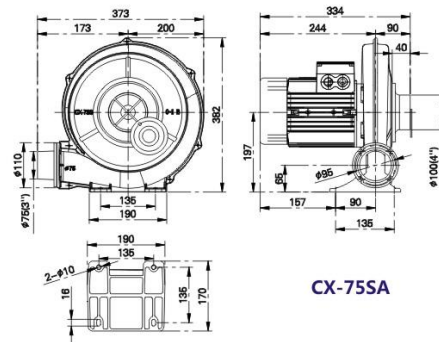
型号	频率	功率	额定电压	额定电流	最大流量	额定压力	噪音	吸出风口口径
TYPE	Frequency	Power	Rated Voltage	Rated Current	Air Flow(max)	Rated Pressure	Noise Level	In/Out
	Hz	Kw	V	A	m ³ /min	Kpa	dB(A)	Let
CX-65-AC	50	0.2	220-240V	0.92	4.5	0.7	50	IN 100 OUT 65
	60	0.28	220-240V	1.7	5.3	1.1	62	
CX-65	50	0.2	200-240~/345-415Y	0.91Δ/0.53Y	4.5	0.7	50	IN 100 OUT 65
	60	0.28	220-275~/380-480Y	1.69Δ/0.98Y	5.3	1.1	62	
CX-75SA-AC	50	0.4	220-240V	1.7	7	1.1	56	IN 100 OUT 75
	60	0.5	220-240V	2.5	8	1.6	70	
CX-75SA	50	0.4	200-240~/345-415Y	1.66Δ/0.96Y	7	1.1	56	IN 100 OUT 75
	60	0.5	220-275~/380-480Y	2.5Δ/1.46Y	8	1.6	70	
CX-75A-AC	50	0.75	220-240V	3	13	1.7	64	IN 125 OUT 100
	60	0.83	220-240V	3.98	15	2.4	80	
CX-75A	50	0.75	200-240~/345-415Y	2.99Δ/1.73Y	13	1.7	64	IN 125 OUT 100
	60	0.83	220-275~/380-480Y	3.97~/2.3Y	15	2.4	80	
CX-100A-AC	50	1.5	220-240V	5.7	20	2	74	IN 125 OUT 100
	60	1.75	220-240V	7.1	23	3	90	
CX-100A	50	1.5	200-240~/345-415Y	5.7~/3.3Y	20	2	74	IN 125 OUT 100
	60	1.75	220-275~/380-480Y	7~/4.1Y	23	3	90	
CX-125A	50	2.2	200-240~/345-415Y	8.1~/4.7Y	32	2.4	76	IN 252 OUT 125
	60	2.55	220-275~/380-480Y	9.5~/5.5Y	37	3.7	95	
CX-150A	50	4	345-415~/ 600-720Y	8~/4.62Y	46	3.2	80	IN 252 OUT 150
	60	4.6	380-480~/ 660-720Y	9~/5.20Y	53	4.4	100	



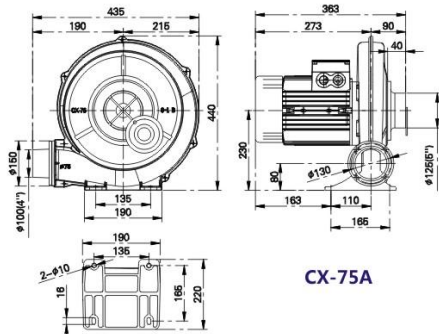
CX-A尺寸图 DIMENSION(MM)



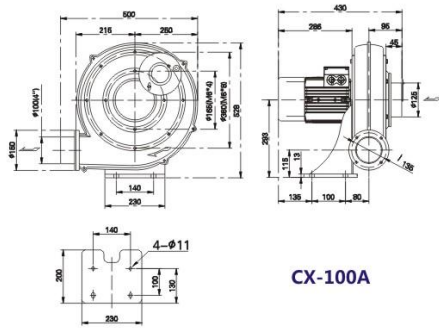
CX-65



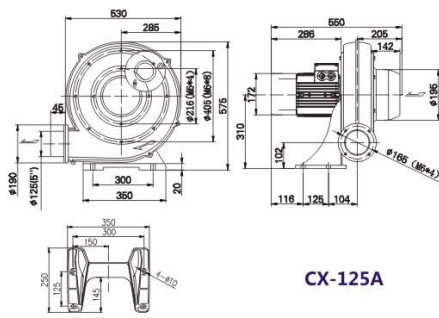
CX-75SA



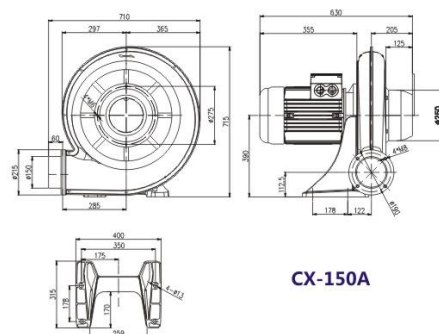
CX-75A



CX-100A



CX-125A



CX-150A



CX-75A



CX-125A



CX-100AH



CX-100A

CX-A-透浦式中压鼓风机

CX-透浦式中压鼓风机
CX-Turbo Blower (Centrifugal Blower)

型号 TYPE	频率 Frequency	功率 Power	额定电压 Rated Voltage	额定电流 Rated Current	最大流量 Air Flow(max)	额定压力 Rated Pressure	噪音 Noise Level	吸出风口口径 In/Out Lef
	Hz	Kw	V	A	m ³ /min	Kpa	dB(A)	mm
CX-1/4S-AC	50	0.2	220-240V	0.92	2.2	0.9	50	IN 100 OUT 65
	60	0.28	220-240V	1.7	3.4	1.2	62	
CX-1/4	50	0.2	200-240Δ/345-415Y	0.91Δ/0.53Y	2.2	0.9	50	IN 100 OUT 65
	60	0.28	220-275Δ/380-480Y	1.69Δ/0.98Y	3.4	1.2	62	
CX-75S-AC	50	0.4	220-240V	1.7	6	1.3	56	IN 100 OUT 75
	60	0.5	220-240V	2.5	8	1.5	70	
CX-75S	50	0.4	200-240Δ/345-415Y	1.66Δ/0.96Y	6	1.3	56	IN 100 OUT 75
	60	0.5	220-275Δ/380-480Y	2.5Δ/1.46Y	8	1.5	70	
CX-75-AC	50	0.75	220-240V	3	16	1.9	64	IN 125 OUT 100
	60	0.83	220-240V	3.98	18	2.7	80	
CX-75	50	0.75	200-240Δ/345-415Y	2.99Δ/1.73Y	16	1.9	64	IN 125 OUT 100
	60	0.83	220-275Δ/380-480Y	3.97Δ/2.3Y	18	2.7	80	
CX-100-AC	50	1.5	220-240V	5.7	18	2.1	74	IN 125 OUT 100
	60	1.75	220-240V	7.1	22	3.2	90	
CX-100	50	1.5	200-240Δ/345-415Y	5.7Δ/3.3Y	18	2.1	74	IN 125 OUT 100
	60	1.75	220-275Δ/380-480Y	7Δ/4.1Y	22	3.2	90	
CX-125	50	2.2	200-240Δ/345-415Y	8.1Δ/4.7Y	35	2.8	76	IN 252 OUT 125
	60	2.55	220-275Δ/380-480Y	9.5Δ/5.5Y	40	3.8	95	
CX-150	50	4	345-415Δ/600-720Y	8Δ/4.62Y	35	3.5	80	IN 252 OUT 150
	60	4.6	380-480Δ/660-720Y	9Δ/5.20Y	45	4	100	
CX-7.5	50	5.5	345-415Δ/600-720Y	10.9Δ/6.3Y	36	4.8	84	IN 252 OUT 150
	60	6.3	380-480Δ/660-720Y	12Δ/6.94Y	48	6	105	

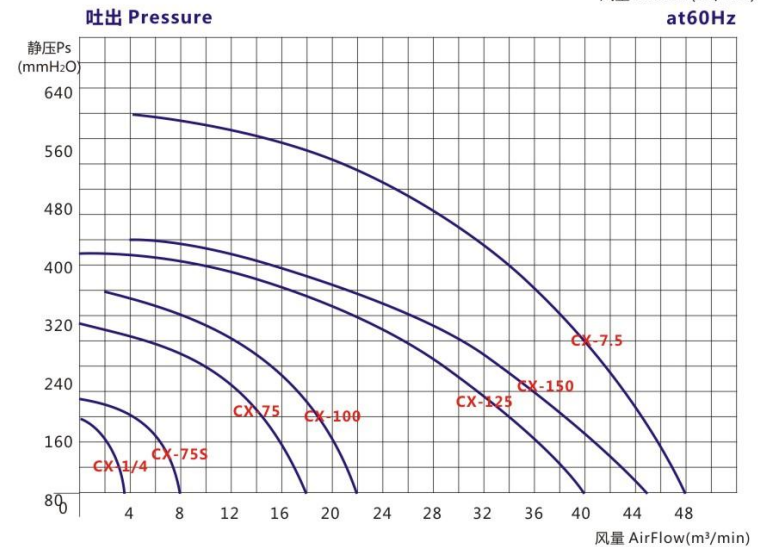
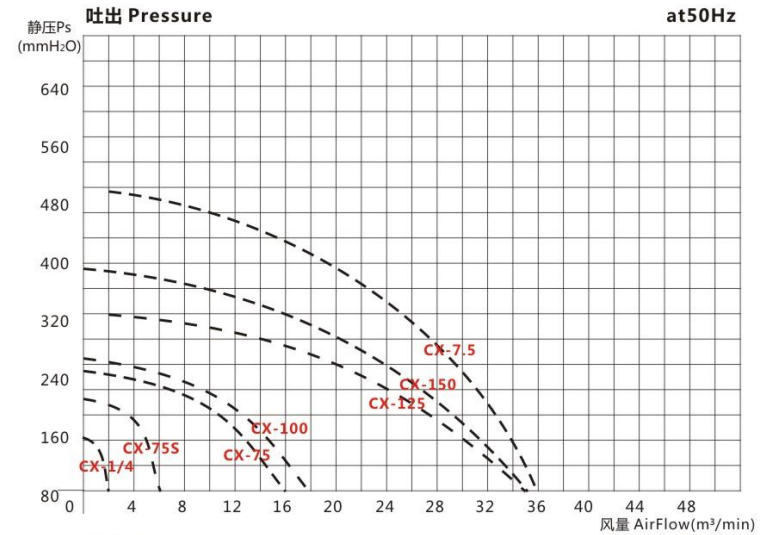


CX-75S

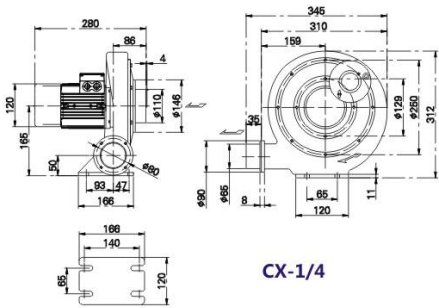


CX-150

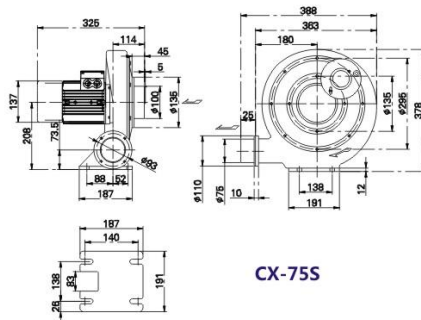
CX性能曲线表 PERFORMANCE CHART



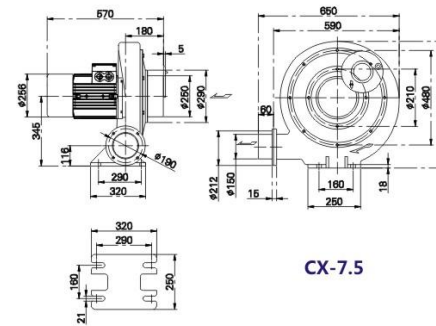
CX尺寸图 DIMENSION(MM)



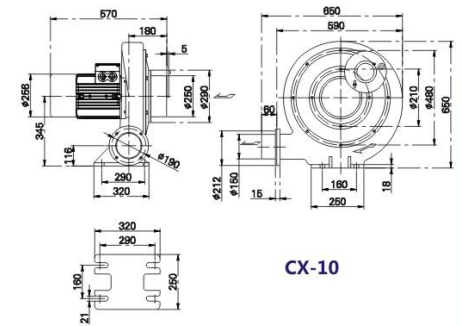
CX-1/4



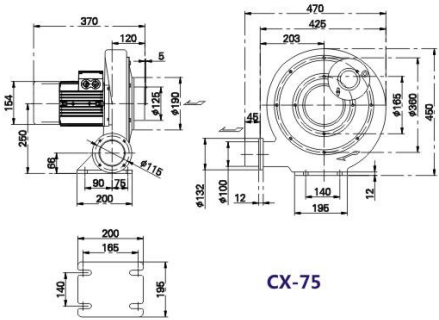
CX-75S



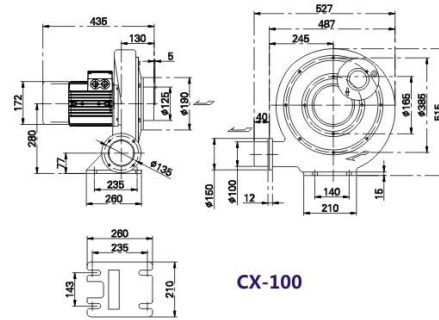
CX-7.5



CX-10



CX-75



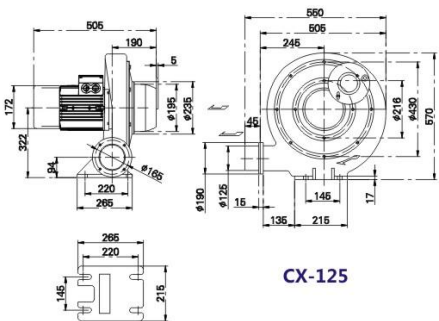
CX-100



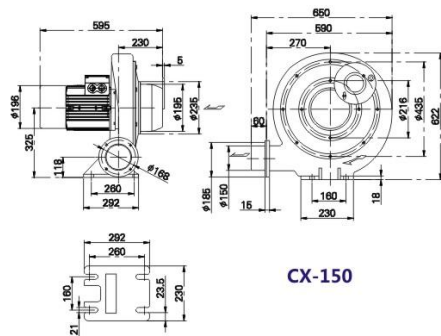
CX-75SH



CX-75S



CX-125



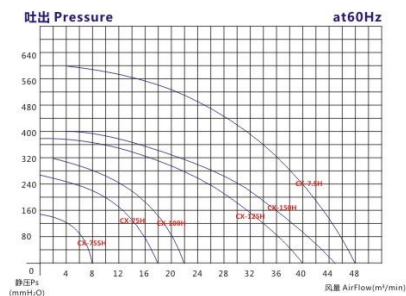
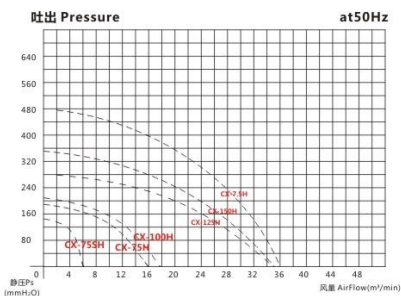
CX-150

CX-透浦式中压鼓风机

CX-隔热型透浦式鼓风机
CX-heat insulation type Pu permeable blower

型号 TYPE	频率 Frequency	功率 Power	额定电压 Rated Voltage	额定电流 Rated Current	最大流量 Air Flow(max)	额定压力 Rated Pressure	噪音 Noise Level	吸出风口口径 In/Out Let	最大吸气温度 Suction Temperature
	Hz	Kw	V	A	m ³ /min	Kpa	dB(A)	mm	max °C
CX-75SH	50	0.4	200-240Δ/345-415Y	1.66Δ/0.96Y	6	1.3	56	IN 100 OUT 75	180°C
	60	0.5	220-275Δ/380-480Y	2.5Δ/1.46Y	8	1.5	70		
CX-75H	50	0.75	200-240Δ/345-415Y	2.99Δ/1.73Y	16	1.9	64	IN 125 OUT 100	
	60	0.83	220-275Δ/380-480Y	3.97Δ/2.3Y	18	2.7	80		
CX-100H	50	1.5	200-240Δ/345-415Y	5.7Δ/3.3Y	18	2.1	74	IN 125 OUT 100	
	60	1.75	220-275Δ/380-480Y	7Δ/4.1Y	22	3.2	90		
CX-125H	50	2.2	200-240Δ/345-415Y	8.1Δ/4.7Y	35	2.8	76	IN 252 OUT 125	
	60	2.55	220-275Δ/380-480Y	9.5Δ/5.5Y	40	3.8	95		
CX-150H	50	4	345-415Δ/600-720Y	8Δ/4.62Y	35	3.5	80	IN 252 OUT 125	
	60	4.6	380-480Δ/660-720Y	9Δ/5.20Y	45	4	100		
CX-7.5H	50	5.5	345-415Δ/600-720Y	10.9Δ/6.3Y	36	4.8	84	IN 252 OUT 125	
	60	6.3	380-480Δ/660-720Y	12Δ/6.94Y	48	6	105		

CX-H性能曲线表 PERFORMANCE CHART

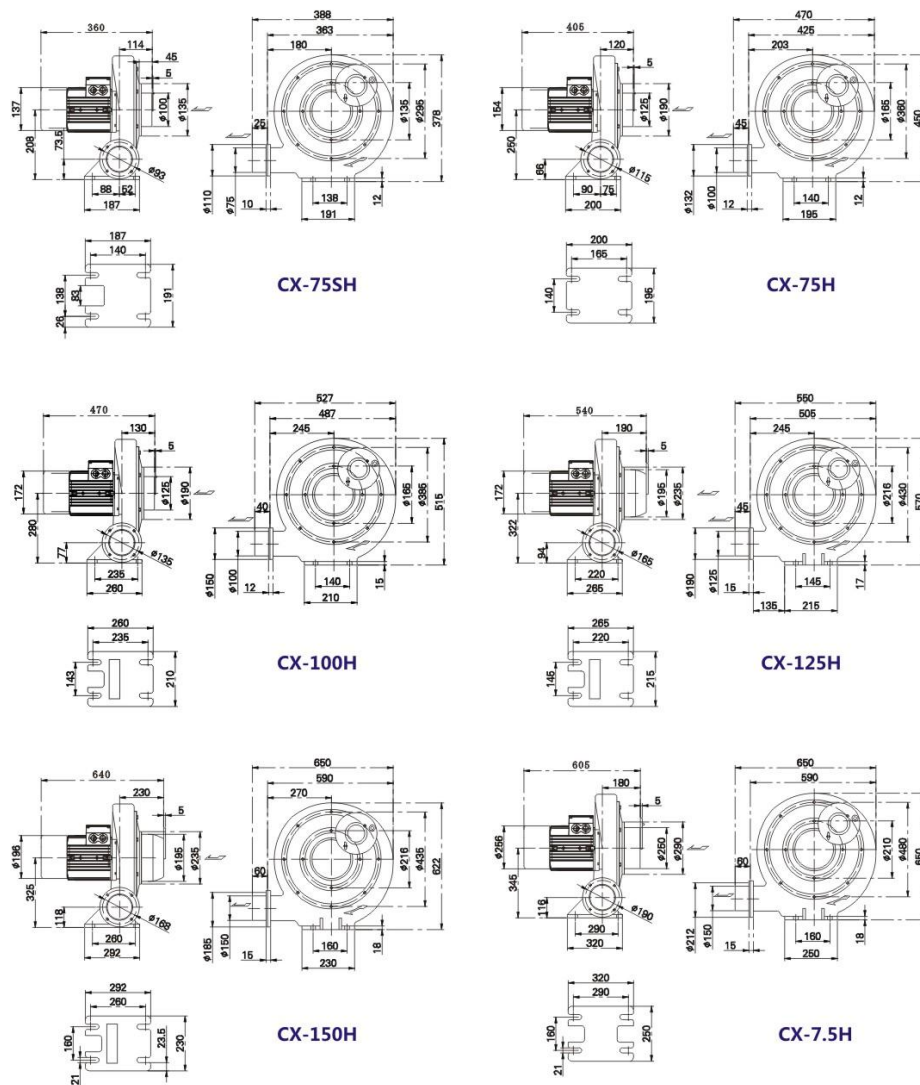


CX-75SH



CX-75H

CX-H尺寸图 DIMENSION(MM)

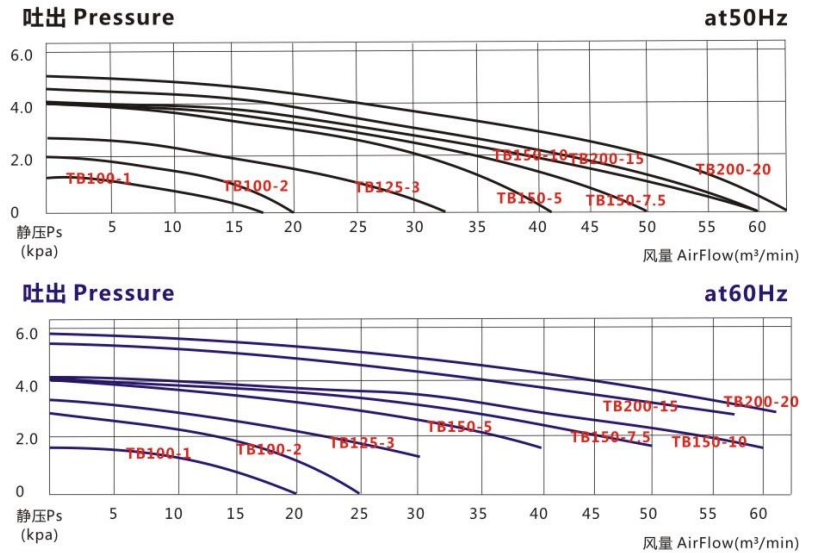


CX-隔热型透浦式鼓风机

TB透浦式中压鼓风机
TB through Pu type medium pressure blower

型号 TYPE	频率 Frequency	功率 Power	额定电压 Rated Voltage	额定电流 Rated Current	最大流量 Air Flow(max)	额定压力 Rated Pressure	噪音 Noise Level	出风口口径 Out Let
	Hz	Kw	V	A	m³/min	Kpa	dB(A)	mm
TB100-1AC	50	0.75	220-240V	3	18	1.3	70	100
	60	0.83	220-240V	3.98	22	2.1	80	
TB100-1	50	0.75	200-240Δ/345-415Y	2.99Δ/1.73Y	18	1.3	70	100
	60	0.83	220-275Δ/380-480Y	3.97Δ/2.3Y	22	2.1	80	
TB100-2AC	50	1.5	220-240V	5.7	20	2	70	100
	60	1.75	220-240V	7.1	25	3	85	
TB100-2	50	1.5	200-240Δ/345-415Y	5.7Δ/3.3Y	20	2	70	100
	60	1.75	220-275Δ/380-480Y	7Δ/4.1Y	25	3	85	
TB125-3	50	2.2	200-240Δ/345-415Y	8.1Δ/4.7Y	33	2.4	80	125
	60	2.55	220-275Δ/380-480Y	9.5Δ/5.5Y	39	3.6	90	
TB150-5	50	4	345-415Δ/600-720Y	8Δ/4.62Y	48	3.8	90	150
	60	4.6	380-480Δ/660-720Y	9Δ/5.20Y	53	5.3	95	
TB150-7.5	50	5.5	345-415Δ/600-720Y	10.9Δ/6.3Y	50	3.8	90	150
	60	6.3	380-480Δ/660-720Y	12Δ/6.94Y	65	5.3	95	
TB150-10	50	7.5	345-415Δ/600-720Y	14.7Δ/8.5Y	60	3.8	90	150
	60	8.6	380-480Δ/660-720Y	15.8Δ/9.13Y	75	5.3	95	
TB200-15	50	11	345-415Δ/600-720Y	24.5Δ/14.2Y	65	5	95	200
	60	12.6	380-480Δ/660-720Y	25.7Δ/15Y	85	6.5	110	
TB200-20	50	15	345-415Δ/600-720Y	33Δ/19Y	90	5	95	200
	60	17.3	380-480Δ/660-720Y	34.2Δ/19.7Y	100	7	110	

TB性能曲线表 PERFORMANCE CHART



TB透浦式中压鼓风机

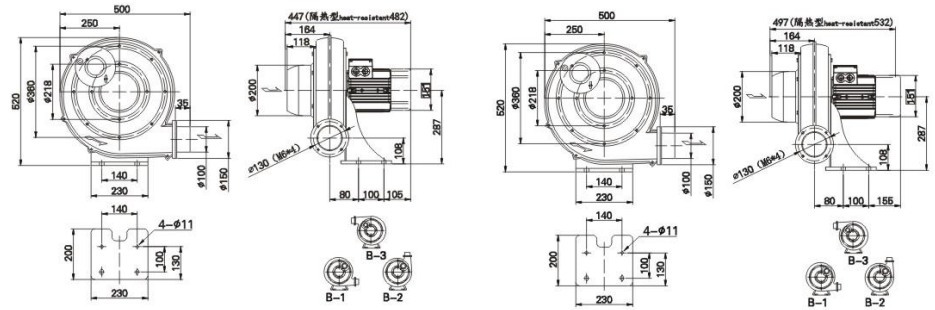


TB200-15



TB150-5

TB尺寸图 DIMENSION(MM)



TB100-1

TB100-2

TB透浦式中压鼓风机
TB through Pu type medium pressure blower

型号 TYPE	频率 Frequency	功率 Power	额定电压 Rated Voltage	额定电流 Rated Current	最大流量 Air Flow(max)	额定压力 Rated Pressure	噪音 Noise Level	出风口口径 Out Let
	Hz	Kw	V	A	m³/min	Kpa	dB(A)	mm
TB100-1AC	50	0.75	220-240V	3	18	1.3	70	100
	60	0.83	220-240V	3.98	22	2.1	80	
TB100-1	50	0.75	200-240Δ/345-415Y	2.99Δ/1.73Y	18	1.3	70	100
	60	0.83	220-275Δ/380-480Y	3.97Δ/2.3Y	22	2.1	80	
TB100-2AC	50	1.5	220-240V	5.7	20	2	70	100
	60	1.75	220-240V	7.1	25	3	85	
TB100-2	50	1.5	200-240Δ/345-415Y	5.7Δ/3.3Y	20	2	70	100
	60	1.75	220-275Δ/380-480Y	7Δ/4.1Y	25	3	85	
TB125-3	50	2.2	200-240Δ/345-415Y	8.1Δ/4.7Y	33	2.4	80	125
	60	2.55	220-275Δ/380-480Y	9.5Δ/5.5Y	39	3.6	90	
TB150-5	50	4	345-415Δ/600-720Y	8Δ/4.62Y	48	3.8	90	150
	60	4.6	380-480Δ/660-720Y	9Δ/5.20Y	53	5.3	95	
TB150-7.5	50	5.5	345-415Δ/600-720Y	10.9Δ/6.3Y	50	3.8	90	150
	60	6.3	380-480Δ/660-720Y	12Δ/6.94Y	65	5.3	95	
TB150-10	50	7.5	345-415Δ/600-720Y	14.7Δ/8.5Y	60	3.8	90	150
	60	8.6	380-480Δ/660-720Y	15.8Δ/9.13Y	75	5.3	95	
TB200-15	50	11	345-415Δ/600-720Y	24.5Δ/14.2Y	65	5	95	200
	60	12.6	380-480Δ/660-720Y	25.7Δ/15Y	85	6.5	110	
TB200-20	50	15	345-415Δ/600-720Y	33Δ/19Y	90	5	95	200
	60	17.3	380-480Δ/660-720Y	34.2Δ/19.7Y	100	7	110	

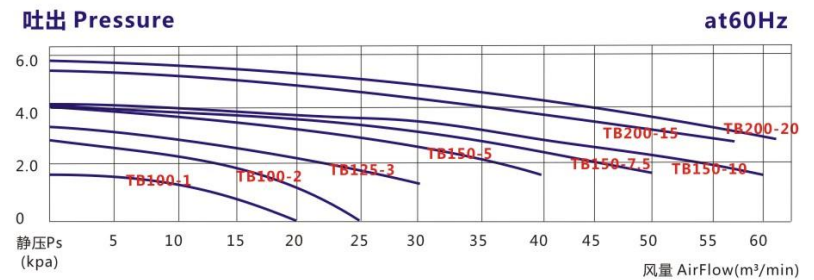
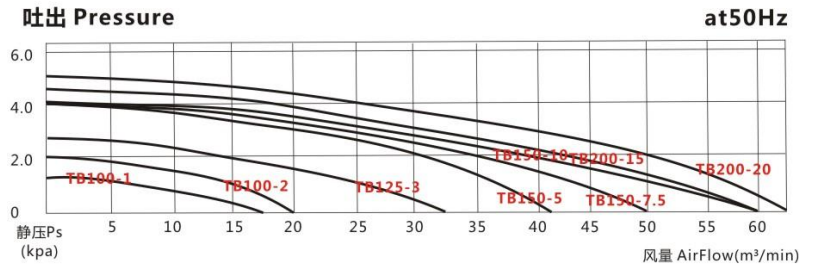


TB200-15

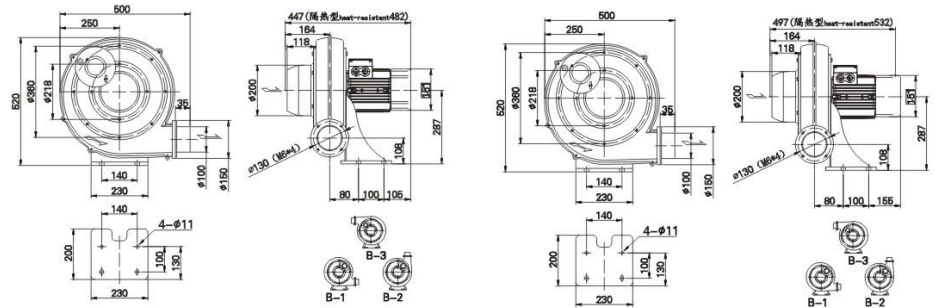


TB150-5

TB性能曲线表 PERFORMANCE CHART



TB尺寸图 DIMENSION(MM)

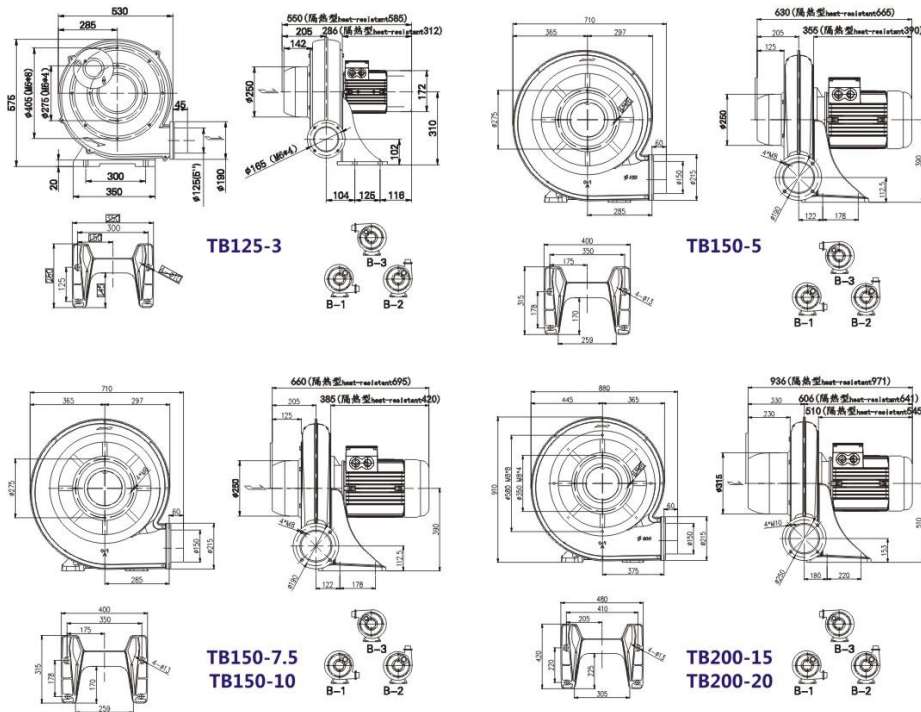


TB100-1

TB100-2

TB透浦式中压鼓风机

TB尺寸图 DIMENSION(MM)



TB125-3H



TB125-3



HTB100-304



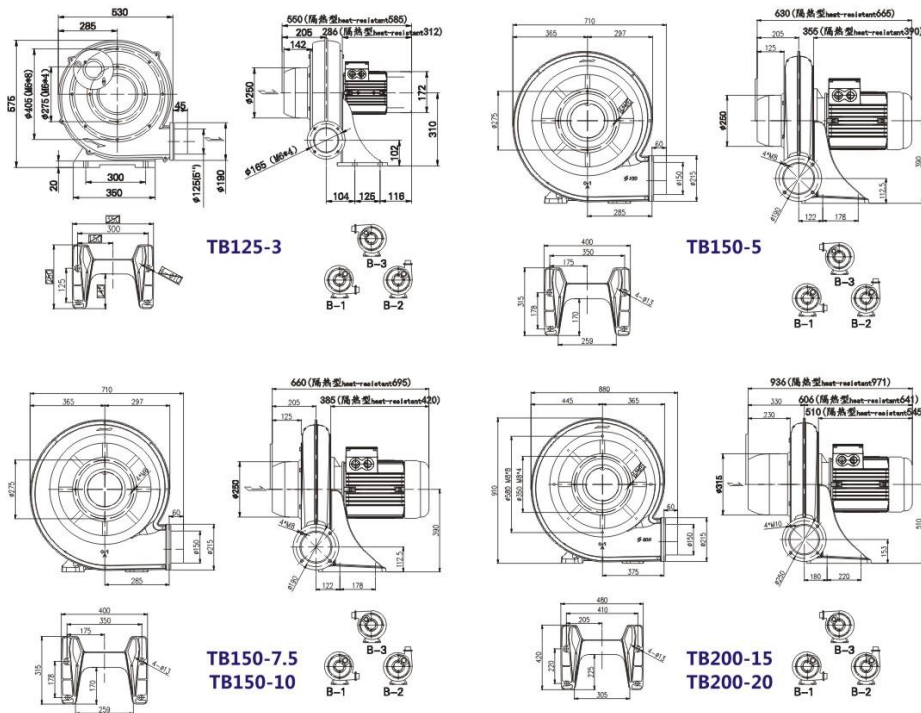
HTB125-704

HTB-透浦多段式鼓风机
HTB-Multi-Stage Turbo Blower

型号	频率	功率	额定电压	额定电流	最大流量	额定压力	噪音	出口口径
TYPE	Frequency	Power	Rated Voltage	Rated Current	Air Flow(max)	Rated Pressure	Noise Level	In/Out Let
	Hz	Kw	V	A	m ³ /min	Kpa	dB(A)	mm
HTB75-032	50	0.4	200-240Δ/345-415Y	1.66Δ/0.96Y	6	2.1	53	75
	60	0.5	220-275Δ/380-480Y	2.5Δ/1.46Y	7	2.6	65	
HTB75-053	50	0.4	200-240Δ/345-415Y	1.66Δ/0.96Y	6.5	2.9	55	75
	60	0.5	220-275Δ/380-480Y	2.5Δ/1.46Y	7.5	3.8	68	
HTB75-104	50	0.75	200-240Δ/345-415Y	2.99Δ/1.73Y	6.5	3.7	56	75
	60	0.83	220-275Δ/380-480Y	3.97Δ/2.3Y	8	5	70	
HTB75-105	50	0.75	200-240Δ/345-415Y	2.99Δ/1.73Y	6.5	4.2	56	75
	60	0.83	220-275Δ/380-480Y	3.97Δ/2.3Y	8.5	6	70	
HTB100-102	50	0.75	200-240Δ/345-415Y	2.99Δ/1.73Y	11	3.4	60	100
	60	0.83	220-275Δ/380-480Y	3.97Δ/2.3Y	13	4.5	74	
HTB100-203	50	1.5	200-240Δ/345-415Y	5.7Δ/3.3Y	11	5	61	100
	60	1.75	220-275Δ/380-480Y	7Δ/4.1Y	14	7	76	
HTB100-304	50	2.2	200-240Δ/345-415Y	8.1Δ/4.7Y	12.5	6.5	63	100
	60	2.55	220-275Δ/380-480Y	9.5Δ/5.5Y	16	9	78	
HTB100-505	50	4	345-415Δ/600-720Y	8Δ/4.62Y	12.8	7.9	64	100
	60	4.6	380-480Δ/660-720Y	9Δ/5.20Y	16.5	11	80	
HTB125-503	50	4	345-415Δ/600-720Y	8Δ/4.62Y	19	5.8	70	125
	60	4.6	380-480Δ/660-720Y	9Δ/5.20Y	23	7.9	85	
HTB125-704	50	5.5	345-415Δ/600-720Y	10.9Δ/6.3Y	20	7.5	70	125
	60	6.3	380-480Δ/660-720Y	12Δ/6.94Y	24	10.5	88	
HTB125-1005	50	7.5	345-415Δ/600-720Y	14.7Δ/8.5Y	20	9	72	125
	60	8.6	380-480Δ/660-720Y	15.8Δ/9.13Y	24	13	90	

HTB-透浦多段式鼓风机

TB尺寸图 DIMENSION(MM)



TB125-3H



TB125-3



HTB100-304



HTB125-704

HTB-透浦多段式鼓风机
HTB-Multi-Stage Turbo Blower

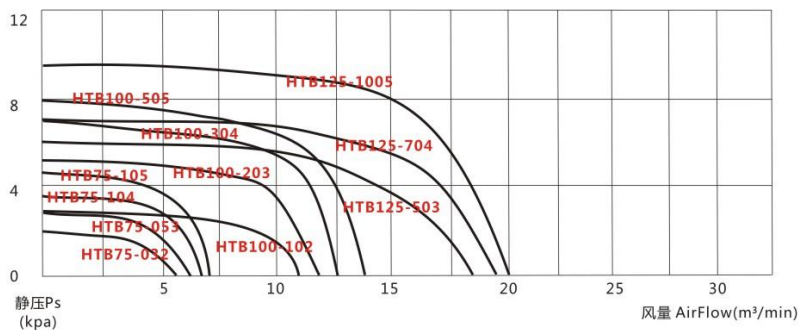
型号	频率	功率	额定电压	额定电流	最大流量	额定压力	噪音	出口口径
TYPE	Frequency	Power	Rated Voltage	Rated Current	Air Flow(max)	Rated Pressure	Noise Level	In/Out Let
	Hz	Kw	V	A	m ³ /min	Kpa	dB(A)	mm
HTB75-032	50	0.4	200-240Δ/345-415Y	1.66Δ/0.96Y	6	2.1	53	75
	60	0.5	220-275Δ/380-480Y	2.5Δ/1.46Y	7	2.6	65	
HTB75-053	50	0.4	200-240Δ/345-415Y	1.66Δ/0.96Y	6.5	2.9	55	75
	60	0.5	220-275Δ/380-480Y	2.5Δ/1.46Y	7.5	3.8	68	
HTB75-104	50	0.75	200-240Δ/345-415Y	2.99Δ/1.73Y	6.5	3.7	56	75
	60	0.83	220-275Δ/380-480Y	3.97Δ/2.3Y	8	5	70	
HTB75-105	50	0.75	200-240Δ/345-415Y	2.99Δ/1.73Y	6.5	4.2	56	75
	60	0.83	220-275Δ/380-480Y	3.97Δ/2.3Y	8.5	6	70	
HTB100-102	50	0.75	200-240Δ/345-415Y	2.99Δ/1.73Y	11	3.4	60	100
	60	0.83	220-275Δ/380-480Y	3.97Δ/2.3Y	13	4.5	74	
HTB100-203	50	1.5	200-240Δ/345-415Y	5.7Δ/3.3Y	11	5	61	100
	60	1.75	220-275Δ/380-480Y	7Δ/4.1Y	14	7	76	
HTB100-304	50	2.2	200-240Δ/345-415Y	8.1Δ/4.7Y	12.5	6.5	63	100
	60	2.55	220-275Δ/380-480Y	9.5Δ/5.5Y	16	9	78	
HTB100-505	50	4	345-415Δ/600-720Y	8Δ/4.62Y	12.8	7.9	64	100
	60	4.6	380-480Δ/660-720Y	9Δ/5.20Y	16.5	11	80	
HTB125-503	50	4	345-415Δ/600-720Y	8Δ/4.62Y	19	5.8	70	125
	60	4.6	380-480Δ/660-720Y	9Δ/5.20Y	23	7.9	85	
HTB125-704	50	5.5	345-415Δ/600-720Y	10.9Δ/6.3Y	20	7.5	70	125
	60	6.3	380-480Δ/660-720Y	12Δ/6.94Y	24	10.5	88	
HTB125-1005	50	7.5	345-415Δ/600-720Y	14.7Δ/8.5Y	20	9	72	125
	60	8.6	380-480Δ/660-720Y	15.8Δ/9.13Y	24	13	90	

HTB-透浦多段式鼓风机

HTB性能曲线表 PERFORMANCE CHART

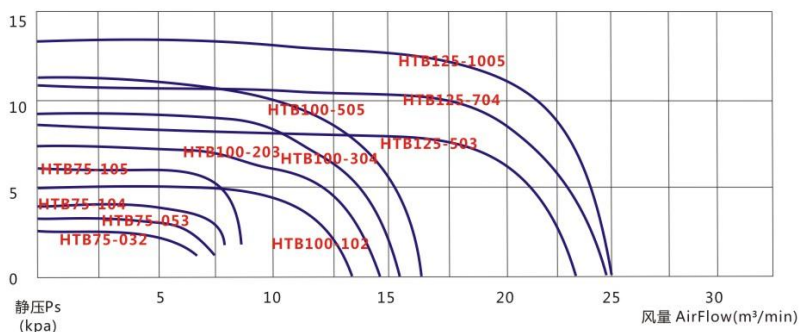
吐出 Pressure

at50Hz

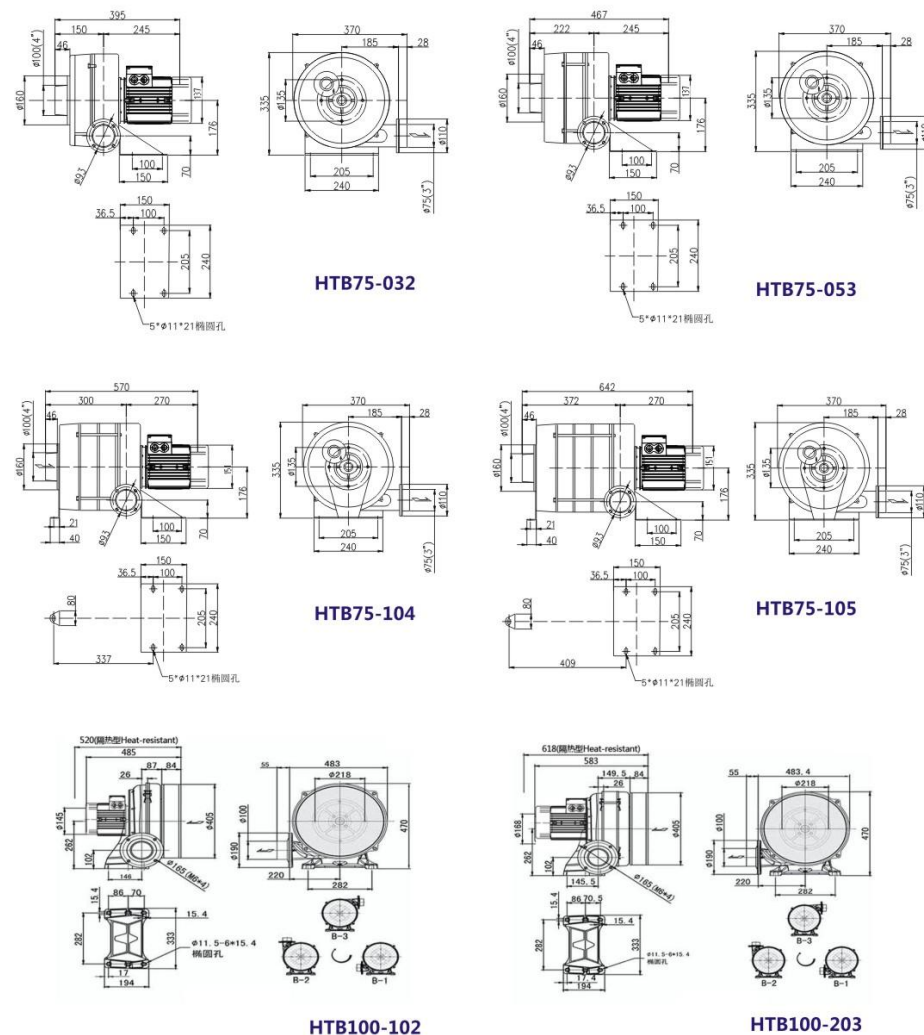


吐出 Pressure

at60Hz

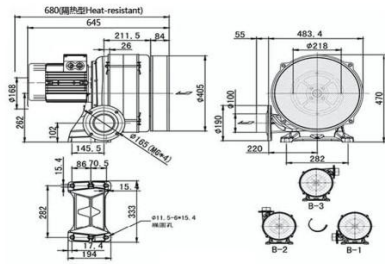


HTB尺寸图 DIMENSION(MM)

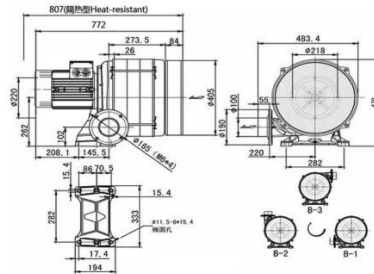


HTB-透浦多段式鼓风机

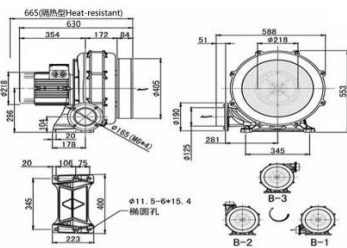
HTB尺寸图 DIMENSION(MM)



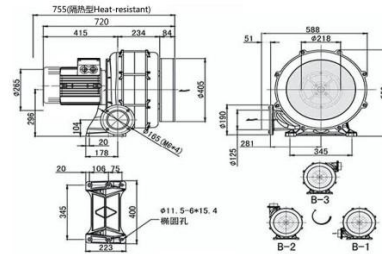
HTB100-304



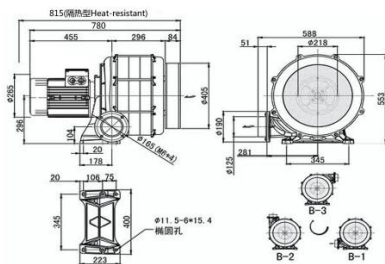
HTB100-505



HTB125-503



HTB125-704



HTB125-1005



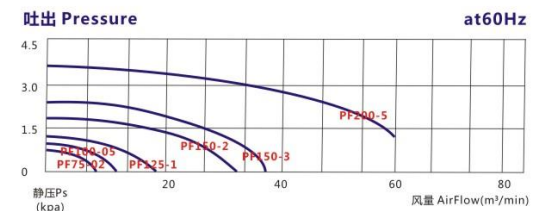
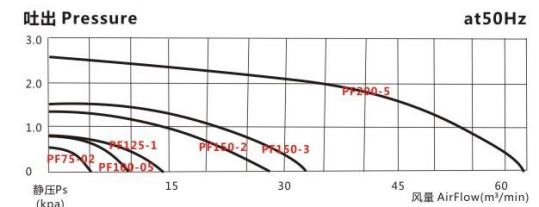
HTB75-053

PF-直叶式鼓风机
PF-straight blade blower

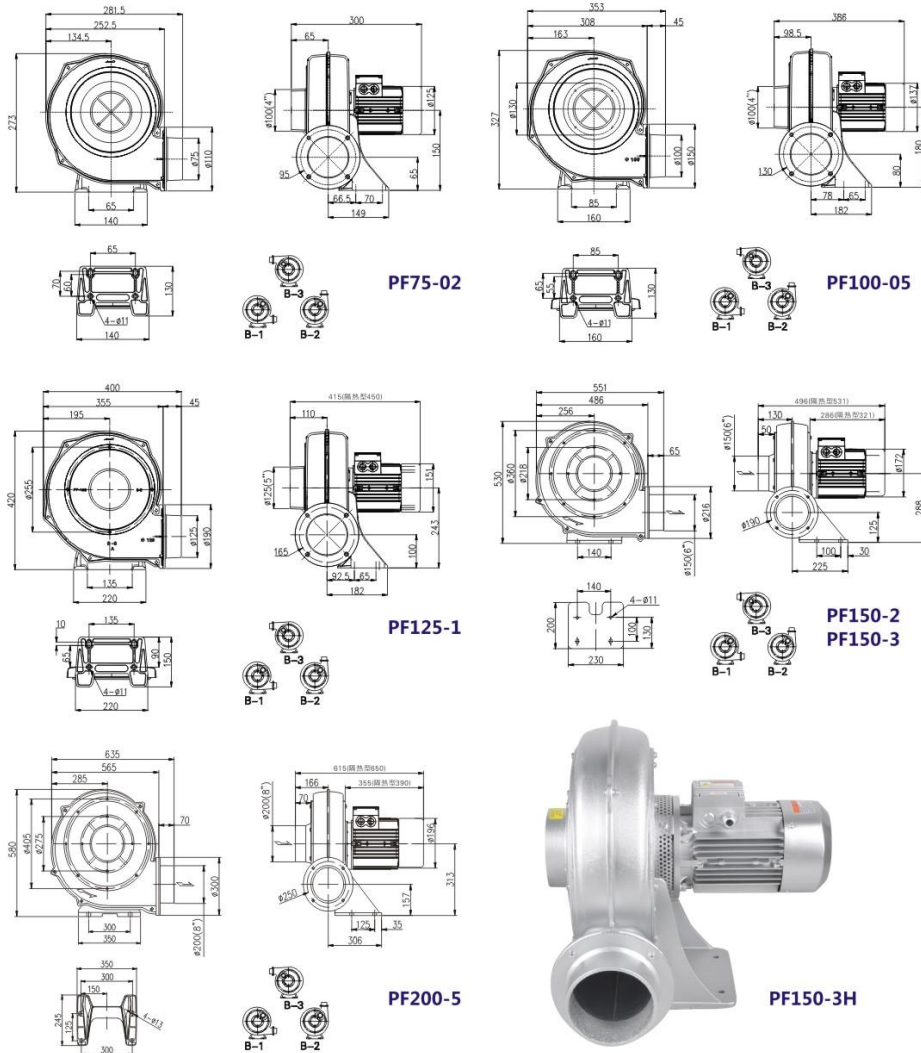
型号 TYPE	频率 Frequency	功率 Power	额定电压 Rated Voltage	额定电流 Rated Current	最大流量 Air Flow(max)	额定压力 Rated Pressure	噪音 Noise Level	出口口径 In/Out Let
	Hz	Kw	V	A	m ³ /min	Kpa	dB(A)	mm
PF75-02AC	50	0.2	220-240V	0.92	5	0.5	50	75
	60	0.28	220-240V	1.7	6	0.7	62	
PF75-02	50	0.2	200-240Δ/345-415Y	0.91Δ/0.53Y	5	0.5	50	75
	60	0.28	220-275Δ/380-480Y	1.69Δ/0.98Y	6	0.7	62	
PF100-05AC	50	0.4	220-240V	1.7	8	0.7	56	100
	60	0.5	220-240V	2.5	10	0.9	70	
PF100-05	50	0.4	200-240Δ/345-415Y	1.66Δ/0.96Y	8	0.7	56	100
	60	0.5	220-275Δ/380-480Y	2.5Δ/1.46Y	10	0.9	70	
PF125-1AC	50	0.75	220-240V	3	14	0.7	65	125
	60	0.83	220-240V	3.98	17	1.2	80	
PF125-1	50	0.75	200-240Δ/345-415Y	2.99Δ/1.73Y	14	0.7	65	125
	60	0.83	220-275Δ/380-480Y	3.97Δ/2.3Y	17	1.2	80	
PF150-2	50	1.5	200-240Δ/345-415Y	5.7Δ/3.3Y	28	1.3	75	150
	60	1.75	220-275Δ/380-480Y	7Δ/4.1Y	33	1.9	90	
PF150-3	50	2.2	200-240Δ/345-415Y	8.1Δ/4.7Y	33	1.6	75	150
	60	2.55	220-275Δ/380-480Y	9.5Δ/5.5Y	37	2.5	93	
PF200-5	50	4	345-415Δ/600-720Y	8Δ/4.62Y	63	2.6	80	200
	60	4.6	380-480Δ/660-720Y	9Δ/5.20Y	71	3.8	100	

PF-直叶式鼓风机

PF性能曲线表
PERFORMANCE CHART



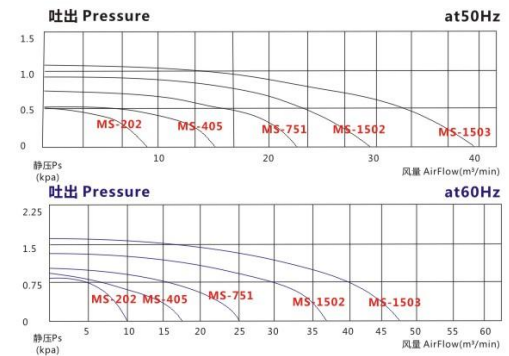
PF尺寸图 DIMENSION(MM)



MS-离心式鼓风机
MS- centrifugal blower

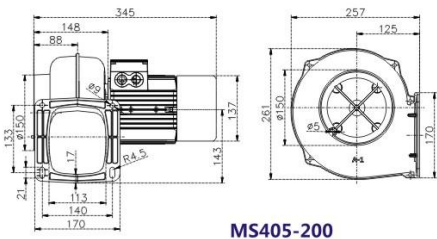
型号	频率	功率	额定电压	额定电流	最大流量	额定压力	噪音	出风口口径
TYPE	Frequency	Power	Rated Voltage	Rated Current	Air Flow(max)	Rated Pressure	Noise Level	In/Out Let
	Hz	Kw	V	A	m ³ /min	Kpa	dB(A)	mm
MS405-200-AC	50	0.2	220-240V	0.92	8	0.6	60	75×75
	60	0.28	220-240V	1.7	10	0.8	65	
MS405-200	50	0.2	200-240Δ/345-415Y	0.91Δ/0.53Y	8	0.6	60	75×75
	60	0.28	220-275Δ/380-480Y	1.69Δ/0.98Y	10	0.8	65	
MS-405-AC	50	0.4	220-240V	1.7	15	0.6	65	100×100
	60	0.5	220-240V	2.5	17	0.85	70	
MS-405	50	0.4	200-240Δ/345-415Y	1.66Δ/0.96Y	15	0.6	65	100×100
	60	0.5	220-275Δ/380-480Y	2.5Δ/1.46Y	17	0.85	70	
MS-751-AC	50	0.75	220-240V	3	23	0.8	70	125×125
	60	0.83	220-240V	3.98	25	1.1	75	
MS-751	50	0.75	200-240Δ/345-415Y	2.99Δ/1.73Y	23	0.85	70	125×125
	60	0.83	220-275Δ/380-480Y	3.97Δ/2.3Y	25	1.1	75	
MS150-2	50	1.5	200-240Δ/345-415Y	5.7Δ/3.3Y	24	1	70	140×155
	60	1.75	220-275Δ/380-480Y	7Δ/4.1Y	30	1.2	75	
MS150-3	50	2.2	200-240Δ/345-415Y	8.1Δ/4.7Y	30	1.1	70	140×155
	60	2.55	220-275Δ/380-480Y	9.5Δ/5.5Y	38	1.4	75	
FMS405-200	50	0.2	200-240Δ/345-415Y	0.91Δ/0.53Y	8	0.6	60	5"
	60	0.28	220-275Δ/380-480Y	1.69Δ/0.98Y	10	0.8	65	
FMS-405	50	0.4	200-240Δ/345-415Y	1.66Δ/0.96Y	15	0.6	65	5"
	60	0.5	220-275Δ/380-480Y	2.5Δ/1.46Y	17	0.85	70	
FMS-751	50	0.75	200-240Δ/345-415Y	2.99Δ/1.73Y	23	0.85	70	6"
	60	0.83	220-275Δ/380-480Y	3.97Δ/2.3Y	25	1.1	75	
FMS150-2	50	1.5	200-240Δ/345-415Y	5.7Δ/3.3Y	24	1	70	8"
	60	1.75	220-275Δ/380-480Y	7Δ/4.1Y	30	1.2	75	
FMS150-3	50	2.2	200-240Δ/345-415Y	8.1Δ/4.7Y	30	1.1	70	8"
	60	2.55	220-275Δ/380-480Y	9.5Δ/5.5Y	38	1.4	75	

MS性能曲线表
PERFORMANCE CHART

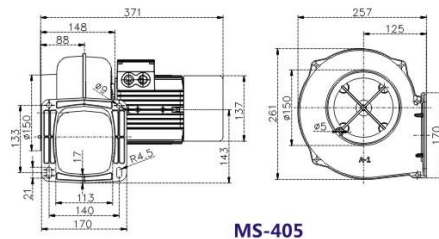


MS/FMS尺寸图 DIMENSION(MM)

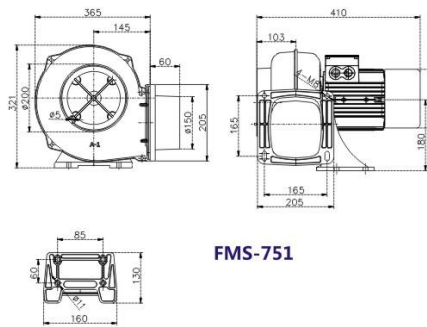
MS/FMS尺寸图 DIMENSION(MM)



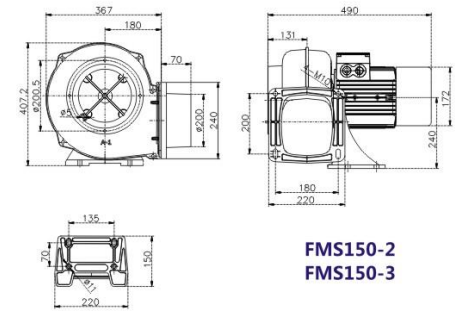
MS405-200



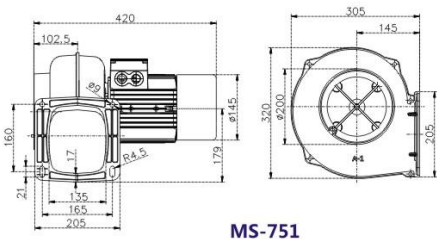
MS-405



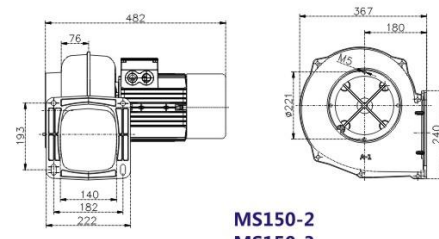
FMS-751



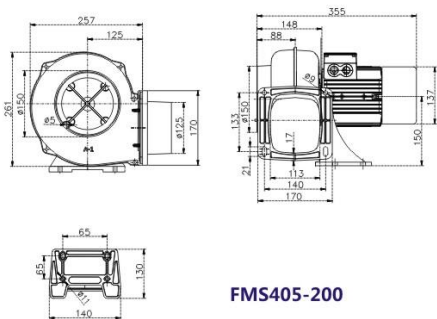
**FMS150-2
FMS150-3**



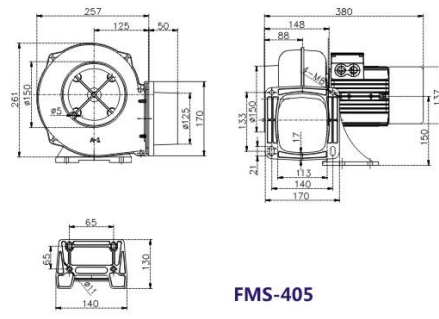
MS-751



**MS150-2
MS150-3**



FMS405-200



FMS-405



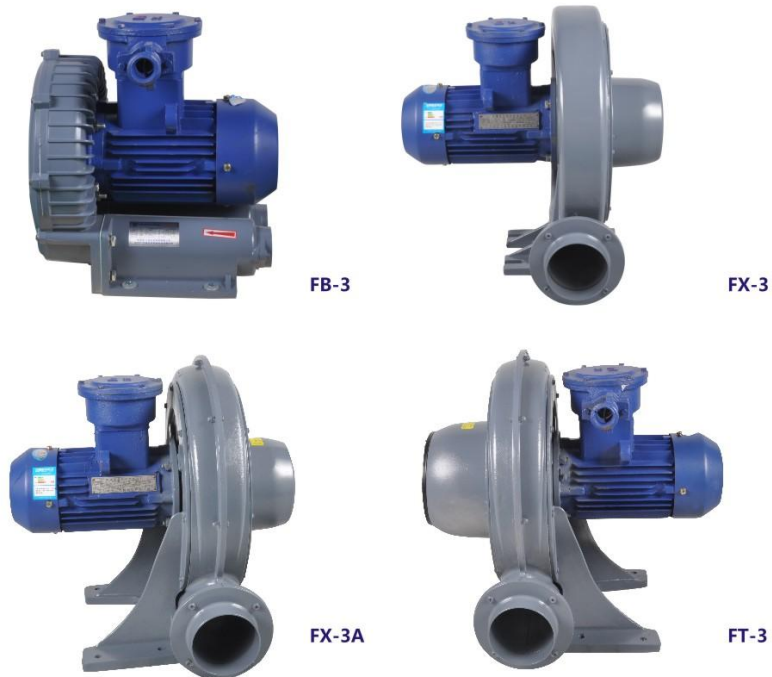
FMS-405



MS-405

MS-离心式鼓风机

EXPLOSION-PROOF INDUSTRIAL BLOWER
防爆工业鼓风机



主要用于煤矿、石油爆炸性粉尘或可燃纤维、危险场合
危险等级：EX-DIIC>IIB>IIA

由于技术上的需要，本公司保留设计与变更的权利。安全事项：常温风机允许进风温度为40℃，以上型号均可做隔热(180℃)那腐蚀处理。由于高压系列风机可能在运行时产生温度达到100℃,故在选型及使用中涉及因温度升高而发生危险之场所避免使用。风机配置为：全铝机身风叶配备专业之防爆电机，电机防等级为IP55，绝缘等级F级，防爆等级最高DIIC4。

As a matter of technical necessity, the company reserves the right to design and change. Safety: the normal temperature fan allows the inlet air temperature is 40 DEG C, the above models can be made of insulation (180 C), the corrosion process, due to the high voltage series fan may cause the temperature reached 100 degrees at run time, so in the selection and use of related places risk due to temperature occurred to avoid the use of. Fan configuration: full aluminum fuselage, blade equipped with professional explosion-proof motor, motor grade is IP55, insulation class F, explosion-proof grade highest DIIC4.

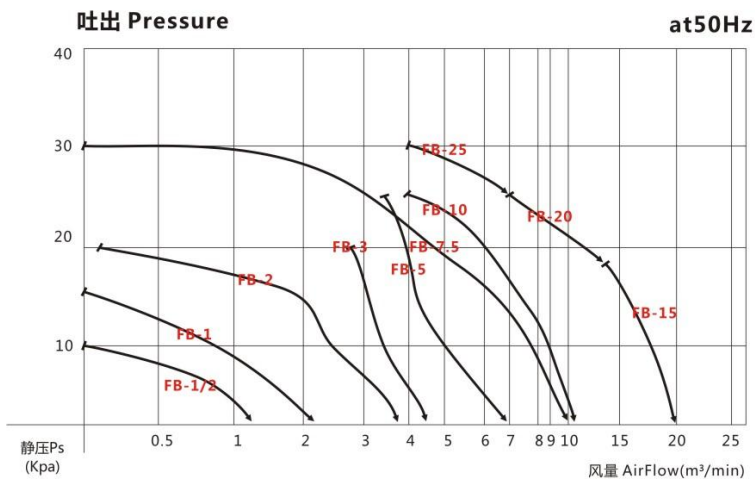
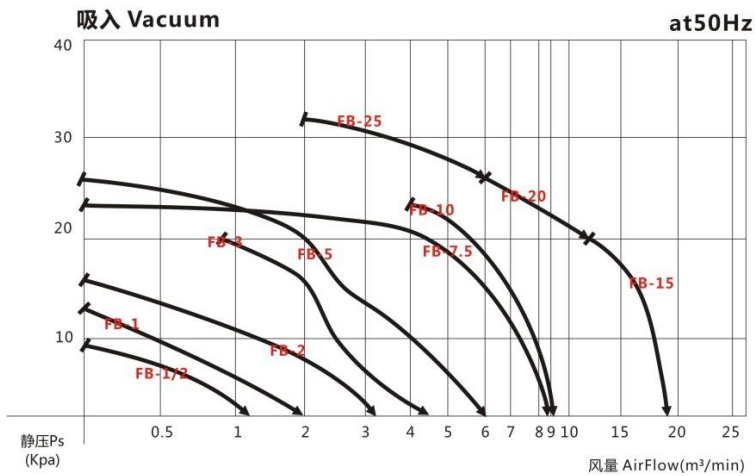
FB-隔爆型环形鼓风机
FB-flameproof ring blower

型号	频率	功率	额定电压	额定电流	最大流量	额定真空	额定压力	噪音	出入口径
TYPE	Frequency	Power	Rated Voltage	Rated Current	Air Flow(max)	Rated Pressure	Rated Pressure	Noise Level	In/Out
	Hz	Kw	V	A	m³/min	Kpa	Kpa	dB(A)	Let
FB-1/2	50	0.37	380	0.96	1.3	-9	10	65	PF 1½"
	60	0.37			1.3	-10	12	68	
FB-1	50	0.75	380	1.73	2	-13	16	67	PF 1½"
	60	0.75			2.5	-14	15	72	
FB-2	50	1.5	380	3.3	3.2	-17	18	70	PF 2"
	60	1.5			4.5	-14	15	75	
FB-3	50	2.2	380	4.7	5	-20	20	70	PF 2"
	60	2.2			6	-15	15	78	
FB-5	50	3.7	380	8	7	-22	24	77	PF 2"
	60	3.7			7.5	-22	21	80	
FB-7.5	50	5.5	380	10.9	10	-23	30	80	PF 2.5"
	60	5.5			11	-28	25	85	
FB-10	50	7.5	380	14.7	10	-21	23	80	PF 2.5"
	60	7.5			12	-19	19	85	
FB-15	50	11	380	24.5	19	-20	18	90	PF 4"
	60	11			24	-15	15	105	
FB-20	50	15	380	33	19	-26	24	90	PF 4"
	60	15			24	-20	20	105	
FB-25	50	18.5	380	40.2	19	-32	30	90	PF 4"
	60	18.5			24	-25	25	105	

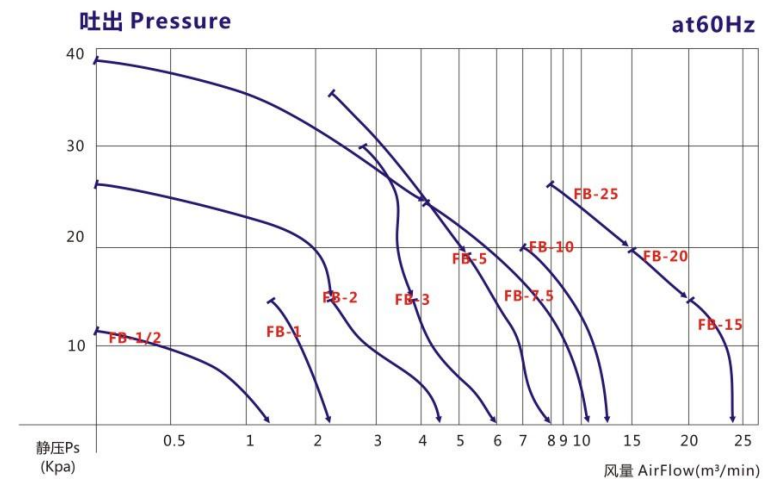
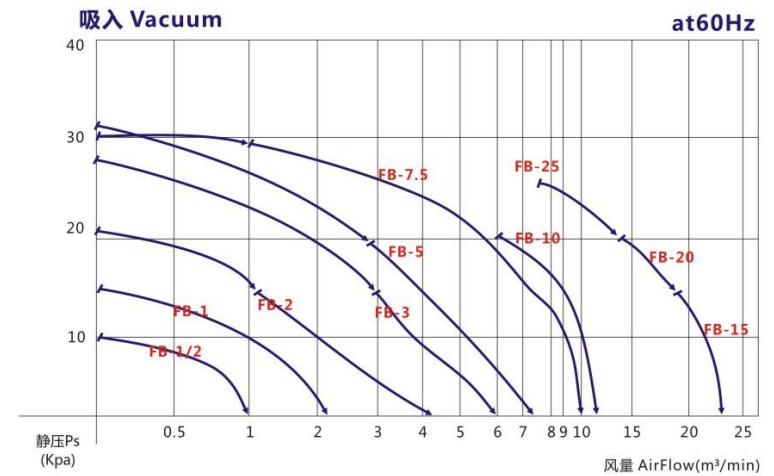
注：FB防爆型环形鼓风机 泵壳和叶轮均为铝合金材质 防爆等级可选EX-DIIBT4 EX-DIIC4 F级绝缘等级 防护等级IP55 IP56 IP65等 可定制耐高温 防腐处理。



FB性能曲线表 PERFORMANCE CHART

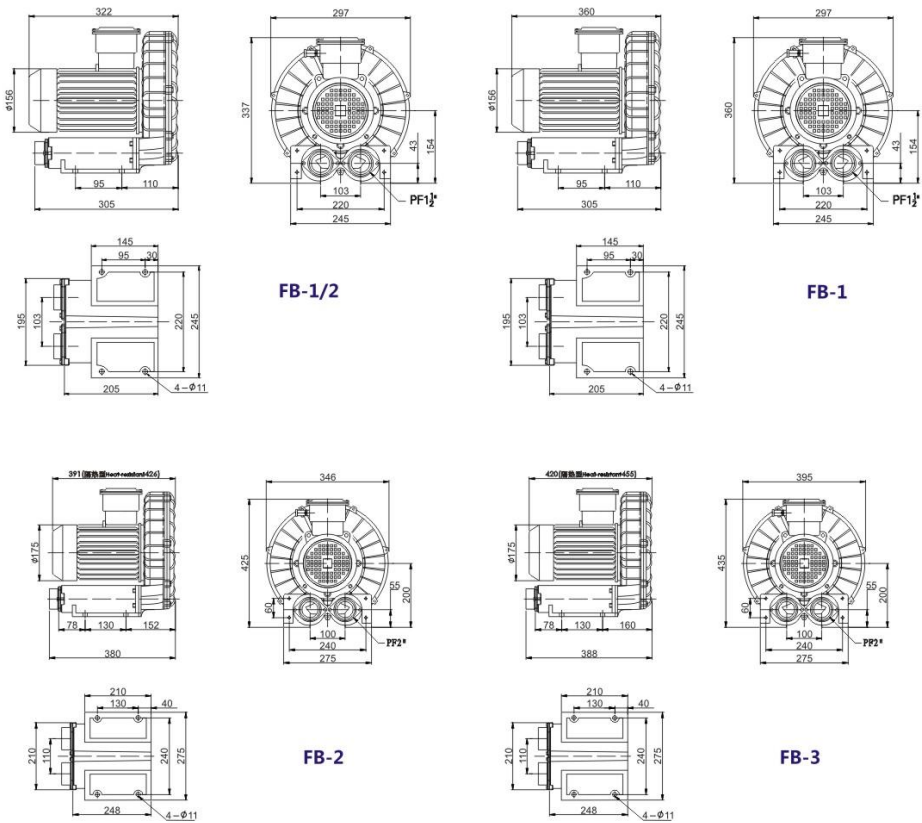


FB性能曲线表 PERFORMANCE CHART

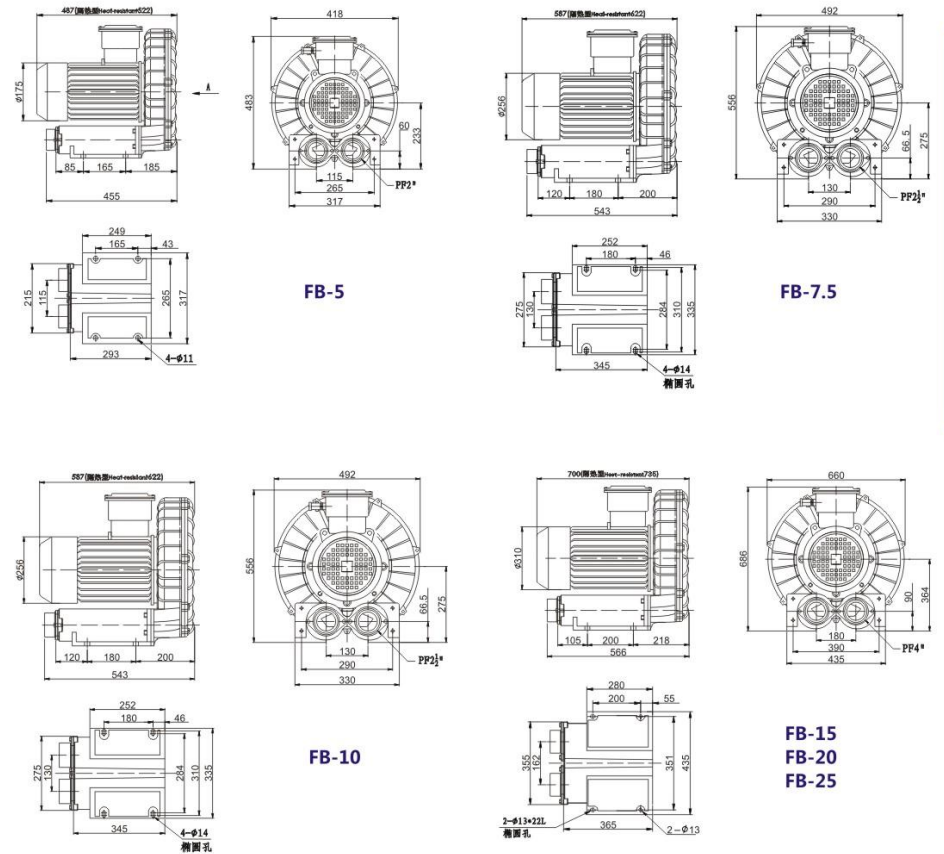


FB-隔爆型环形鼓风机

FB-H尺寸图 DIMENSION(MM)



FB-H尺寸图 DIMENSION(MM)



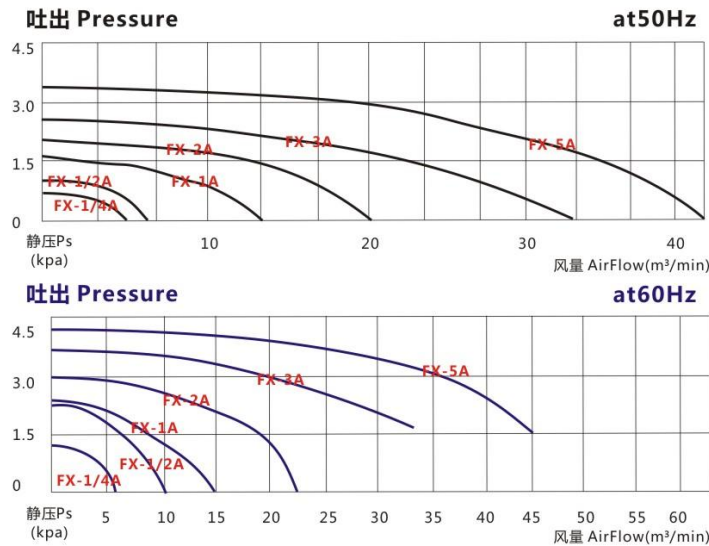
FB-隔爆型环形鼓风机

FX-A防爆中压鼓风机
FX-A explosion-proof medium pressure blower

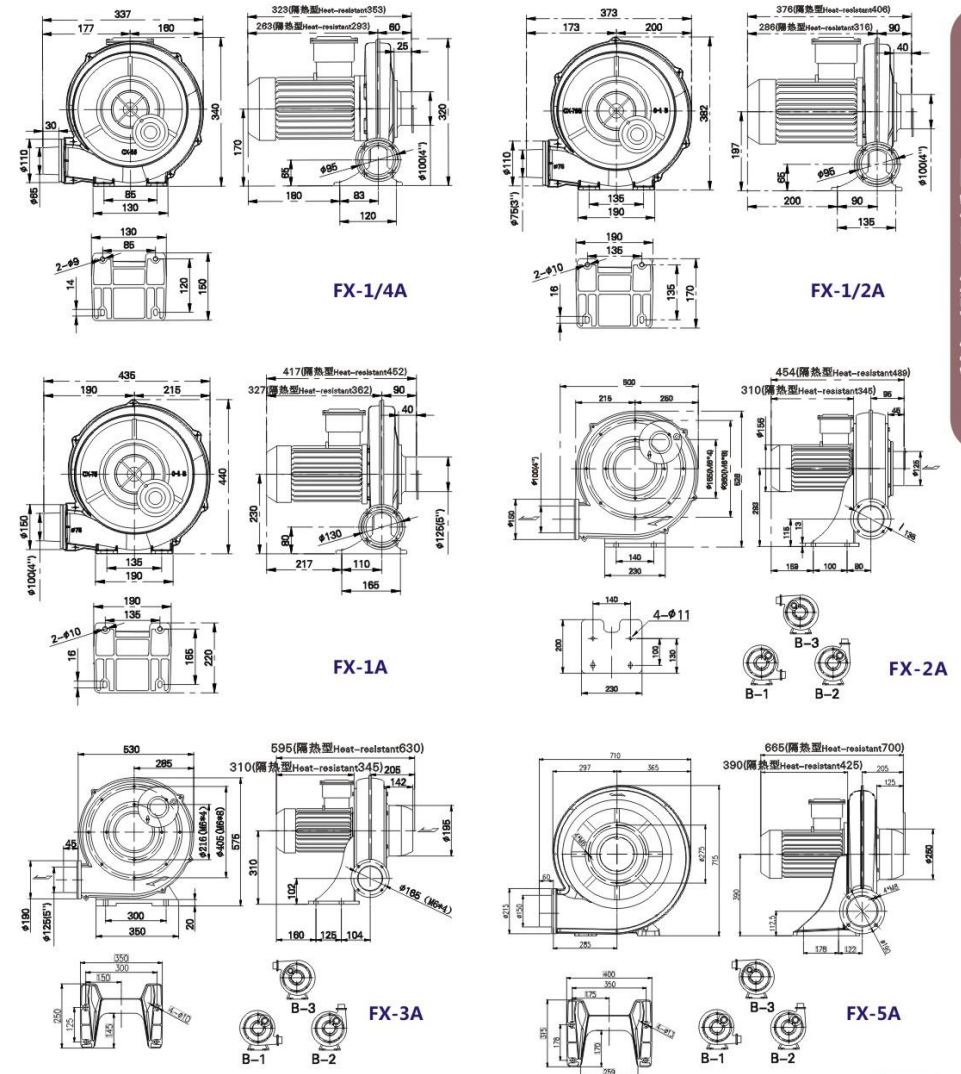
型号 TYPE	频率 Frequency	功率 Power	额定电压 Rated Voltage	额定电流 Rated Current	最大流量 Air Flow(max)	额定压力 Rated Pressure	噪音 Noise Level	吸出风口口径 In/Out Let
	Hz	Kw	V	A	m³/min	Kpa	dB(A)	mm
FX-1/4A	50	0.18	380	0.53	4.5	0.7	50	IN 100 OUT 65
	60	0.18			5.3	1.1	62	
FX-1/2A	50	0.37	380	0.96	7	1.1	56	IN 100 OUT 75
	60	0.37			8	1.6	70	
FX-1A	50	0.75	380	1.73	13	1.7	64	IN 125 OUT 100
	60	0.75			15	2.4	80	
FX-2A	50	1.5	380	3.3	20	2	74	IN 125 OUT 100
	60	1.5			23	3	90	
FX-3A	50	2.2	380	4.7	32	2.4	76	IN 252 OUT 125
	60	2.2			37	3.7	95	
FX-5A	50	3.7	380	8	46	3.2	80	IN 252 OUT 150
	60	3.7			53	4.4	100	

注：FX防爆型中压鼓风机泵壳和叶轮均为铝合金材质 防爆等级可选EX-DIIBT4 EX-DIICT4 F级绝缘等级 防护等级IP55 IP56 IP65等可定制耐高温 防腐处理。

FX-A 性能曲线表
PERFORMANCE CHART



FX-A尺寸图 DIMENSION(MM)



FX-A 防爆中压鼓风机

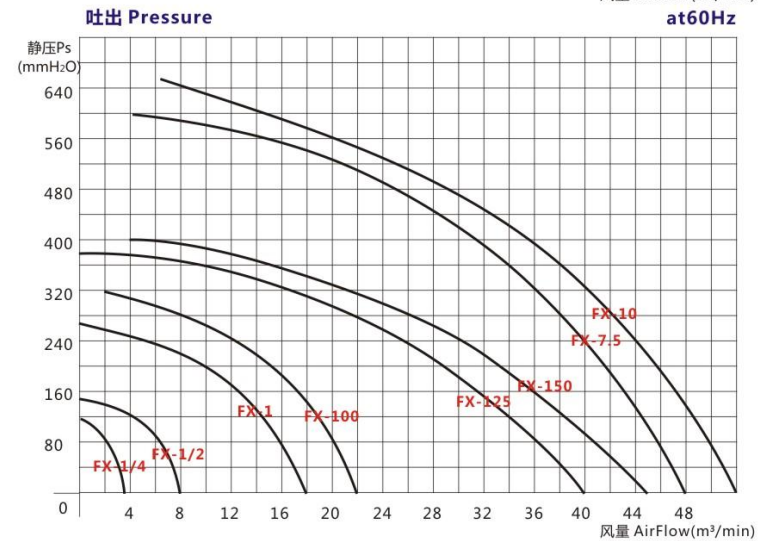
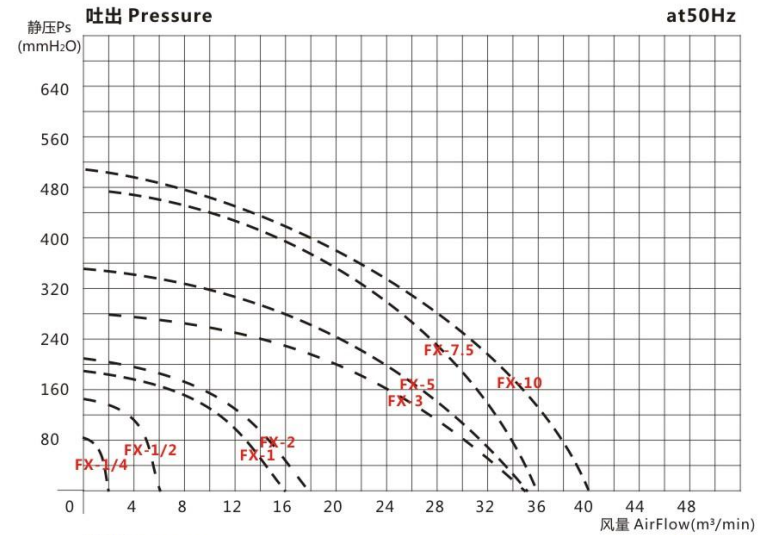
FX防爆型中压鼓风机
FX explosion-proof type medium pressure blower

型号 TYPE	频率 Frequency	功率 Power	额定电压 Rated Voltage	额定电流 Rated Current	最大流量 Air Flow(max)	额定压力 Rated Pressure	噪音 Noise Level	吸出风口口径 In/Out Let
	Hz	Kw	V	A	m³/min	Kpa	dB(A)	mm
FX-1/4	50	0.18	380	0.53	2.2	0.9	50	IN 100 OUT 65
	60	0.18			3.4	1.2	62	
FX-1/2	50	0.37	380	0.96	6	1.3	56	IN 100 OUT 75
	60	0.37			8	1.5	70	
FX-1	50	0.75	380	1.73	16	1.9	64	IN 125 OUT 100
	60	0.75			18	2.7	80	
FX-2	50	1.5	380	3.3	18	2.1	74	IN 125 OUT 100
	60	1.5			22	3.2	90	
FX-3	50	2.2	380	4.7	35	2.8	76	IN 252 OUT 125
	60	2.2			40	3.8	95	
FX-5	50	3.7	380	8	35	3.5	80	IN 252 OUT 150
	60	3.7			45	4	100	
FX-7.5	50	5.5	380	10.9	36	4.8	84	IN 252 OUT 150
	60	5.5			48	6	105	
FX-10	50	7.5	380	14.7	40	5	85	IN 252 OUT 150
	60	7.5			50	6.5	105	

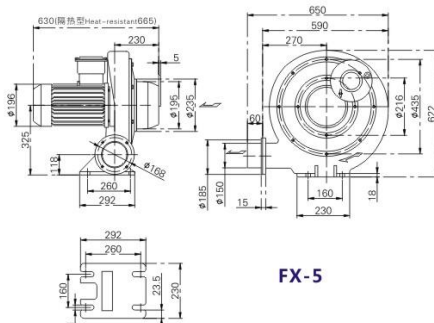
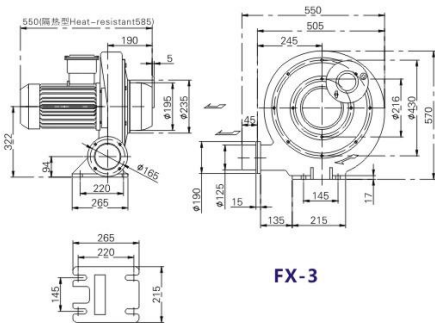
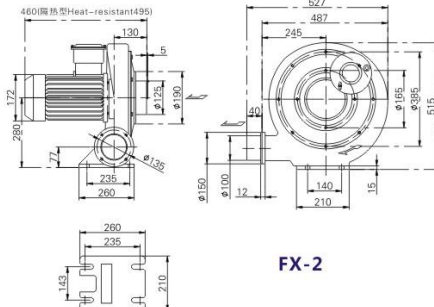
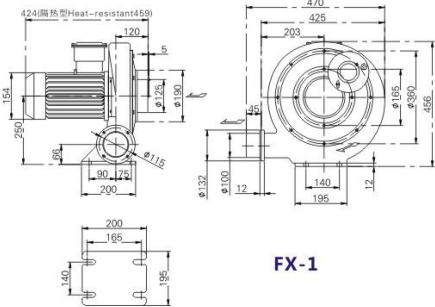
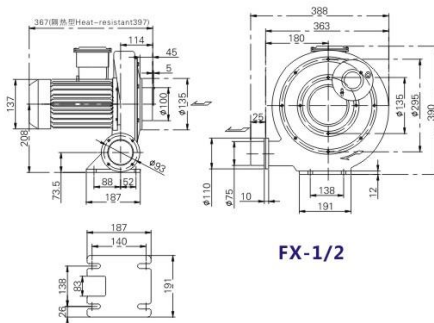
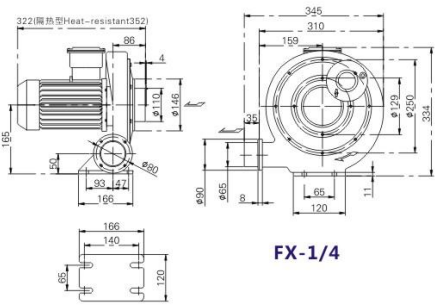
注：FX防爆型中压鼓风机 泵壳和叶轮均为铝合金材质 防爆等级可选EX-DIIBT4 EX-DIICT4 F级绝缘等级 防护等级IP55 IP56 IP65等 可定制耐高温 防腐处理。



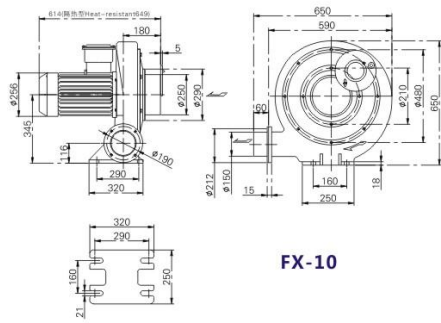
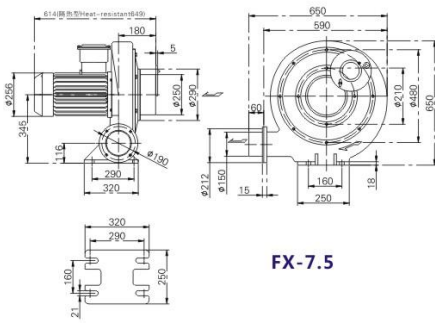
FX性能曲线表 PERFORMANCE CHART



FX尺寸图 DIMENSION(MM)



FX尺寸图 DIMENSION(MM)

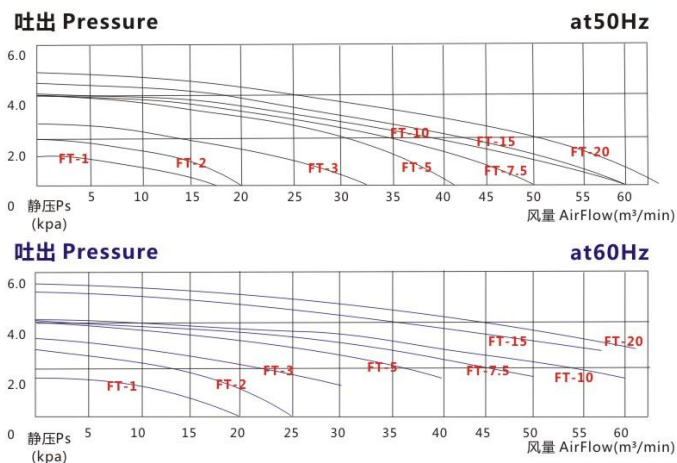


FT-防爆中压鼓风机
FT-explosion-proof medium pressure blower

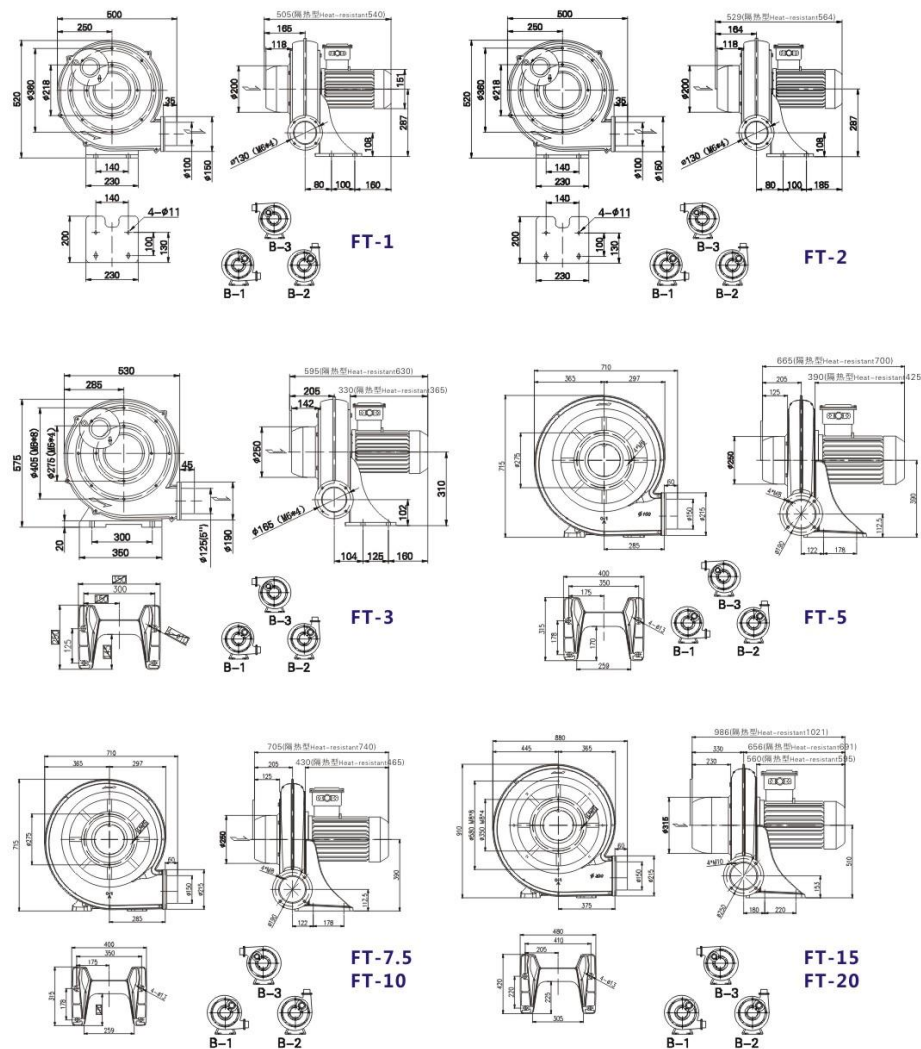
型号 TYPE	频率 Frequency Hz	功率 Power Kw	额定电压 Rated Voltage V	额定电流 Rated Current A	最大流量 Air Flow(max) m³/min	额定压力 Rated Pressure Kpa	噪音 Noise Level dB(A)	吸出风口口径 In/Out Let mm
FT-1	50	0.75	380	1.73	18	1.3	70	FT-1
	60	0.75			22	2.1	80	
FT-2	50	1.5	380	3.3	20	2	70	FT-2
	60	1.5			25	3	85	
FT-3	50	2.2	380	4.7	33	2.4	80	FT-3
	60	2.2			39	3.6	90	
FT-5	50	3.7	380	8	48	3.8	90	FT-5
	60	3.7			53	5.3	95	
FT-7.5	50	5.5	380	10.9	50	3.8	90	FT-7.5
	60	5.5			65	5.3	95	
FT-10	50	7.5	380	14.7	60	3.8	90	FT-10
	60	7.5			75	5.3	95	
FT-15	50	11	380	24.5	65	5	95	FT-15
	60	11			85	6.5	110	
FT-20	50	15	380	33	90	5	95	FT-20
	60	15			100	7	110	

注：FT防爆型中压鼓风机泵壳和叶轮均为铝合金材质 防爆等级可选EX-DIIBT4 EX-DIICT4 F级绝缘等级 防护等级IP55 IP56 IP65等 可定制耐高温 防腐处理。

FT性能曲线表
PERFORMANCE CHART



FX尺寸图 DIMENSION (MM)

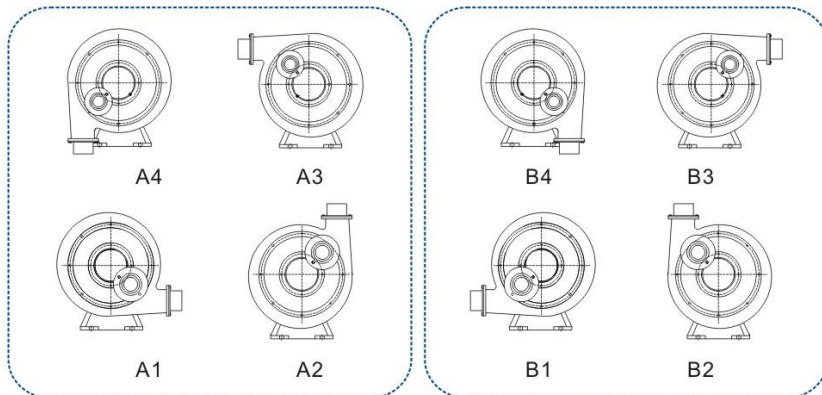


FX 防爆中压鼓风机

TB/PF可用A向和B向 CX仅用于B向

A向

B向



鼓风机常识 Blower common sense

风量计算

风量 (Q): 所谓风量 (又称体积流率) 指的是风管之截面积所通过气流之流速, 一般在使用上以下式来表示:

$$Q = 60VA$$

$$Q (\text{风量}) = m^3/\text{min}$$

$$V (\text{风速}) = m^3/\text{sec}$$

$$A (\text{截面积}) = m^2$$

压力常用换算公式

$$1Pa = 0.102mmAq$$

$$1mbar = 10.197mmAq$$

$$1mmHg = 13.6mmAq$$

$$1psi = 703mmAq$$

$$1Torr = 133.3pa$$

$$1Torr = 13.3mmAq$$

$$1Torr = 1.333mbar$$

常用单位换算表-风量

$$1m^3/\text{min}(\text{CMM}) = 1000l/\text{min} = 35.31\text{ft}^3/\text{min}(\text{CFM})$$

常用名词说明

(1) 标准状态: 为20°C, 绝对压力760mmHg, 相对湿度65%。此状态简称为STP, 一般在此状态下1m³之空气重量为1.2kg。

(2) 空气之绝对压力: 为当地大气压计所显示的大气压力再加上表压力之和, 一般用kgf/m²或mmaq来表示。

(3) 基准状态: 为0°C, 绝对压力760mmHg, 相对湿度0%, 此状态简称为NTP, 一般在此状态下1m³之空气重量为1.293kg。

压力

(1) 静压 (Ps): 所谓静压就是流体施加于器具表面且与表面垂直的力, 在风机中一般是由于重力与风扇之推动所造成, 在使用上常以kgf/m²或mmaq来表示, 且可以直接经过量测取得。而在风机之风管中, 任何方向之静压值皆为正值且有正负之分, 若静压值为正则表示风管目前正被胀大, 若静压值为负则表示风管目前正受挤压。

(2) 动压 (Pv):

所谓动压就是流体在风管内流动之速度所形成之压力, 在使用上常以kgf/m²或mmaq来表示。

(3) 全压 (PT):

所谓全压就是静压与动压之和, 在使用上常以kgf/m²或mmaq来表示。在风机中全压值是属固定, 并不会因风管缩管而产生变化。

风压与温度

温度变化会影响空气之密度。故在其他条件不变的情况下, 温度变化时, 其风压必须依下面之关系加以校正, 以获得标准情况下之风压值: $P = P_1(273 + U293)(\text{mmAq})$ 同样, 当空气密度变更时, 其风压值可作如下之修正: $P = P_1(1.2/\gamma)(\text{mmAq})$ 式中, 等号右侧之值如P₁、t、γ等之实测压力、温度与空气密度。

压力与速度的关系

多大的压力就固定有多大的速度, 不可能压力不变速度会变, 同理, 不可能速度不变压力会改变。

$$Pv = rX(V^2/2g)$$

$$Pv: \text{动压} (\text{mmAq})$$

$$r: \text{空气比重} (\text{kg}/\text{m}^3)$$

$$g: \text{重力加速度} (\text{m}/\text{s}^2) = 9.8$$

$$V: \text{风速} (\text{m}/\text{s})$$

