

型号 : SBT811A



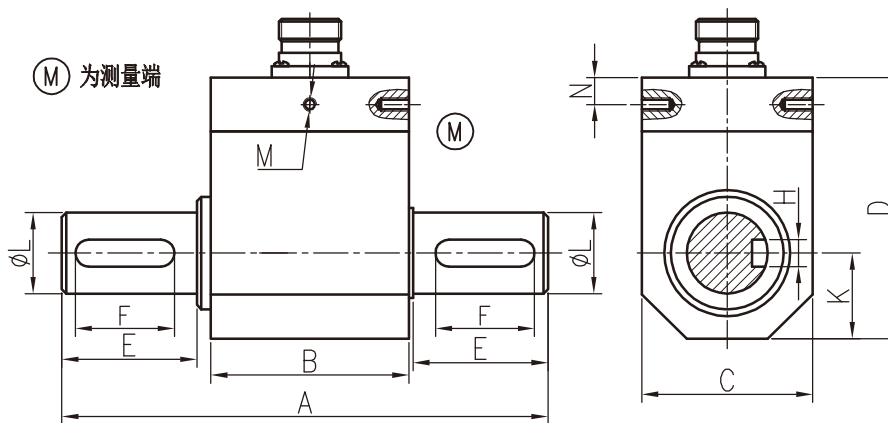
特点与用途/Features&Application

电阻应变片为敏感元件和集成电路构成的一体产品，精度高，性能稳定可靠。输出正反转矩信号，两端为键连接，转速可达1800转/分钟。

Resistance strain gauge for sensitive components and integrated circuit consisting of integrated products, high precision, stable and reliable performance.

Output and reversing torque signals, both ends for key links, speed up to 1800 RPM.

安装尺寸/Mounting Dimension



量程	A	φL	B	C	D	E	F	K	N	M	H
100NM	108	18	44	38	58	30	22	19	6	3-M3	6
500NM	143	28	56	53	73.5	40	30	27	6	2-M3	8
1000NM	221	50	97	90	125	60	55	45	33	4-M4	16

技术参数/Technical Parameters

参数	Specifications	技术指标/Technique
传感器量程	Rated load	0-10, 20, 30, 50, 100, 200, 500, 1000NM
灵敏度	Rated output	1.5±10% mV/V
零点输出	Zero balance	±2% F.S.
非线性	nonlinear	0.1, 0.3% F.S.
滞后	lag	≤±0.05% F.S.
重复性	repetitive	≤±0.05% F.S.
蠕变	Creep	≤±0.03% F.S./30min
温度灵敏度漂移	Temp. effect on span	±0.03% F.S./10°C
零点温度漂移	Temp. effect on zero	±0.03% F.S./10°C
输入电阻	Input resistance	750±10 Ω
输出电阻	Output resistance	700±5 Ω
绝缘电阻	Insulation resistance	≥5000MΩ/100VDC
激励电压	Excitation voltage	10~15VDC
温度补偿范围	Compensated temp range	-10~60°C
工作温度范围	Use temp range	-20~80°C
安全超载	Safe overload	150% F.S.
极限过载范围	Ultimate overload	200% F.S.
电缆线尺寸	Cable size	φ5.2*3m
电气连接	Electrical connections	红/E+, 黑/E-, 绿/S+, 白/S-